

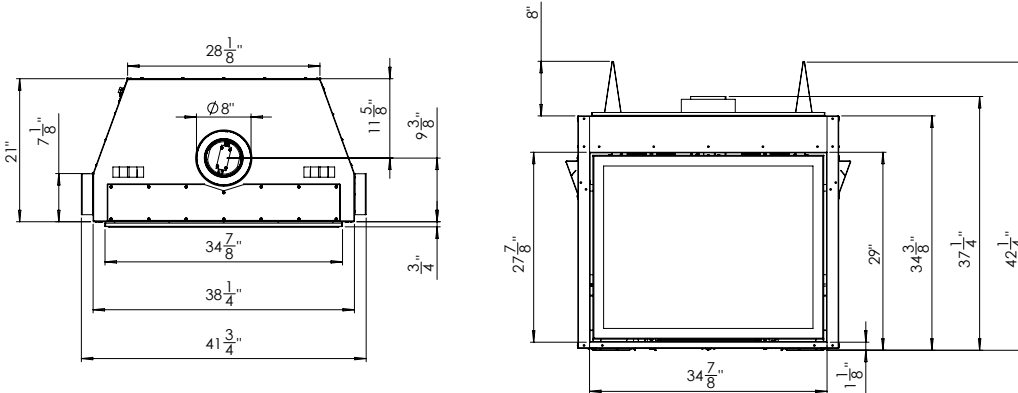


TOFINO z35

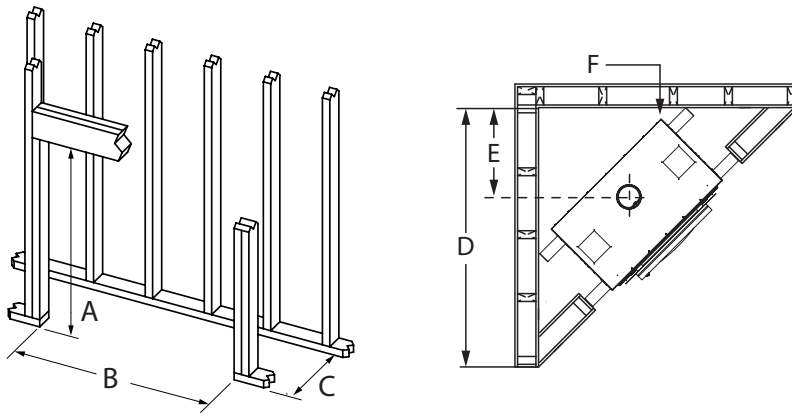
NG 35,000 BTU High – P.4.1 71.3%
 LP 26,000 BTU High – P.4.1 71.3%



UNIT DIMENSIONS



FRAMING DIMENSIONS



CLEARANCES TO COMBUSTIBLES

Venting clearance to combustibles	2 1/2"
Clearance above unit	8"
Center of the unit to a side wall	20"
Hearth in front of unit	0"
Side of unit in chase + back	1 3/4"

MANTEL CLEARANCE FROM FLOOR

Mantel Size	Standard Unit	With Cool Wall Kit
1"	36"	32"
6"	42"	32"
9"	48"	32"

A	43 3/8"
B	41 3/4"
C	23 1/4"
D	53 5/8"
E	20"
F	2"