

# TN10 WOOD STOVE

Designed to heat 300 - 600 sq. ft. spaces



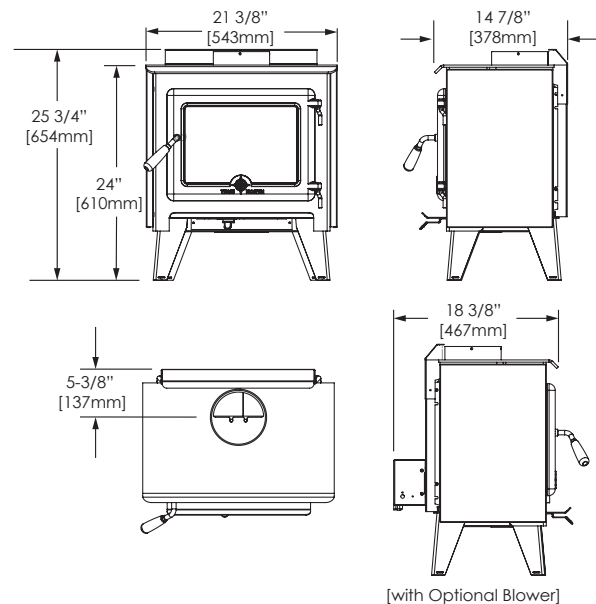
The TN10 woodstove offers you the best in compact economy. Engineered with an entry-level tube combustion system, this little performer is a great choice for occasional use rooms and small spaces requiring shorter burn times.

## STANDARD FEATURES

- Reliable, durable non-catalytic technology
- Tube combustion system
- Air wash system for super clean ceramic glass
- Inside and outside combustion air capable
- Boost air
- Heavy plate-steel top
- Mobile home approved
- Single-Lever Air Control
- EPA Certified
- Cast iron door
- Steel leg base
- Pre-assembled for quick and easy installation

## PERFORMANCE OPTIONS

- 60 cfm convection blower



Heat Output Cord Wood	30,000 BTU
Heat Output EPA (HHV)	13,100-17,600 BTU
Efficiency (LHV)	78.3%
Efficiency (B415)	73%
Emissions	1.4g/hr.
Firebox Size	0.8 cu.ft.
Log Size (max.)	12 in.