



TOWN & COUNTRY
FIREPLACES™

MODEL
TC36AR
SERIES B
ARCHED DIRECT VENT FIREPLACE
INSTALLATION SUPPLEMENT

Fig # 1

FIREPLACE DIMENSIONS

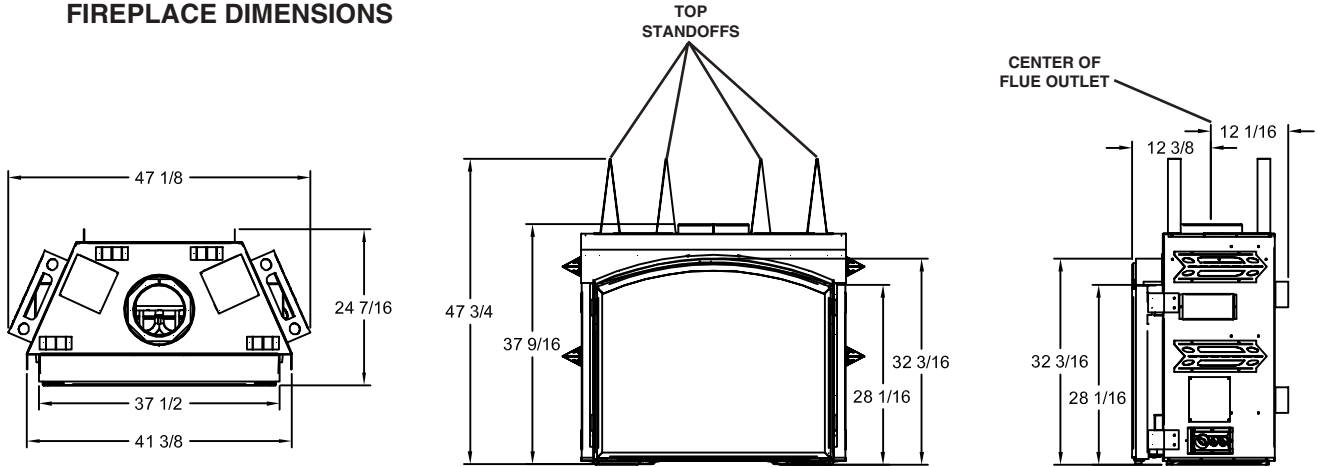


Fig. # 2 **OPTIONAL STEEL STUD FRAMING KIT DIMENSIONS (TC36.BRFRKITA)**

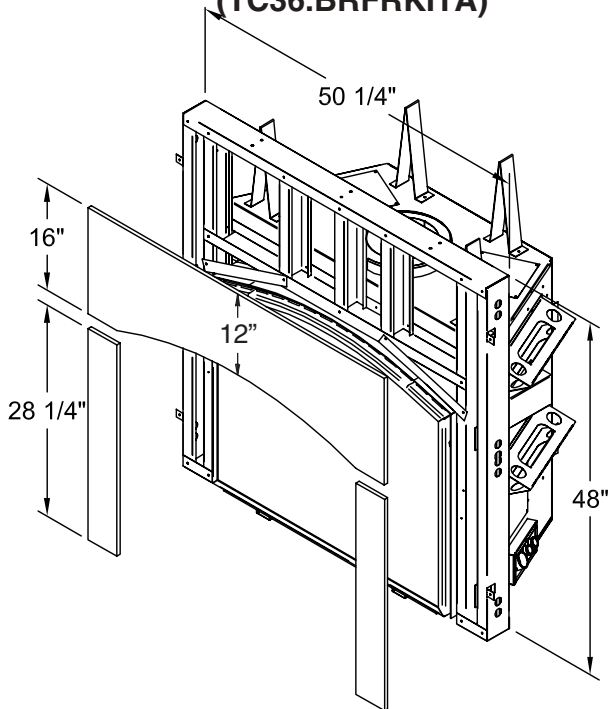
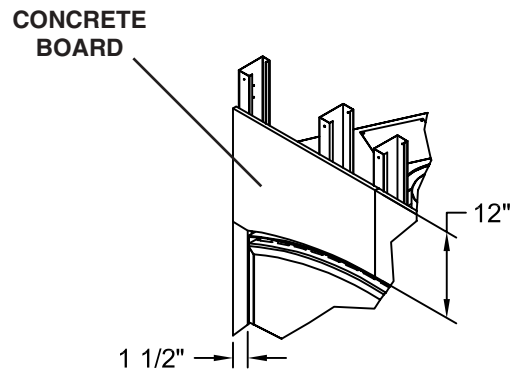


Fig. # 3

MINIMUM CONCRETE BOARD DETAIL



Concrete board (or other non-combustible material) must extend 12" above the center of the arch and 1 1/2" to the sides of the framing edges.

BRICK PANEL MODIFICATION

The Brick Panels must be installed for safe operation. Do not use the fireplace without panels. Unpack and inspect all panels.

The side panels need to be trimmed to fit this unit. Using a common utility knife, cut along the impression on the back of the panels (upper front corner), see Fig #4. Use caution, as material is very fragile. Once the panels have been modified, install as per "Brick Panel Installation" section in the manual.

Fig. # 4

