



made for fire made for life

SCAN 5-2

INSTRUCTIONS FOR INSTALLATION AND USE



Tested &
Listed by



Beaverton
Oregon USA

OMNI-Test Laboratories, Inc.

Save these instructions

January 2005

KROG IVERSEN & CO. A/S - 5492 VISSENBJERG - DENMARK

Table of Contents:

1. INTRODUCTION3
 CAUTIONS:4

2. INSTALLATION5
 Pre Installation Check List:.....5
 The floor6
 Ceiling height:.....6
 Combustible Wall Clearance for top vent installation:7
 Combustible Wall Clearance for rear vent installation:7
 Draft Requirements:.....8
 Chimney Installation:.....8
 Factory Built Chimney.....8
 Masonry Chimney.....8
 Top vent installation9
 Chimney connection10
 Rear vent installation:11
 Chimney height requirements:13

3. INSTRUCTIONS FOR USE14
 Ash Drawer:14
 Ash Grate:.....14
 Baffle Plates:.....14
 Glass:14
 Smoke Detectors:.....14

Room Ventilation:14
 Fire Bricks:14
 Ceramic Packing Cord:15
 Protected Wall Reduced Clearances:15
 Combustion Air Supply:15
 Draft Requirements:.....15

4. OPERATION.....16
 Fueling the Stove:16
 To start a fire:.....16
 Refueling:17

5. MAINTENANCE.....18
 Ash Disposal and Removal:18
 Cleaning of Stove:18
 Replacement part list:21
 Creosote Formation and the Need for Removal:.....21
 Door Glass:21

6. TROUBLESHOOTING22

7. WARRANTY23

We welcome you as a new owner of a SCAN wood stove. In purchasing a SCAN stove you have joined the growing ranks of concerned individuals whose selection of energy systems reflects both a concern for the environment and aesthetics. The SCAN stove is one of the finest home wood stoves in the world over. This manual will explain the installation, operation and maintenance of the SCAN stove. Please familiarize yourself with the owner's manual before operating your stove and save the manual for future reference. Included are helpful hints and suggestions that will make the operation and maintenance of your new stove an easier and more enjoyable experience. We offer our continued support and guidance to help you achieve the maximum benefit and enjoyment from your SCAN stove.

1. INTRODUCTION

PLEASE READ THIS ENTIRE MANUAL CAREFULLY BEFORE YOU INSTALL AND USE YOUR NEW SCAN STOVE, FAILURE TO FOLLOW INSTRUCTIONS MAY RESULT IN PROPERTY DAMAGE, BODILY INJURY OR LOSS OF LIFE. THIS MANUAL CONTAINS IMPORTANT USER INFORMATION. KEEP THIS MANUAL WITH THE STOVE AFTER INSTALATION IS COMPLETE.

Safety and environmental testing.

SCAN 5 stoves have been tested by OMNI-Test Laboratories, Inc. of Beaverton, Oregon, and are safety listed by OMNI to UL 1482, ULC-S627 and EPA certified.

Important information:

No other SCAN stove has the same registration number as yours. The registration number is fixed to the stove. In case of complaints we request that you have the registration number.

Items included

In the SCAN stove you will find a service box containing the following items:

- 1 oven mitten
- 1 handle to operate the shake grate
- 1 set of fittings for the flue collar
- 1 set of screws and hexagon spanners
- 1 bag containing fire starters for the first lightning
- 2 plastic plugs for covering the transportation holes in the wood compartment.

CAUTIONS:

KEEP ASH DRAWER CLOSED DURING FIRING IN THIS STOVE, ASH DRAWER MAY BE OPENED FOR A MAXIMUM OF 5 MINUTES DURING FIRE STARTUP. USE A METAL CONTAINER WITH A TIGHT FITTING LID TO DISPOSE OF ASHES.

NEVER USE GASOLINE, GASOLINE-TYPE LANTERN FUEL, KEROSENE, CHARCOAL LIGHTER FLUID, OR SIMILAR LIQUIDS TO START OR "FRESHEN UP" A FIRE IN THIS STOVE. KEEP ALL SUCH LIQUIDS WELL AWAY FROM THE STOVE WHILE IT IS IN USE.

DO NOT BURN GARBAGE OR FLAMMABLE FLUIDS SUCH AS GASOLINE, NAPHTHA OR ENGINE OIL.

THIS STOVE IS HOT WHILE IN OPERATION, DO NOT TOUCH, KEEP CHILDREN AWAY. CONTACT MAY CAUSE SKIN BURNS. USE GLOVES WHEN STOKING THE FIRE.

DO NOT CONNECT THIS STOVE TO A CHIMNEY FLUE CONNECTED TO ANOTHER STOVE OR APPLIANCE.

DO NOT CONNECT TO ANY AIR DISTRIBUTION DUCT OR SYSTEM.

DO NOT INSTALL IN A MOBILE HOME.

BE SURE TO ALLOW AN ADEQUATE SOURCE OF FRESH AIR INTO THE ROOM WHERE THE STOVE IS OPERATING (SEE ROOM VENTILATION PAGE 12 AND COMBUSTION AIR SUPPLY PAGE 13).

DO NOT OPERATE THE STOVE WITHOUT THE FIREBOX BAFFLE PLATES PROPERLY INSTALLED.

BUILD FIRES DIRECTLY UPON THE HEARTH INSIDE THE STOVE. DO NOT USE GRATES, IRONS OR ANY OTHER METHOD TO ELEVATE THE FIRE.

THE SCAN STOVES ARE NOT USABLE FOR FIREPLACE INSTALLATION.

2. INSTALLATION

PRECAUTION

IF YOUR SCAN STOVE IS NOT PROPERLY INSTALLED, OPERATED AND MAINTAINED, A HOUSE FIRE MAY RESULT. FOR YOUR SAFETY, FOLLOW ALL INSTALLATION, OPERATION AND MAINTENANCE DIRECTIONS. CONTACT YOUR LOCAL BUILDING OFFICIALS ABOUT RESTRICTIONS AND INSTALLATION REQUIREMENTS IN YOUR AREA.

Pre Installation Check List:

Before you begin an installation, review your plans, check to see:

1. Your stove and chimney connector will be far enough from combustible material to meet all clearance requirements.
2. The floor protection is large enough and is constructed properly to meet all requirements.
3. You have all necessary permits from local authorities. Your local building official is the final authority for approving your installation as safe and determining that it meets all local and state building and safety codes.

The metal label permanently attached to the back of every SCAN stove shows that it has been tested to current UL and ULC safety standards, and gives the name of the testing laboratory. Clearance and installation information is also printed on the label. Local authorities will generally accept the label as evidence that, when the stove is installed according to the information on the label and in this manual, the installation meets codes and can be approved.

Codes vary in different areas. Before starting the installation, review your plans with the local building authority. Your local dealer can provide any additional information needed.

For any unresolved questions about installation in the USA, refer to the national Fire Protection Association's publication ANSI/NFPA 211 *Standard for Chimneys, Fireplaces, Vents and Solid Fuel Burning Appliances*. For installation in Canada, refer to CSA CAN-B365, *Installation Code for Solid Fuel Burning Applications and Equipment*. These standards are the basis for many national codes. They are nationally recognized and are accepted by most local authorities. Your local dealer or your local building official may have a copy of these regulations.

WARNING: Check all local building and safety codes before installation. The installation instructions and appropriate code requirements must be followed exactly and without compromise. Alterations to the stove are not allowed. Do not connect the stove to a chimney system serving another stove, appliance or any air distribution duct. Failure to follow these instructions will void the manufacturers warranty.

NOTE: If you plan to vent your stove into an existing masonry chimney, have the chimney inspected by a local fire marshal or qualified installer. Remember that the chimney and its location on the roof heavily influence the stove performance. An oversized flue may not provide effective draught and a flue liner may be required. (Observe draft requirements). Consult your dealer or qualified installer before final selection is made.

We advise you to leave enough room to enable cleaning between the stove and the wall.

The floor

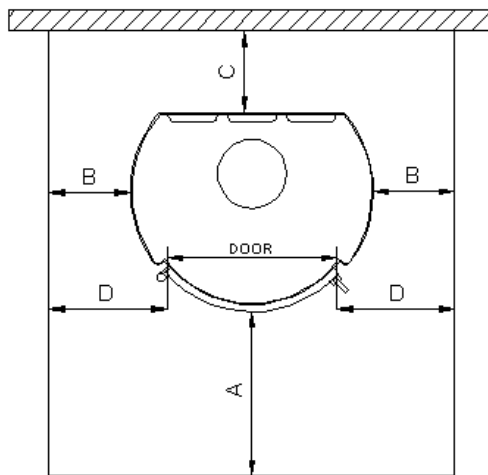
One of the main necessary precautions when installing a wood stove is to leave sufficient space between the stove (top, sides, back, front, and under stove pipes) and any other material that can catch fire.

If the stove is to be installed on a combustible floor, it must be placed on a non-combustible hearth pad, which extends 8" (200mm measured from the legs) beyond the stove sides and back, and 18" (455mm measured from side and back panels) to the front

NOTE: the floor protection need's only to be a standard ember protection.

Floor protection	A	B	C	D
USA	16"			8"
Canada	18"	8"	8"	

Fig 1.



In a rear vent installation the floor protection must also extend under the stove pipe a minimum of 2" (50mm) beyond either side of the pipe.

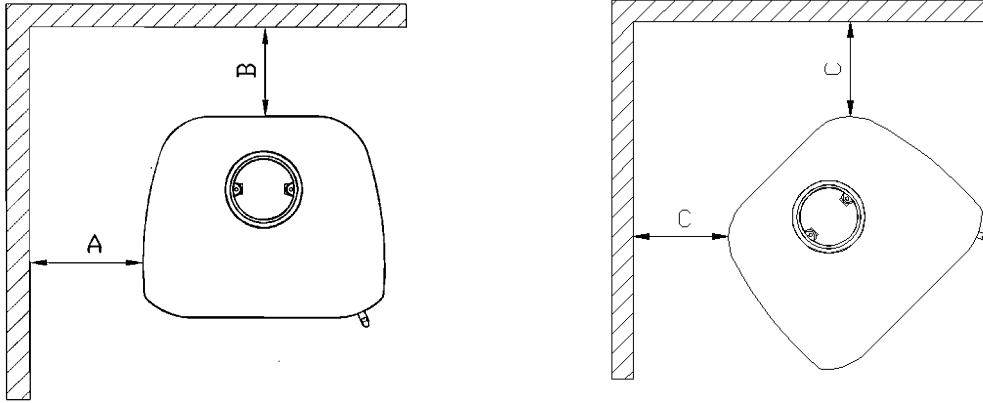
Ceiling height:

Do not install in an alcove or confined space and do not install in a room with a ceiling high below 7' (210 cm)

Combustible Wall Clearance for top vent installation:

If the stove is to be placed at side and back walls of combustible materials the following clearances must be kept

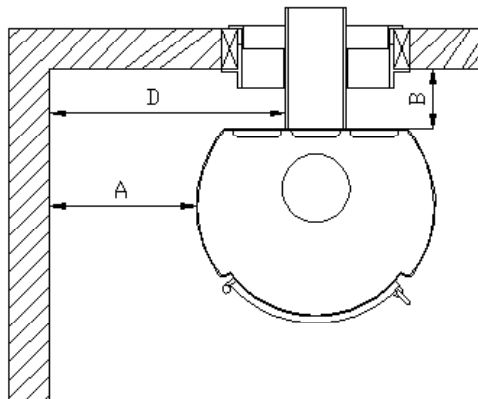
Stove model	A	B	C
All models	365 mm 14 inch	150 mm 6 inch	150 mm 6 inch



Combustible Wall Clearance for rear vent installation:

If the stove is to be placed at side and back walls of combustible materials the following clearances must be kept:

Stove model	A	B	D
All models	365 mm 14 inch	150 mm 6 inch	535 mm 21"



Refer to the manufacturer’s instructions concerning installation of listed connector pipe, wall thimble and chimney

You have to use a double wall connector pipe

Refer to the manufacturer’s instructions concerning installation of listed connector pipe, wall thimble and chimney

Draft Requirements:

Scan 5.2 is only one component of the total system. The venting system is equally important for achieving the required flow of combustion air to the firebox and for safely removing unwanted combustion byproducts from the appliance. If the venting system's design does not promote these ends, the system may not function properly. Poorly functioning venting systems may create performance problems as well as be a safety hazard (i.e. an oversized chimney may result in less than optimum performance. Installations into a large, masonry chimney may require a liner to improve performance). A draft test should read greater than .04" W.C. (Inches Water Column) and less than .08" W.C. The table below shows dimension of connection piece and data for draft requirements for the stove:

With Closed Doors				
Stove	Connection piece Ø mm / inch	Chimney draught Pa; inch	Efficiency in %	BTU
All models	150 mm 6" inch	13 Pa 0.05" WC	63%	11,800 - 26,500

The chimney draught depends on the weather conditions. In stormy weather, you may reduce the chimney draught by closing the damper in the smoke pipe (if a damper has been installed). If the chimney draught is strong, the combustion air supply must be reduced additionally.

Chimney Installation:

DO NOT CONNECT THIS UNIT TO A CHIMNEY FLUE SERVING ANOTHER APPLIANCE. DO NOT CONNECT TO ANY AIR DISTRIBUTION DUCT OR SYSTEM.

SCAN 5.2 is listed for installation as a vertically top or rear vented stove using a listed class A (UL103HT) for Canada (CAN/ULC-S629) factory built chimney exiting through the ceiling/attic/roof. The inside diameter of the chimney, connector pipe must not be smaller than 6" (152 cm) diameter. Single wall 24 gauge MSG (0.58 – 0.71 mm) and adapter must not be smaller than 6" (152 mm), may be used in the room where the stove is installed, follow the chimney manufacturer's instruction for installation of chimney and chimney adapter. In Canada, where passage through wall, or partition of combustible construction is desired, the installation shall conform to CAN/CSA B365.

Factory Built Chimney

When a metal prefabricated chimney is used, the manufacturer's installation instructions must be followed. You must also purchase (from the same manufacturer) and install the ceiling support package or wall pass-through and "T" section package, fire stops (where needed), insulation shield, roof flashing, chimney cap, etc. Maintain proper clearance to the structure as recommended by the manufacturer. The chimney must be the required height above the roof or other obstructions for safety and proper draft operation. See page 11 for chimney termination requirements.

Masonry Chimney

Ensure that a masonry chimney meets the minimum standards of the National Fire Protection Association (NFPA) by having it inspected by a professional. Make sure there are no cracks, loose mortar or other signs of deterioration and blockage. Have the chimney cleaned before the stove is installed and operated. When connecting the stove through a combustible wall to a masonry chimney, special methods are needed. Refer to Combustible Wall Chimney Connector Pass-Throughs on page 10 and 11.

Top vent installation

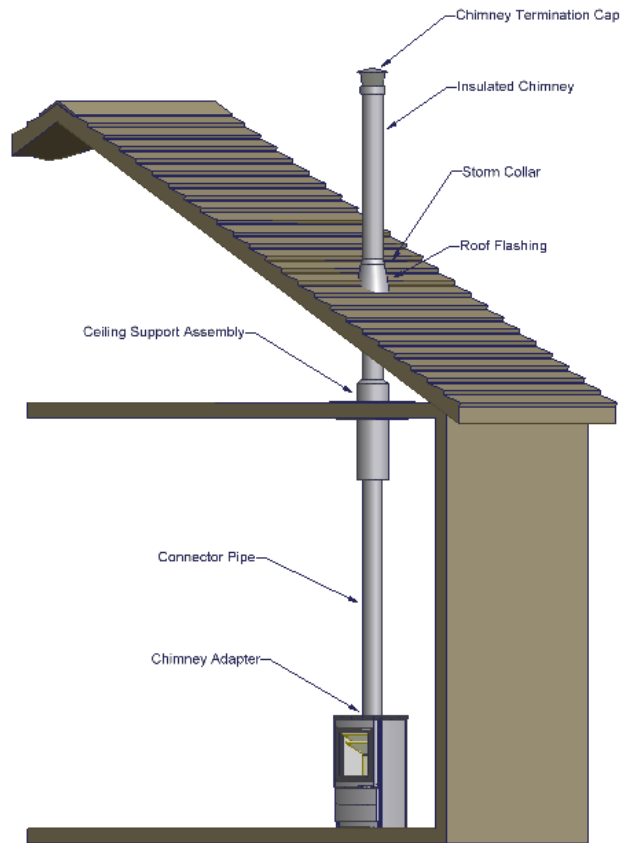
Mounting of the flue collar for top vent.

Turn the flue collar around and fix the brackets under the top plate.

Tighten the two screws with the delivered hexagon spanner (tighten well)

Required installation components:

- Chimney cap
- Insulated chimney
- Storm collar
- Roof flashing
- Ceiling support box or joist shield/fire stop spacer
- Chimney connector pipe
- Chimney connector adapter



Chimney connection

The chimney connector is a single walled pipe used to connect the stove to the chimney. For use with the SCAN woodstoves the chimney connector **MUST** be 6" in diameter, with a minimum thickness of 24 gauge black steel or 26 gauge blued steel.

Aluminium and galvanized steel pipe is not acceptable for use with the SCAN woodstove. These materials cannot withstand the extreme temperatures of a wood fire and can give off toxic fumes when heated.

Do not use the connector pipe as a chimney.

Each chimney connector or stove pipe section must be installed to the stove flue collar and to each other with the male (crimped) end toward the stove. See fig 5.

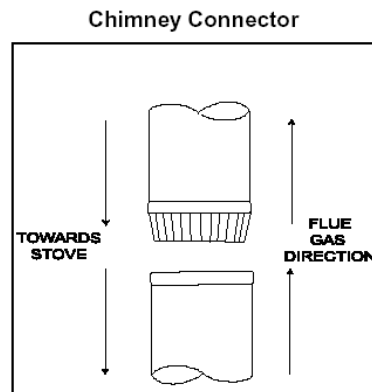


Fig. 5

This prevents any amount of condensed or liquid creosote from running down the outside of the pipe or the stove top. All joints, including the flue collar connection must be secured with three sheet metal screws to ensure that the sections do not separate.

For the best performance the chimney connector should be as short and direct as possible, with no more than two 90° elbows. The maximum horizontal run is 36" and a recommended total length of stove pipe should not exceed 10 feet. Always slope horizontal runs upward $\frac{1}{4}$ " per foot toward the chimney.

No part of the chimney connector may pass through an attic or roof space, closet or other concealed space, or through a floor ceiling. All sections of the chimney connectors must be accessible for cleaning. Where passage through a wall or partition of combustible construction is desired, the installation must conform with NFPA 211 or CAN/CSA-B365, and is also addressed in this manual.

Rear vent installation:

For venting into a masonry or a back standing steel chimney through the top vent the top horizontal portion of a single wall connector pipe can be located not closer than 18" below a combustible ceiling.

From the factory the stove is prepared for top mounting of the flue collar, but all SCAN stoves have an optional flue outlet, therefore the flue collar can be fitted either on the top or at the rear as required.

Mounting the flue collar for rear outlet

Remove the cover plate on the rear of the stove

Remove the inner cover plate (cooking ring) by means of the hexagon spanner.

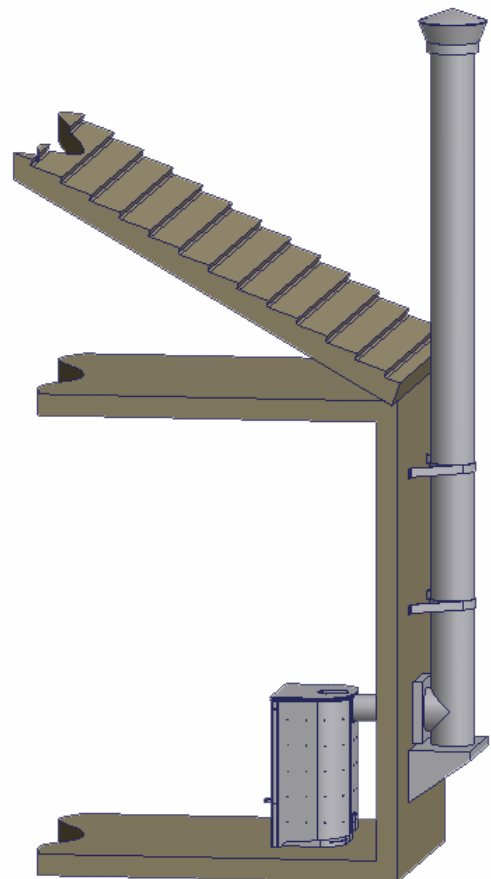
The flue collar is fitted from the outside into the discharge hole of the firebox in such a way that the bracket is located on the inside.

Place the cooking ring on top so that this is level with the top plate.

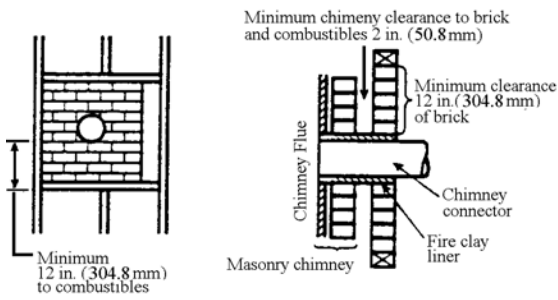
Rear venting into a masonry or steel chimney through a thimble or other vent configuration than described here must follow local codes or NFPA 211 or CAN/CSA-B365 guidelines and methods.

Required installation components:

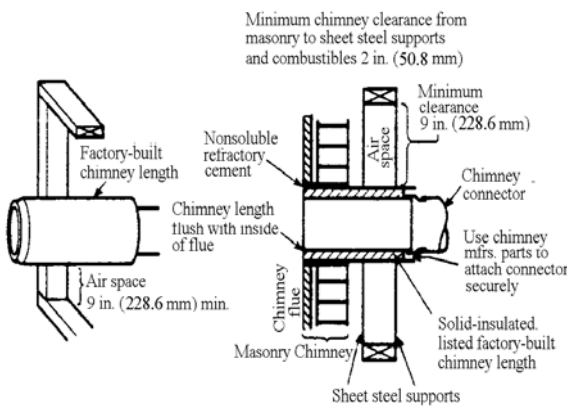
- Chimney cap
- Insulated chimney
- Tee section
- Tee support bracket
- Chimney connector pipe
- Wall thimble
- Wall strap



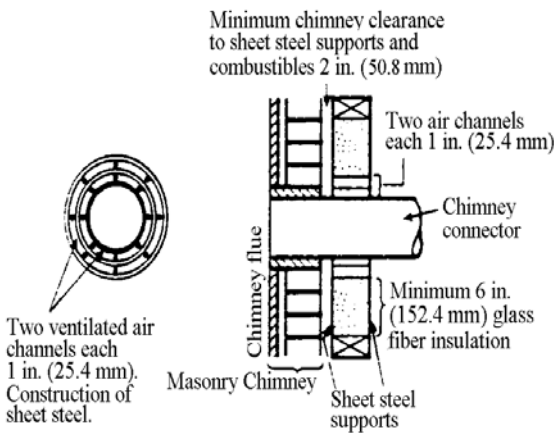
Combustible Wall Chimney Connector Pass-Throughs.



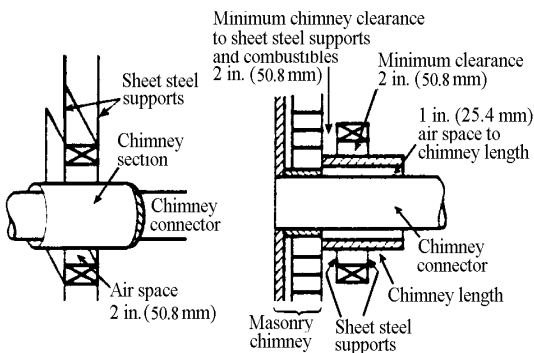
Method A. 12" (304.8 mm) Clearance to Combustible Wall Member: Using a minimum thickness 3.5" (89 mm) brick and a 5/8" (15.9 mm) minimum wall thickness clay liner, construct a wall pass-through. The clay liner must conform to ASTM C315 (Standard Specification for Clay Fire Linings) or its equivalent. Keep a minimum of 12" (304.8 mm) of brick masonry between the clay liner and wall combustibles. The clay liner shall run from the brick masonry outer surface to the inner surface of the chimney flue liner but not past the inner surface. Firmly grout or cement the clay liner in place to the chimney flue liner.



Method B. 9" (228.6 mm) Clearance to Combustible Wall Member: Using a 6" (152.4 mm) inside diameter, listed factory-built Solid-Pak chimney section with insulation of 1" (25.4 mm) or more, build a wall pass-through with a minimum 9" (228.6 mm) air space between the outer wall of the chimney length and wall combustibles. Use sheet metal supports fastened securely to wall surfaces on all sides, to maintain the 9" (228.6 mm) air space. When fastening supports to chimney length, do not penetrate the chimney liner (the inside wall of the Solid-Pak chimney). The inner end of the Solid-Pak chimney section shall be flush with the inside of the masonry chimney flue, and sealed with a non-water soluble refractory cement. Use this cement to also seal to the brick masonry penetration.



Method C. 6" (152.4 mm) Clearance to Combustible Wall Member: Starting with a minimum 24 gage (.024" [.61 mm]) 6" (152.4 mm) metal chimney connector, and a minimum 24 gage ventilated wall thimble which has two air channels of 1" (25.4 mm) each, construct a wall pass-through. There shall be a minimum 6" (152.4 mm) separation area containing fiberglass insulation, from the outer surface of the wall thimble to wall combustibles. Support the wall thimble, and cover its opening with a 24-gage minimum sheet metal support. Maintain the 6" (152.4 mm) space. There should also be a support sized to fit and hold the metal chimney connector. See that the supports are fastened securely to wall surfaces on all sides. Make sure fasteners used to secure the metal chimney connector do not penetrate chimney flue liner.



Method D. 2" (50.8 mm) Clearance to Combustible Wall Member: Start with a solid-pak listed factory built chimney section at least 12" (304 mm) long, with insulation of 1" (25.4 mm) or more, and an inside diameter of 8" (2 inches [51 mm] larger than the 6" [152.4 mm] chimney connector). Use this as a pass-through for a minimum 24-gage single wall steel chimney connector. Keep solid-pak section concentric with and spaced 1" (25.4 mm) off the chimney connector by way of sheet metal support plates at both ends of chimney section. Cover opening with and support chimney section on both sides with 24 gage minimum sheet metal supports. See that the supports are fastened securely to wall surfaces on all sides. Make sure fasteners used to secure chimney flue liner

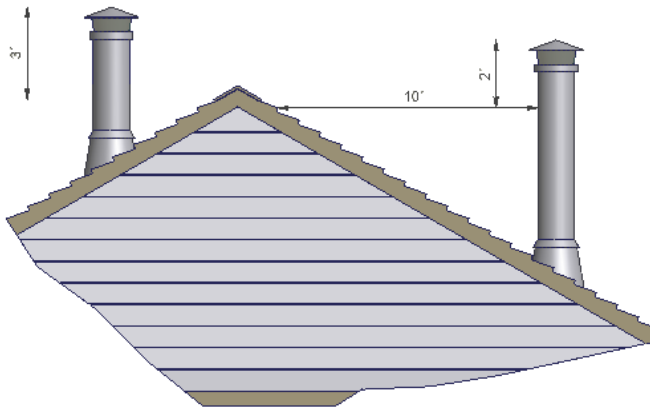
NOTES:

1. Connectors to a masonry chimney, excepting method B, shall extend in one continuous section through the wall pass-through system and the chimney wall, to but not past the inner flue liner face.
2. A chimney connector shall not pass through an attic or roof space, closet or similar concealed space, or a floor, or ceiling.

Chimney height requirements:

The chimney must extend 3 feet above the level of roof penetration and a minimum of 2 feet higher than any roof surface within 10 feet. Check with your local building officials for additional requirements for your area.

The condition of the chimney and height is very important; we suggest a total minimum height of 15' (4,5m). Measured From the floor level on which the stove is installed.



3. INSTRUCTIONS FOR USE

Ash Drawer:

The ash drawer located below the fuel door is designed to make cleaning easier by containing the ashes in a removable drawer. Replace ceramic packing cord as necessary to ensure a tight seal.

CAUTION: Do not operate the stove with the ash drawer open or ajar, as this will produce extreme temperatures within the stove (over-firing) as could result in a house fire. Damage caused from over-firing is not covered under the manufacturers limited warranty

Ash Grate:

Above the ash drawer, located in the floor of the firebox is a rotating ash grate to facilitate transferring ashes from the firebox into the ash drawer. To operate this grate, pull and push the loop handle on the right hand side of the ash drawer face in and out several times. Operate stove only with the loop handle pushed all the way in.

Baffle Plates:

The SCAN stove has three baffle plate that must be installed in the upper firebox. When in the proper position, the rear edges of the baffle plates should touch the back wall of the firebox. See the maintenance section of this manual for additional information on removing baffle plates for cleaning and for drawings of fire box inclusive of baffle plates of the stove (see page 16-17).

Ceramic baffle plates are delivered with all SCAN stoves. When mounting a baffle plate place it according to the description in section 5: Removing Baffle for Cleaning. Make sure that it is placed symmetrically in the stove, i.e. with even amounts of free air space on each side.

We recommend that you treat the ceramic baffle plates (Skamol) with caution because it is a delicate material (not covered by the limited warranty). It is extremely heat resistant.

Glass:

The glass is a heat resistance ceramic glass that can withstand continuous temperatures up to 1390°F (754°C). This temperature is well beyond the temperatures in which you operate your stove.

This stove is designed to provide a flow of air over the inside of the glass. This air combined with high temperatures helps keep the glass optimally clean when the combustion air intake is fully opened. When operating the stove on low for extended periods of time, the glass may become dirty. A short, hot fire will help clean off much of the normal soot buildup (see section 6: Troubleshooting). In order to keep glass soot free the moisture content of the wood must be between 15 and 18% on a wet basis.

Smoke Detectors:

Since there are always several potential sources of fire in any home, we recommend installing smoke detectors. Do not install them too close to the stove as heat can activate them.

Room Ventilation:

During the combustion, oxygen taken from the room air is used. In rare cases it may be necessary to mount a fresh-air duct on the stove. Please refer to your local building codes.

Fire Bricks:

Little cracks may arise in the firebricks because of a minor content of water, especially if the stove is overheated during the first fire. These cracks do not influence the workability of the stove and are not covered by the limited warranty.

Ceramic Packing Cord:

The stoves are equipped with ceramic packing cord to ensure the tightness of the doors and the glasses. This packing cord is a wearing part and must be changed from time to time. Please consult your authorized dealer in this case.

Protected Wall Reduced Clearances:

Local codes in some areas will allow reduced clearances when the stove is installed adjacent to a protected wall system. Your local building official must approve the variance. Check your local building codes or with a qualified installer.

Combustion Air Supply:

Provide for an adequate supply of air for combustion. Proper ventilation is essential when using a solid fuel-burning appliance. The combustion process uses oxygen from inside the dwelling and if there is not adequate make-up air (such as in newer homes which are well insulated and weather tight), it may be difficult to obtain an adequate draft in your chimney (caused by a shortage of air in the house). To correct this, it may be necessary to crack a window on the windward side of the dwelling, or provide combustion air to a nearby floor/wall vent (fresh air duct), or directly to the stove.

Draft Requirements:

The SCAN stove is only one component of the total system. The venting system is equally important for achieving the required flow of combustion air to the firebox and for safely removing unwanted combustion byproducts from the appliance. If the venting system's design does not promote these ends, the system may not function properly. Poorly functioning venting systems may create performance problems as well as be a safety hazard (i.e. an oversized chimney may result in less than optimum performance. Installations into a large, masonry chimney may require a liner to improve performance). A draft test should read greater than .04" W.C. (Inches Water Column) and less than .08" W.C. The table below shows dimension of connection piece and data for draft requirements for the stove:

With Closed Doors				
Stove	Connection piece Ø mm / inch	Chimney draught Pa; inch	Efficiency in %	BTU
All models	150 mm 6" inch	13 Pa 0.05" WC	63%	11,800 - 26,500

The chimney draught depends on the weather conditions. In stormy weather, you may reduce the chimney draught by closing the damper in the smoke pipe (if a damper has been installed). If the chimney draught is strong, the combustion air supply must be reduced additionally.

4. OPERATION

WARNING:

DO NOT USE GASOLINE, LIGHTER FLUID, KEORSENE OTHER FLAMMABLE LIQUIDS TO START OR FRESHEN A FIRE IN THE STOVE KEEP ALL SUCH LIQUIDS WEEL AWAY FROM THE STOVE WHILE IT IS IN USE.

Fueling the Stove:

Your SCAN freestanding wood stove is designed for burning dry natural well-seasoned wood only (If your wood supply is not seasoned, ask your authorized SCAN dealer where to obtain seasoned fuel in your area). Wood should be stored in a dry place for at least *two years* before being used for fuel. Some trees have very high moisture content and it is necessary to thoroughly dry the wood. Cutting and splitting the wood can speed up the drying process, then stacking it with both ends of the stick exposed. More drying occurs through the end than through the sides even when the wood is split. We recommend that the moisture content of the wood is between 15-18% on a wet basis.

Green or uncured wood does not work well as fuel, and can cause increased creosote buildups. The value of green wood as a source of heat is limited. Do not overload, use kindling wood, or mill ends for primary fuel as this may cause over-firing.

Do not store wood within the installation clearances or within the space required for charging and ash removal.

Although feeding excessive amounts of fuel to the stove should be avoided, it is important to supply it with sufficient fuel to maintain a moderately hot fire (this is particularly important since burning wood produces volatile substances).

Burning materials other than natural dry well seasoned wood may shorten the life of your stove and possibly lead to a dangerous over-firing condition. Do not burn garbage, particle, board, scraps or pressed logs using bonding agents because they can produce conditions, which will deteriorate metal.

Starting a Fire: Do not elevate the fire. Build fire directly on the hearth inside the stove; do not build fire above or in front of the log retainer.

To start a fire:

Pull the ash drawer open about one inch and fully open the air intake control. In addition, to help with the start-up, you may also leave the fuel door slightly ajar. Use a small amount of fire starters with enough kindling wood to establish a small brisk burning fire. Add several larger pieces of wood on top of the burning kindling and allow enough time for it to fully catch on fire. Add a full load of fuel and close and latch the fuel door. After five minutes, push the ash drawer closed and adjust the air intake control to the desired position.

CAUTION:

RISK FOR EXCESSIVE TEMPERATURES. THE MAXIMUM TIME THE ASH DRAWER CAN BE OPEN DURING STARTUP IS FIVE MINUTES! KEEP ASH DRAWER CLOSED DURING FIRING OF THE HEATER.

Refueling:

To refuel the stove, first move the air intake control to full open, let the fire “liven-up” for about one minute. Open the fuel door about ½” and hold in this position until stove is drafting well. Open the fuel door and add wood. If the fire or coal bed is almost depleted and a full load of wood is added, it may be necessary to adjust the air intake control wide open to reestablish a lively fire. The use of start up air should only be used for a short period of time.

Note: After refueling, when the wood is burning at a brisk rate, reset the air intake control to the desired position by moving the air intake control handle all the way closed and then back to the desired setting.

5. MAINTENANCE

Ash Disposal and Removal:

CAUTION: Be sure the fire is out and stove is cold before removing ashes! Never burn your stove with the ash drawer open.

Be careful when you empty the stove for ashes. There may be glows left as long as 24 hours after the stove was last used. Ashes should be placed in a metal container with a tight fitting lid. The closed container of ashes should be placed on a non-combustible floor or on the ground well away from all combustible materials, pending final disposal.

If ashes are disposed of by burial in soil or otherwise locally dispersed, they should be retained in the closed container until all cinders have thoroughly cooled.

Cleaning of Stove:

The stove is cleaned with a moist cloth. Senotherm spray is available for repair of possible damages/scratches. Your dealer has the right spray in the right color. As there may be minor color differences, it is recommended to repair large areas with natural borders. You will get the best result if the stove is repaired while it is hand-warm (if the stove is too hot the paint will be granular). Remember a good airing during the repair. A possible change of color to gray is caused by over-firing, i.e. you have used more wood than recommended.

Soapstone:

The soap stones are cleaned with fine sandpaper or a dry sponge.

Gold or Chromium Doors:

Always use a dry cloth to clean your gold or chromium doors (or glass cleaner). Please note that you must NEVER use metal cleaner.

Removing Baffle for Cleaning:

Be sure the fire is out and stove is cold before removing baffle plate, be cautious with handling the plates because the plates are made of a subtle material; which easily broke if not handle with care.

Removal of the lower plate: lift the plate up from the supporting pins in and take the pins out from the side plates and take out the plate (pos 1). Use the same procedure for the upper plate (pos 2) and take out plate (pos 3).

See the drawing below: Plate 1, 2 and 3.

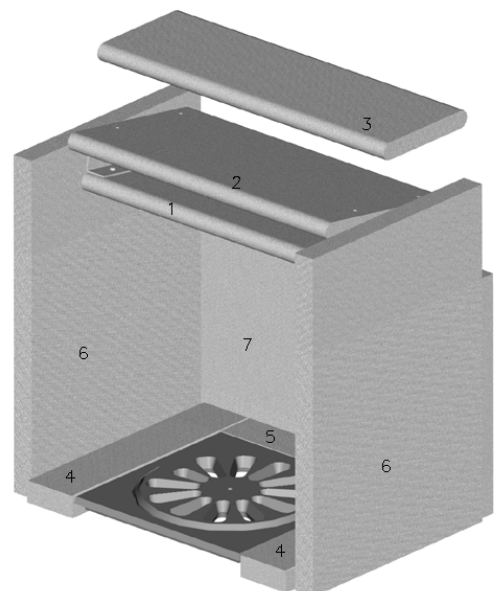
Mounting in reverse order, observe: the plates are placed such that the supporting pins fit into the groove in the plates.

The placement of firebricks and baffle plates are the same in both stoves and is illustrated on the drawing below. Removal of all fire bricks and the baffle plates should follow in the numeric order and installation of all fire bricks and baffle plates should follow in the reverse order of the removal, that is step 1 to 7

WARNING:

DO NOT OPERATE STOVE WITHOUT BAFFLE PLATES PROPERLY INSTALLED OR WARRANTY WILL BE VOID

SCAN:
Layout of lining and baffle plates in the firebox:



Door Glass:

A commercial glass cleaner designed for stoves is recommended for cleaning the glass. The glass can also be cleaned as follows: Dip a moist cloth or old newspaper in the ashes and use this to clean the glass. Attention: The ashes should not get into contact with your skin! Wipe with a dry cloth.

The ceramic door packing cord must not get wet.

Be careful not to abuse the glass by striking or slamming the door shut.

Do not operate the stove with broken glass. If the glass breaks then replace it promptly.

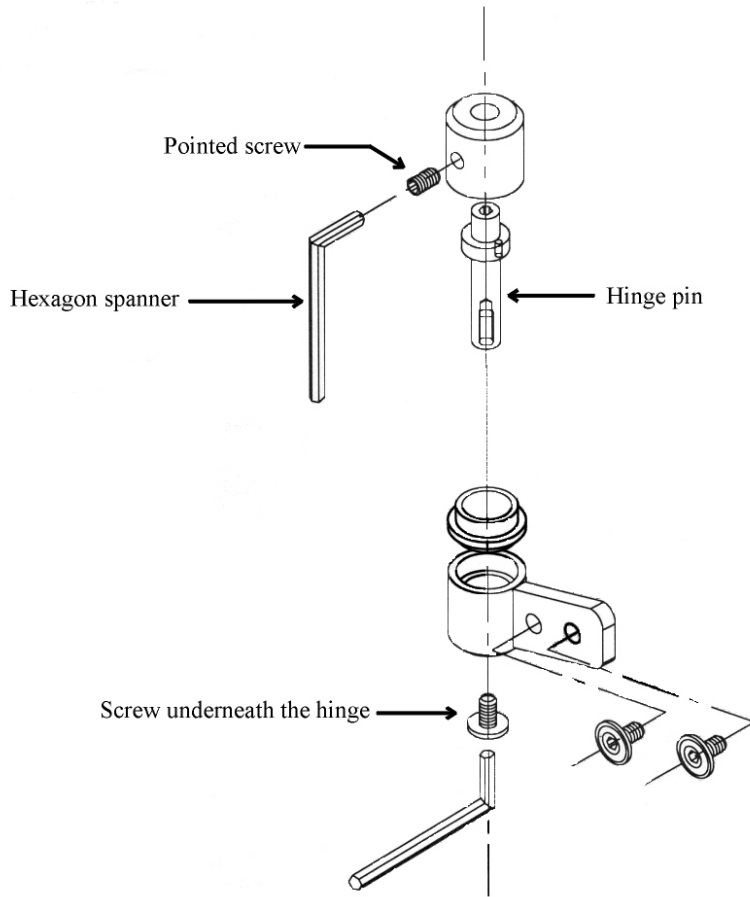
Use only replacement packing cord listed for the door, glass and ash drawer.

Replacing Broken Door Glass:

The door must be dismantled from the stove before installing a new glass.

1. Loosen the door hinges:
SCAN 5.2: loosen the screw underneath each hinge with a hexagon spanner (see sketch on page 20).
2. Place the door on a soft pad.
3. Loosen the fastening screws that hold the inside door frame. Remove the door frame and carefully remove the remainder of the old glass.
4. Clean the area where the glass and packing cord are to be installed.
5. For SCAN 5.2 make sure that the small pivots of the closing device fit into the holes of the locking pawls.
6. Install the new flat **self-adhesive** packing cord on the edge of the inside surface of the outer door frame around the opening and cut off surplus packing cord to make an air tight joint. (The side with the adhesive is to fix the packing cord to the inside of the outer doorframe).
7. Carefully place the glass on the outer doorframe and install the inner doorframe using the screws removed in disassembly. Hold the parts together and install the screws only with two revolutions.
Install the flat part of the **P-packing cord** so it will fit between the outer doorframe and the inner door frame. (When installing the P-packing cord use your fingers or a screwdriver to push the flat part of the cord under the inner doorframe. Make sure the cord is not pushed in so far that the round part will not seal against the door opening of the stove). Tighten the inner doorframe by mounting the screws evenly around the frame (enough to be sure the door packing cord stays in place) then fully tighten the screws.
8. Carefully turn around the door and install the **tube packing cord** between the glass and the outer doorframe with your fingers.
9. Install the door on to the stove again in reverse order of dismantling (see under 1). Make sure that there is the same distance between the door edges and the stove on both sides and that the door and the latch work properly.
SCAN 5 the only difference is the P-packing cord, which is instead a **15 mm (3/8 inch) glass packing cord.**

Sketch of hinge: SCAN 5.2:



Replacement part list:

Caution: Use only original SCAN replacement parts. Do not use substitute materials.

Article	Article #
Glass for SCAN 5-2	57055011
Smoke deflector cassette for SCAN 5-2	54999009 05091
Single baffle plate for SCAN 5-2	54050000 091
Set fire bricks for and SCAN 5-2	53050000 091
<i>Gaskets (packets):</i>	
Door seal (Packet no. 4)	55100004
Glass seal (Packet no. 3 x 2 pieces)	55100003
Ash Tray (Packet no. 5)	55100005
Scan 5-2 door	56055010

Creosote Formation and the Need for Removal:

When wood is burned slowly it produces tar and other organic vapors, which combine with expelled moisture to form creosote. The creosote vapors condense in the relatively cool chimney flue of a slow burning fire. As a result, creosote residue accumulates in the flue lining. When ignited this creosote makes an extremely hot fire.

The chimney connector and chimney should be inspected at least twice monthly during the heating season to determine if a creosote buildup has occurred. If creosote has accumulated it should be removed to reduce the risk of a chimney fire.

Door Glass:

A commercial glass cleaner designed for stoves is recommended for cleaning the glass. The glass can also be cleaned as follows: Dip a moist cloth or old newspaper in the ashes and use this to clean the glass. Attention: The ashes should not get into contact with your skin! Wipe with a dry cloth. The ceramic door packing cord must not get wet.

Be careful not to abuse the glass by striking or slamming the door shut.

Do not operate the stove with broken glass. If the glass breaks then replace it promptly.

Use only replacement packing cord listed for the door, glass and ash drawer.

6. TROUBLESHOOTING

Smoke:

- Insufficient chimney draught!
- Check if the chimney has the right dimension.
- Check if the smoke pipe or chimney is blocked.
- Check if the chimney has the right height compared to the surroundings.
- Wood with too high moisture content.

The wood burns too fast:

- Are the air valves adjusted correctly according to the instructions?
- Is the smoke deflector plate placed correctly?

Sooted glass:

- Is the combustion air valve adjusted according to the instructions?
- Is the wood dry?

Sooted chimney:

- Incorrect combustion!
- Is the wood dry?

The shaking grate is stuck:

- Check if a piece of wood, a pin or the like is stuck.
- Is the bar placed/mounted correctly?

The stove's surface turns gray:

- Over heating - please refer to the maintenance section: Cleaning of Stove.

The stove does not heat:

- Use of moist wood. The energy is used to dry the wood.

7. WARRANTY

WARRANTY CONDITIONS FOR SCAN WOOD BURNING PRODUCTS

All SCAN wood stoves; inserts and fireplaces are subject to a strict quality control, before they are shipped to the customer and end user. However, an error may occur, wherefore we back all SCAN wood burning stoves, inserts and fireplaces with an extensive five years limited warranty.

The warranty covers all parts that may require replacement, from a failure that was caused in the judgment of SCAN, to be a defect in material or workmanship.

This warranty is given to the first retail purchaser (other than for the purposes of resale) only and is not transferable. This warranty does not cover damage resulting from other than defects in material or workmanship or damage caused by unreasonable use including the failure to provide reasonable and necessary maintenance. In addition, this warranty does not cover repairs performed due to neglect, abuse, or use of the stove/insert/fireplace other than in the application for which it is designed.

Specifically this warranty does not cover:

- Wearing parts, such as firebricks, baffle plate, shaking grate and gaskets (other than damages that are visible at the time of delivery)
- Glass (other than damages that are visible at the time of delivery or damages that occur during the first fire)
- Transport costs
- Dismounting/mounting

The warranty is invalid if the serial number for your SCAN stove/insert/fireplace is removed or defaced or if service for defects covered under this warranty is performed by other than an authorized SCAN dealer or SCAN factory recommended service person.

This warranty is void if installation is not in conformity with installation's instructions and/or local fire and building regulations.

This warranty applies only to SCAN stoves/inserts/fireplaces sold within the United States of America and Canada.

THIS LIMITED WARRANTY IS IN LIEU OF ALL OTHER EXPRESS WARRANTIES, ANY IMPLIED WARRANTY OF FAIRNESS FOR A PARTICULAR PURPOSE, MERCHANTABILITY, OR OTHERWISE, APPLICABLE TO THIS PRODUCT, SHALL BE LIMITED IN DURATION TO THE DURATION OF THIS LIMITED WARRANTY. SCAN SHALL NOT BE LIABLE FOR ANY SPECIAL, INCIDENTAL, OR CONSEQUENTIAL DAMAGES, WHETHER BASED ON LOST GOODS OR OTHERWISE.

SOME STATES DO NOT ALLOW LIMITATIONS ON HOW LONG ANY IMPLIED WARRANTY LASTS, SO THE ABOVE LIMITATION MAY NOT APPLY TO YOU. SOME STATES DO NOT ALLOW THE EXCLUSION OR LIMITATION OF INCIDENTAL OR CONSEQUENTIAL DAMAGES, SO THE ABOVE LIMITATION OR EXCLUSION MAY NOT APPLY TO YOU.

This warranty gives you specific legal rights, and you may have other rights, which vary from state to state.