

# Owner's Manual

## Residential Factory Built Fireplace

---

*Operation • Maintenance • Installation*

---

# OPEL3



Keep these instructions for future use.

**RSF**  
WOODBURNING FIREPLACES

**Dear Customer,**

The OPEL3 incorporates technology with elegance to give you a beautiful view of the fire without compromising on heating efficiency or environmental quality.

We have designed your new OPEL3 to be easy to install, operate and maintain. It is in your best interest to become familiar with it. Study your manual to be sure that the installation is correct, then follow the guidelines for operation and maintenance.

We at RSF Woodburning Fireplaces congratulate you on your choice of the OPEL3, and are confident that you have purchased a fireplace that is *simply, the best.*

Sincerely,

RSF Woodburning Fireplaces TEAM

March 2007

---

---

## TABLE OF CONTENTS

<b>SAFETY FIRST</b>	<b>3</b>	<b>INSTALLATION</b>	<b>9</b>
Do's AND DONT'S	3	LOCATION	9
CREOSOTE: FORMATION AND REMOVAL	3	CEILING CLEARANCE	12
<b>GENERAL SPECIFICATIONS</b>	<b>4</b>	OUTSIDE AIR DUCT	12
THE COMBUSTION CONTROL SYSTEM	4	CHIMNEY	12
OPTIONS	4	CHIMNEY INSTALLATION	13
UNIT DIMENSIONS AND CLEARANCES	5	OFFSET CHIMNEY	14
<b>OPERATION</b>	<b>6</b>	CHASE ENCLOSURE	15
AIR CONTROL	6	MASONRY CHIMNEY	15
LIGHTING	6	FRAMING	16
THE FIRST FIRE	7	HEARTH EXTENSION	17
REFUELING	7	BENEATH HEARTH EXTENSION	17
<b>MAINTENANCE</b>	<b>7</b>	MANTEL	17
GENERAL CLEANING	7	MANDATORY OPTIONS WITH THE CLEAN FACE	18
PAINT	7	REFRACTORY BRICK INSTALLATION	18
GLASS CLEANING	7	<b>LISTING LABEL</b>	<b>19</b>
CHIMNEY CLEANING	7	<b>COMPLETE OPTIONS LIST</b>	<b>20</b>
DISPOSAL OF ASHES	8	<b>CONFIGURED OPTIONS LIST</b>	<b>21</b>
DOOR ADJUSTMENT	8	<b>REPLACEMENT PARTS</b>	<b>22</b>
GOLD PLATING	9	<b>LIMITED WARRANTY</b>	<b>24</b>

---

---

## SAFETY FIRST

### DO'S AND DONT'S

If this fireplace is not properly installed, a house fire could result. For your safety, follow the installation directions. Contact your local authority having jurisdiction (such as municipal building department, fire department, fire prevention bureau, etc.) regarding restrictions and installation requirements, and the need to obtain a permit.

To ANYONE using this fireplace: these **DO's** and **DO NOTs** are for your safety.

1. **DO** read this instruction manual before lighting your first fire.
2. **DO** burn seasoned wood fuel or densified fuel logs.
3. To avoid glass breakage, **DO NOT** slam the fireplace door.
4. **DO NOT** ever use gasoline, gasoline-type lantern fuel, kerosene, charcoal lighter fluid or similar liquids to start or freshen up a fire in this fireplace. Keep all such liquids well away from the fireplace while it is in use.
5. **DO NOT overfire the fireplace. If you are unable to slow down the burning rate of the fire or if the chimney connector behind the top louver glows red, you are overfiring the fireplace.**
6. **DO operate the fireplace with the door either fully closed or fully open with the firescreen.** If the door is left partly open, gas and flame can be drawn out of the fireplace opening, creating both fire and smoke hazards.
7. If you use the fireplace with the door wide open, install a firescreen (FO-FDFS) to prevent logs and sparks from burning your floor. Under no circumstances should the fireplace be used without either the firescreen installed or the door closed.
8. **DO** keep all combustible materials (furniture, firewood, etc.) at least 4' away from the front of the fireplace.
9. **DO NOT** use a fireplace grate or other products not specified for use with this fireplace.



◆ **NOTE:** We strongly recommend that our products be installed and serviced by professionals who are certified by the National Fireplace Institute in the U.S. or by Wood Energy Technology Transfer Inc. in Canada.



### CREOSOTE: FORMATION AND REMOVAL

When wood is burned slowly, it produces tar and other organic vapors which combine with the expelled moisture from the wood to form creosote. The creosote vapors can condense in the relatively cool chimney of a slow burning fire. When ignited, this creosote makes an extremely hot fire. The chimney should be inspected periodically during the heating season to see if a creosote build-up has occurred. If a significant layer of creosote has accumulated (1/4" or more), it should be removed to reduce the risk of chimney fire.

❖ **WARNING: BURN DRY WOOD ONLY. DO NOT BURN: DRIFTWOOD, TREATED WOOD, COAL, GARBAGE, OR PLASTIC.**

Do not use construction scraps (e.g. 2x4 or plywood scraps) as your only supply of fuel as you can overheat and seriously damage the fireplace. Do not use more than one wax fuel log (e.g. Duraflame) at a time and only with a firescreen on the fireplace. Use only firelogs that have been evaluated for fireplace use. In Canada, they should meet the requirements of ULC/ORD-C127-M1990. Refer to the firelog warnings and caution markings prior to use.

---

---

## **GENERAL SPECIFICATIONS**

### **THE COMBUSTION CONTROL SYSTEM**

Since the door is sealed, all combustion air must come through the OPEL3's draft control. This control has a bimetal coil to allow more air when the unit is cold, and less air when the unit is hot, guarding against overheating. It can be controlled either manually with the lever that is located on the right below the door, or automatically with an optional electric wall thermostat.

For the first few days, it is best to operate the fireplace with the manual control fully open (moved to the right as far as possible). Just control the fire as you would any normal fireplace, using one or two logs at a time for a smaller fire, or more logs for more heat. Once you become familiar with operating the fireplace with the control open, you can start experimenting with lower settings. Remember: when the fireplace is hot, the control will not need as much movement to reduce the fire as when it is cold. The bimetal coil will already have shut the damper part way.

### **OPTIONS**

There are many different ways you can finish your OPEL3<sup>1</sup> fireplace. You can choose to install louvers – with or without the upper louver – louvers are available in various colors (black: FO-OPLB, gold: FO-OPLG, or pewter: FO-OPLP) or no louvers at all (FO-F).

If you choose to install only the lower louver while blocking off the upper louver on your OPEL3 fireplace, you MUST install two Gravity Vent Kits (FO-V). Gravity vent dampers may not be installed on an OPEL3 with a blocked upper louver.

If you choose to install your OPEL3 fireplace without any louvers, you MUST install the Clean Face Option (FO-F) along with two Gravity Vent Kits (FO-V). Gravity vent dampers may not be installed on a Clean Face OPEL3. Furthermore, we recommend that you do not install any option requiring electricity or a thermal switch inside your fireplace since it will be difficult to access those components after the fireplace facing is covered with non-combustible materials. If you decide nevertheless to install electricity or a thermal switch in your Clean Face OPEL3, remember that you may eventually have to break through the non-combustible finishing to access the electrical box or the thermal switch for servicing.

To simplify the installation of thin non-combustible materials such as ceramic tile or sliced brick, we have designed a very versatile rock retainer kit. It is not designed or required for full brick or stone. With a Louvered OPEL3, you can choose to leave all the black metal completely exposed, partially exposed or completely covered with non-combustible material. Whether you have chosen a Louvered or Clean Face OPEL3, the FO-KP3 kit will help you finish the facing of the fireplace as you wish. Thin materials can also be installed directly on the face of the OPEL3 using high temperature silicone as glue, without a rock retainer kit.

For increased air circulation and marginally more heat output, you can add the Circulating Internal Blower (FO-FDHB5-N) to your Louvered OPEL3 or the Inline Fan (FO-CIF) to your Clean Face OPEL3.

If you have any rooms directly above or adjacent to the room with the fireplace that you would like to heat, you may want to consider the Gravity Vent Kit (FO-V). The gravity vent distributes hot air to these rooms and requires no blower to assist its operation. With a Louvered OPEL3 (both louvers unblocked), you could consider installing Dampers (FO-D) on your gravity vents. The dampers will enable you to choose between sending the heated air to the gravity vent outlet or keeping it in the fireplace room.

For constant heat, day and night, you will be surprised by what the Thermostat Option (FO-FDHC4) can do for you. This option provides you with the necessary parts to automatically control the draft control via a wall thermostat. It will keep your room temperature as even as though you were heating with oil, gas or electricity, except you will find wood heat more comfortable.

To maximize the distribution of the heat generated by your OPEL3 fireplace throughout many rooms and different floors, consider the Central Heat Option. With our Central Heat Blower (FO-FDHB6-1), you can use the house central heating ducts or dedicated ducts to circulate the fireplace heat to one or many rooms. The Central Heat Control (FO-FDHC6) will enable automatic control of the Central Heat Blower via a wall thermostat and thermal switch. The Zone Heat Control (FO-FDHCZ1) along with Zone Damper Kits (FO-FDHCZ2) will provide the same features as the Central Heat Control but for more than one heating zone. If you wish to install the Central Heat

---

<sup>1</sup> You can also refer to the configured option list on page 21.

Blower on a Clean Face OPEL3, you will need the Central Heat T (FO-T) that will enable you to connect the central heat duct along with the left gravity vent on the fireplace.

For a simpler way to circulate a moderate amount of warm air from the fireplace to another room, we offer the Heat Dump Kit (FO-HD) which uses a smaller fan than the Central Heat Blower. It is most often used to provide supplemental heating to a basement room when the fireplace is on the main floor but it can also be used to send the warm air upstairs.

To remove accumulated ashes from the firebox, simply shovel them in to a metal container. If you have chosen to install your OPEL3 fireplace with a lower louver, you may find the optional Ash Pan Kit (FO-AP) very convenient. You remove the plug from the firebox and sweep the ashes into a hole to the ash pan. When the ash pan is full, simply remove the ash pan by the bottom louver and dispose of the ashes properly.

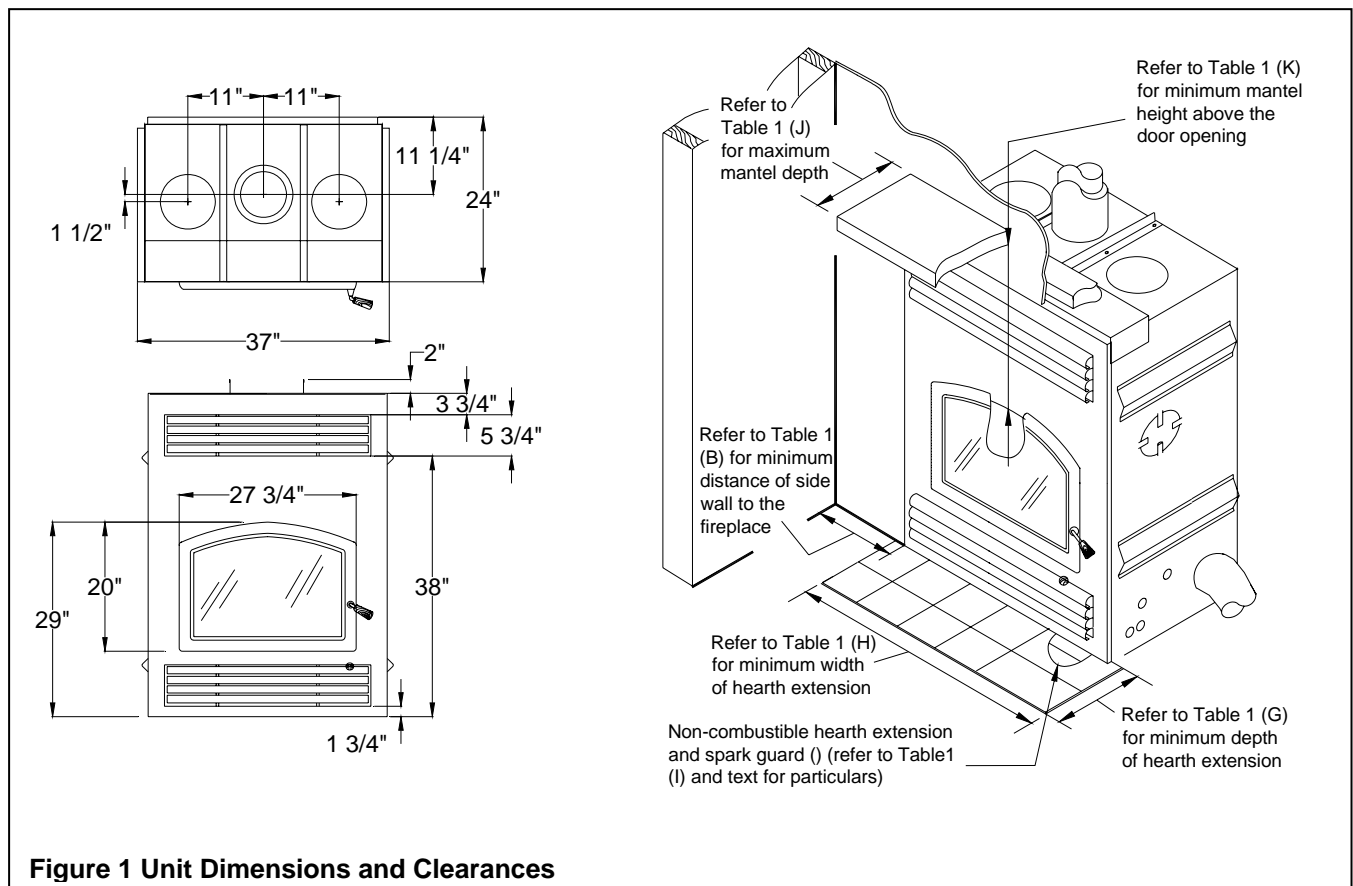
This fireplace has been specially designed to combine high efficiency with the elegance of a wood burning fire. Most often you will take advantage of the high efficiency and the control possible with your new OPEL3 wood burning fireplace. If you would like to enjoy the sight and sound of an open fireplace, or simply have less heat output in a warmer weather you may want to install the optional OPEL3 firescreen (FO-FDFS).

The OPEL3 fireplace is very efficient and clean burning but if you would like to go a step further, you could consider the Catalytic Kit (FO-FDCCO). The Catalyst ignites gases in wood smoke that would otherwise accumulate in the form of creosote in the chimney. As a result you get less creosote and more heat from your fire at low to medium burn rates.

♦ **NOTE:** Many options require wiring and/or electricity for their installation. If there is any chance that any of these options will be installed in the future then suitable wiring should be run during framing. Otherwise, it will be difficult to install these options later. You can refer to page 20 for a list of options that require electricity.

Detailed installation instructions are included in the box with each option. These can also be obtained from our Internet Web Site: [www.icc-rsf.com](http://www.icc-rsf.com).

### **UNIT DIMENSIONS AND CLEARANCES**



**Table 1 Unit Dimensions and Clearances**

A	Distance of combustible material from side, back and top standoffs	0" (0,0 mm)	
B	Minimum distance of side wall to the side of the fireplace	8 ¾" (222 mm)	
C	Ceiling clearance: from the base of the fireplace to the ceiling	sealed enclosure vented enclosure	7' (2,13 m) 6' (1,83 m)
D	Minimum chimney height: minimum total chimney height from fireplace top to below the chimney rain cap	12' (3,66 m)	
E	Maximum chimney height: maximum total chimney height from fireplace top to below the chimney rain cap	40' (12,19 m)	
F	Maximum chimney height supported by the fireplace	18' (5,47 m)	
G	Minimum depth of non-combustible hearth extension: from the front of the fireplace	16" (406 mm)	
H	Minimum width of non-combustible hearth extension: from sides of the door opening	8" (203 mm)	
I	Minimum width of the spark guard	36" (914 mm)	
J	Maximum mantel depth	8" (203 mm)	
K	Minimum height of a combustible mantel above the top of the door opening: from the highest point of the top of the door opening to below the combustible mantel (refer to the "Installation: Mantel" section for particulars)	28" (711 mm)	

## OPERATION

### AIR CONTROL

The combustion air control handle is located on the right below the door (see Figure 2). When the handle is to the far right, the control is fully open and the fire will burn quickly. When the handle is to the far left, it is fully closed and the fire will burn slowly.

Independent of the air control handle position, right (open) or left (closed), the bimetallic coil integrated in the draft control will cycle through keeping the air control open in the position you have selected until the bimetallic coil becomes warm enough to close the draft control to prevent overheating. It will then cool down until it is cool enough so that the bimetallic coil will open the draft control back to the position you have selected until it is warm enough to close the draft control again. The presence of the bimetallic spring in the air control eliminates the possibility of overheating the fireplace.

### LIGHTING

Before starting a fire, make sure to completely open the draft control. It is located on the right below the door frame and should be pushed completely to the right. Light a fire in the fireplace, starting with paper and kindling only. Then add three or four pieces of wood, about 3" diameter. After the fire is established, close the door. Never use any flammable liquids. Once a coal bed is established, add standard cord wood. Leave the draft control open until the fire is well lit, then adjust it to the level you desire.

❖ **WARNING: DO NOT USE A GRATE OR ELEVATE THE FIRE.**



**Figure 2 Air Control**

## **THE FIRST FIRE**

You will experience a slow start-up during the first few fires. The refractory bricks contain moisture from manufacturing and require a few hot fires to evaporate the moisture. While there is still moisture in the bricks, the bricks will be black with smoke deposits. When the moisture has dissipated, the bricks will turn white. You will experience a slight odor during the first few fires. This odor comes from curing paint and oil burning off the metal.

**Before the first fire, be absolutely sure to wipe off all fingerprints and debris from the gold plating, if you have chosen this option. The plating cures during this first fire, and the acid from your finger prints will permanently etch the gold plating.**

## **REFUELING**

Fuel wood can be of any species but the fireplace will not burn cleanly or efficiently unless the wood is well seasoned. Keep your firewood under cover.

**The door should be opened slowly to keep smoke from spilling into your room. If you have a problem with smoke spillage, check to see that all kitchen and bathroom fans have been shut off. They can cause negative pressure in the house which pulls smoke out of the fireplace.**

♦ **NOTE:** The central heat and internal blowers, if installed, should be shut off during refuelling to prevent smoke from spilling out of the fireplace.

---

## **MAINTENANCE**

### **GENERAL CLEANING**

The high heat paint and plating can be cleaned with a soft damp cloth. Use a mild detergent and water. Do not use abrasive cleaners.

### **PAINT**

You can touch up the face of the OPEL3 with *Stove Bright* Metallic Black high temperature paint which is available at most fireplaces dealers. Follow the directions outlined on the spray can. **DO NOT** attempt to paint the fireplace while it is still warm. Keep the spray can away from any source of heat or open flame. Ensure that there is adequate ventilation in the room from the time you start painting until the paint is dry. *Stove Bright* is available in a wide range of colors if you want to change the color of your OPEL3.

We recommend that you take the time to protect or remove any item that you do not want to paint such as: the door glass, the plated door, the fireplace surroundings, etc. The glass can be removed from the door but you will have to replace the window gasket.

### **GLASS CLEANING**

In a controlled combustion firebox, temperatures are not always high enough to keep the glass perfectly clean. A good hot fire once a day usually cleans off most of the deposits that have accumulated. Remember: the drier the wood and the hotter the fire, the cleaner the glass. A word of caution: although heat will not break the glass, impact can. Be careful not to hit the glass.

❖ **WARNING: NEVER CLEAN THE GLASS WITH AN ABRASIVE CLEANER. USE ONLY A CLEANER RECOMMENDED BY YOUR DEALER. NEVER CLEAN THE GLASS WHILE IT IS HOT, A SERIOUS BURN CAN RESULT. THERE ARE A NUMBER OF EXCELLENT WOOD STOVE GLASS CLEANERS AVAILABLE WHICH ARE FAR SUPERIOR TO REGULAR GLASS AND OVEN CLEANERS FOR WOOD STOVE APPLICATIONS.**

### **CHIMNEY CLEANING**

Check the chimney for creosote buildup every week or so until experience shows how often you need to clean it. A buildup of ¼" or more should be cleaned before more creosote accumulates. Use an 7" round brush. The baffle in the firebox can be removed to gain access to the flue from below.

To remove the baffle, first remove the secondary air tube. Simply unscrew the secondary air tube on the left side, slide the tube toward the right until the left end drops out of its hole. Slide the tube back towards the left to get the right end out of its hole. To remove the baffle, push up and slide it off the brackets. Replace both the baffle and the secondary air tube as you removed them and be sure to have the holes on the secondary air tube facing toward the front.

### **DISPOSAL OF ASHES**

Remove the ashes before they become too deep, i.e., before you have a spillage problem when you open the door.

The ashes should be placed in a metal container with a tight-fitting lid. The closed container of ashes should be placed on a non-combustible floor or on the ground, well away from all combustible materials pending final disposal. If the ashes are disposed of by burial, or otherwise locally dispersed, they should be retained in the closed container until all cinders have thoroughly cooled.

### **DOOR ADJUSTMENT**

The door hinge can be adjusted for proper sealing of the left side of the door. Since the door latch is progressive, the more you turn the handle the tighter the seal on the right side of the door. Beware not to always over tighten the door latch; this will result in premature failure of the door gasket.

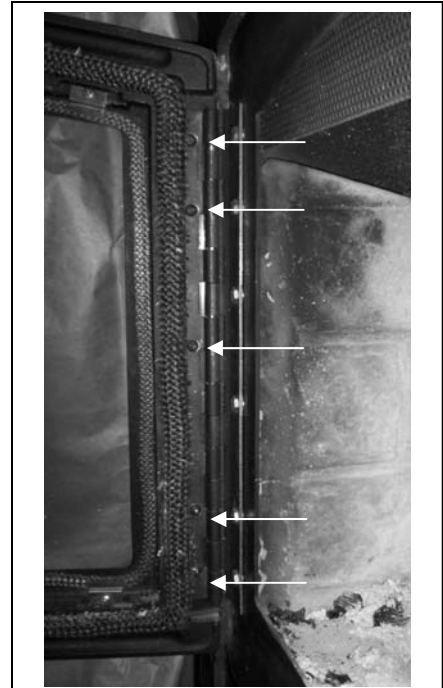
To check for a proper door seal, insert a thin sheet of paper between the door and the front of the fireplace and latch the door. Pull gently but firmly on the sheet of paper. If the paper either tears or is hard to retrieve, the adjustment is correct. Repeat this procedure along all sides of the door.

The most important factor for controlling the burning rate of the OPEL3 is a good seal on the door gasket. If the door gasket is worn or damaged to the point where the seal is not adequate as described above, then remove and replace the gasket. Replacement kits are available from your RSF dealer.

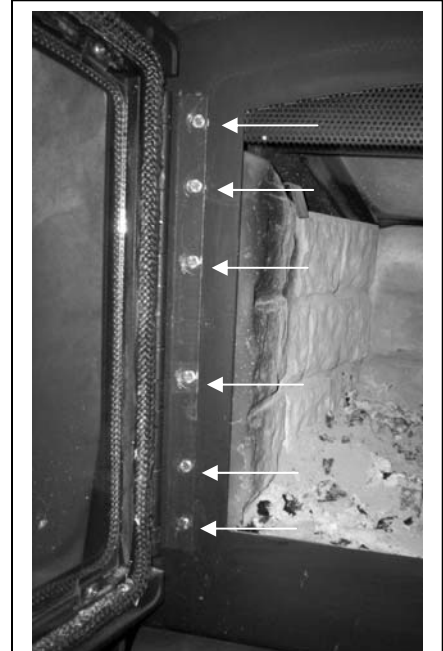
To insure a proper seal, you need to adjust the tightness of the door against the front of the fireplace as follows:

1. To tighten the left side of the door, slightly loosen the screws holding the hinge to the door (see Figure 3).
2. With the door open, push the door towards the facing of the fireplace so as to move the hinge towards the center of the door. This will move the door slightly closer to the facing of the fireplace when it is closed.
3. Continue by retightening all the hinge screws on the door.
4. Verify the alignment of the door with the firebox opening and the latch opening.
5. If necessary, slightly loosen the screws holding the hinge to the fireplace facing (see Figure 4). Move the door with the hinge as desired. Retighten all the hinge screws on the fireplace.
6. Verify the seal with the sheet of paper as described above.

◆ **NOTE:** An improperly adjusted door seal can have a significant effect on the performance and durability of the fireplace. A poorly adjusted door can result in reduced efficiency, over firing, excessive wood consumption and premature fireplace failure.



**Figure 3 Hinge Adjustment on the Door**



**Figure 4 Hinge Adjustment on the Fireplace**

## **GOLD PLATING**

If you have gold louvers, you will be happy to know that they will not tarnish. However, they are not scratch resistant. Use only mild soap and warm water to clean the gold when the surface is cool. The use of any household cleaner, such as Windex, abrasive cleaners, or any form of acid, may permanently etch or remove some of the gold plating. Before the first fire, make sure to clean all fingerprints and other deposits on the gold plating. Since the plating cures during the first fire, fingerprints and other deposits will permanently etch the gold plating.

---

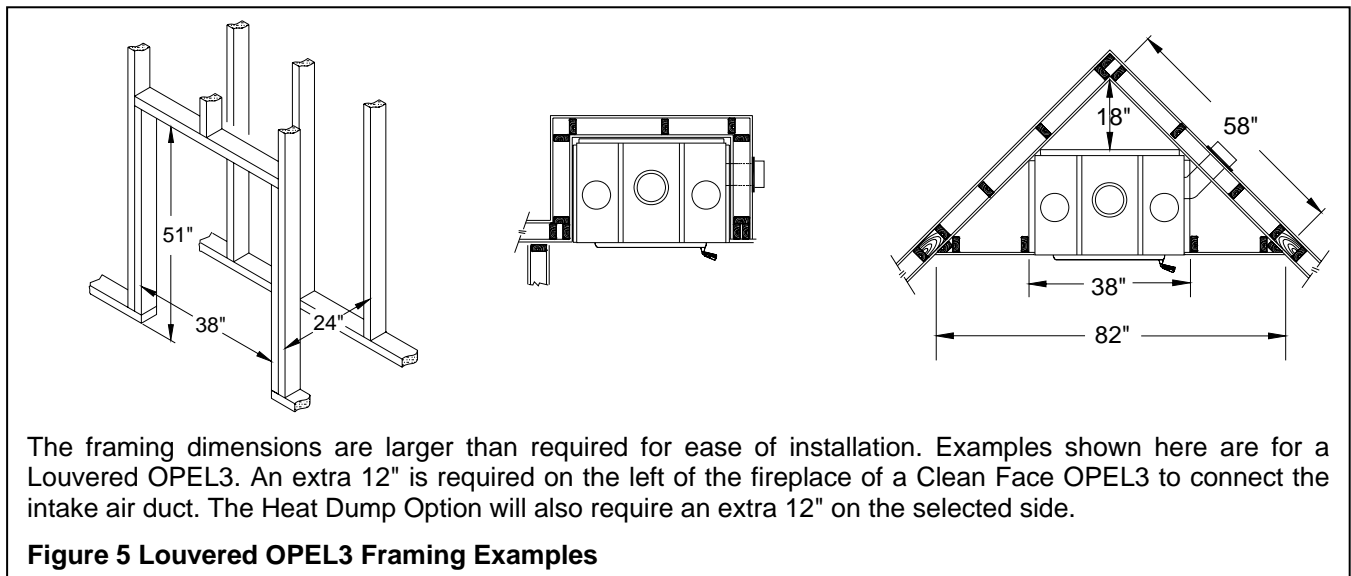
## **INSTALLATION**

Check with your local authority having jurisdiction (such as municipal building department, fire department, fire prevention bureau, etc.) regarding restrictions and installation requirements, and the need to obtain a permit.

Remove the fireplace door. Store them in a safe place until the installation and finishing work is finished. Be aware that heavy duty cleaning products or acid solutions will permanently damage the plating.

## **LOCATION**

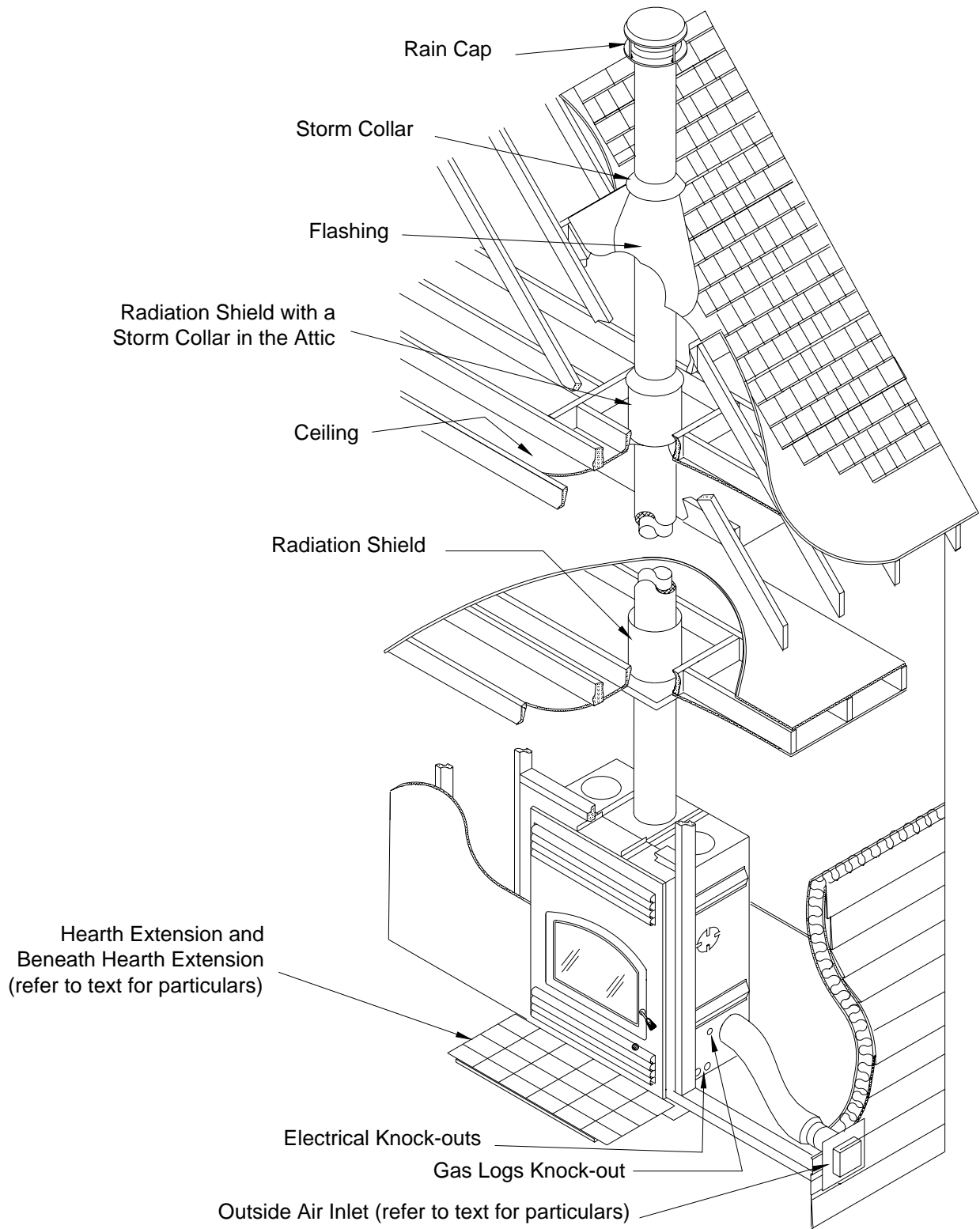
Your OPEL3 fireplace may be installed in many different ways (see Figure 5) without any special floor reinforcement. We recommend that you take the time to plan your entire installation (fireplace, chimney, and options) before beginning the actual installation (refer to Figure 6 and Figure 7).



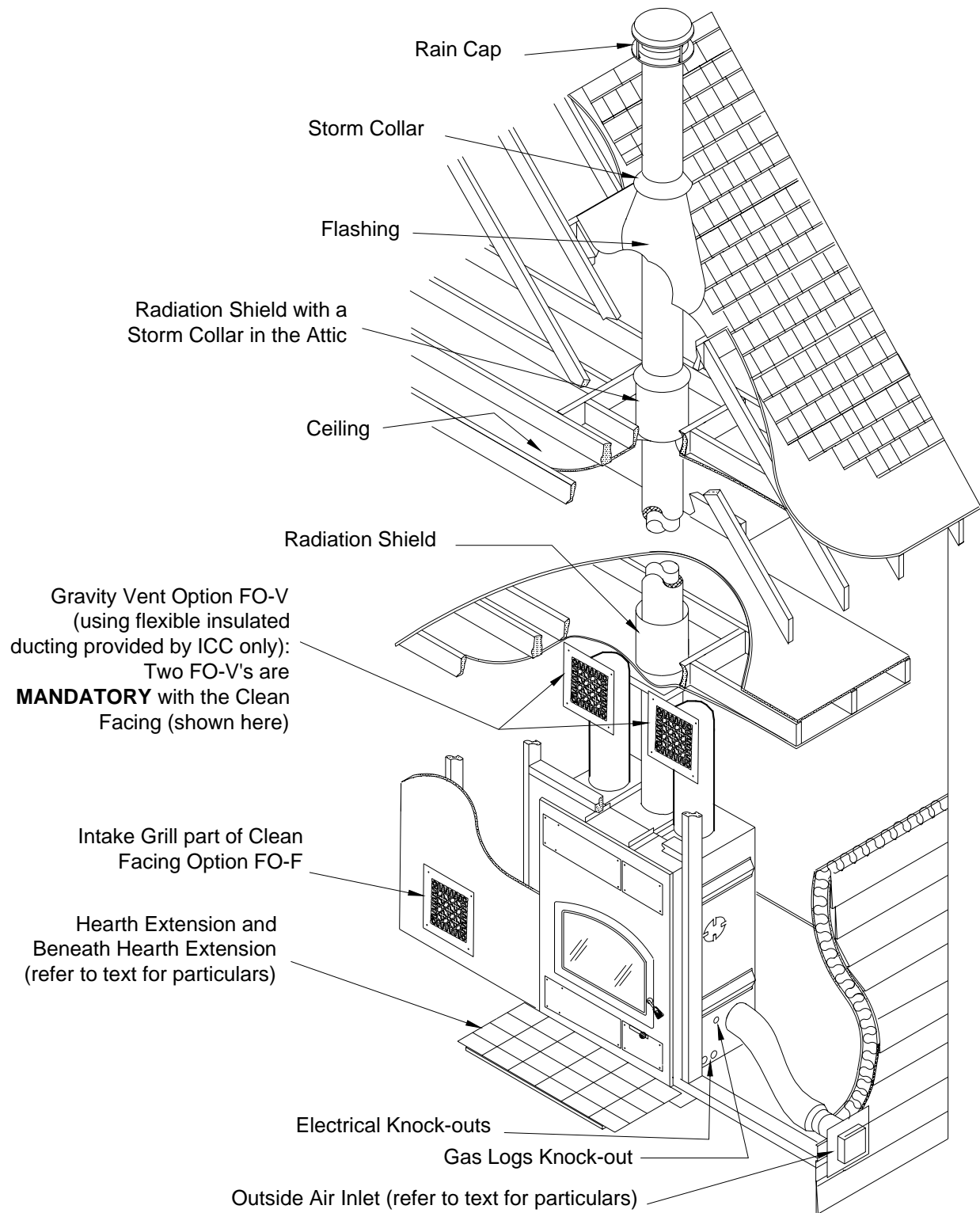
Dimensions of the fireplace along with clearances are shown in Figure 1 and Table 1.

**❖ WARNING: IF THIS FIREPLACE IS NOT PROPERLY INSTALLED, A HOUSE FIRE CAN RESULT. FOR YOUR SAFETY, FOLLOW THE INSTALLATION INSTRUCTIONS AND CLEARANCES. DO NOT PACK REQUIRED AIR SPACES WITH INSULATION OR OTHER MATERIALS.**

1. Note the location of roof and floor joists. Try to choose a location that does not require cutting them.
2. If at all possible, run the chimney up through the inside of the house. If it must be run outside, it should be enclosed in an insulated enclosure (see Installation: Chase Enclosure). Remember, a cold chimney causes poor draft.



**Figure 6 Louvered OPEL3 General Installation**



**Figure 7 Clean Face OPEL3 General Installation**

## **CEILING CLEARANCE**

Ceiling clearance is the distance from the base of the fireplace to the ceiling. If you vent the fireplace enclosure, you can then have a lower ceiling clearance as specified in Table 1 (C) for a vented enclosure.

For a vented enclosure, you **MUST** install regular venting 3"x10" grilles or larger into holes cut within 1' of both the floor and the ceiling, to allow room air to circulate through the fireplace enclosure and reduce heat buildup. These venting grilles may be placed vertically or horizontally.

Under no circumstances should the distance between the ceiling firestop and the base fireplace be less than the dimension specified in Table 1 (C).

## **OUTSIDE AIR DUCT**

After the fireplace is correctly positioned, connect the outside air inlet to the outside (see Figure 8).

Use an insulated aluminium flexible duct rated at over 200° F. The duct should not exceed 12' vertical rise above the base of the unit.

**The air inlet should never be less than 5' below the top of the chimney flue and must never terminate in attic spaces.**

A 4" diameter duct can be used if the total duct run is less than 25'. For longer runs, use 5" diameter duct. Both 4" and 5" connecting sleeves are provided with the fireplace.

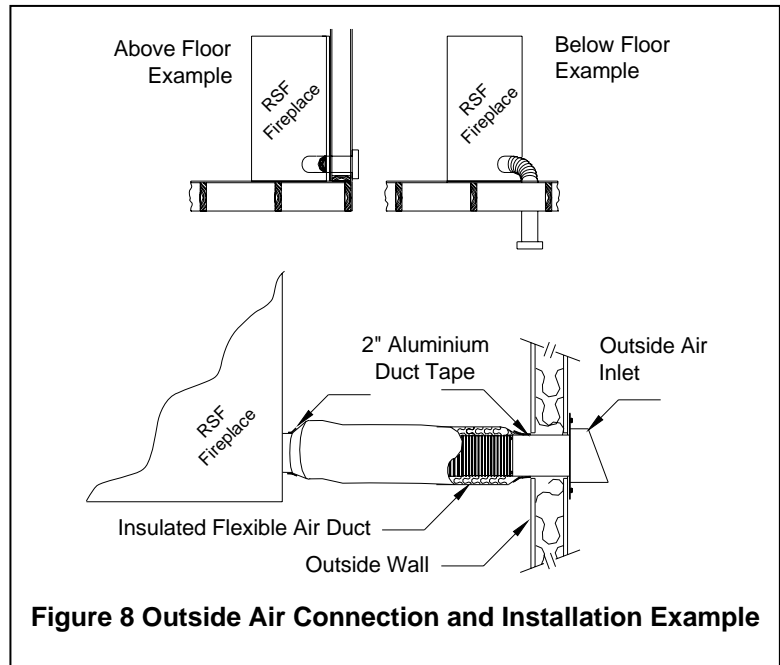
1. Find a convenient location for the combustion air duct and outside air inlet. The outside air inlet can be above or below floor level.
2. Make a 4 ¼" (5 ¼" if using a 5" diameter duct) hole in the outside wall of the house. Push the outside air inlet in from the outside. Seal the joint between the air inlet and the outside wall with an appropriate sealant.
3. Place the insulated flexible duct over the round sleeve on the outside air inlet. At both ends, carefully pull back the insulation and plastic cover, exposing the flexible duct. Then at each end, attach the duct with metal screws to the air inlet and to the fireplace connecting sleeve. Carefully push the insulation and cover back over the duct. Tape the plastic cover in place with 2" aluminium duct tape.

❖ **CAUTION: WHEN RUNNING THE DUCT AROUND CORNERS, BE SURE TO PREVENT CRIMPING THE DUCT THAT WOULD RESTRICT THE COMBUSTION AIRFLOW.**

## **CHIMNEY**

This fireplace is certified for use with 7" ICC Model EXCEL chimney only. Please refer to Table 1 (D-E) for the minimum and maximum chimney height permitted with the OPEL3 fireplace.

We recommend that the minimum height be increased by approximately 1' for every 2000' elevation above sea level. Every 30° or 45° elbow also increases the minimum height by 1'. For example, if you are living 6000' above sea level, your chimney should terminate at least 15' from the top of the fireplace (12' + 3' for the 6000'). See Table 2 for more precise recommended flue heights.



**Figure 8 Outside Air Connection and Installation Example**

**Table 2 Minimum Recommended Flue Heights In Feet From The Top Of The Fireplace**

Elevation (ft)	Number Of Elbows						
	0	2 x 15°	4 x 15°	2 x 30°	4 x 30°	2 x 45°	4 x 45°
0 - 1000	12'	13'	14'	15'	18'	16'	20'
1000 - 2000	12'6"	13'6"	14'6"	15'6"	19'	16'6"	20'
2000 - 3000	13'	14'	15'	16'	19'6"	17'	21'6"
3000 - 4000	13'6"	14'6"	15'6"	17'	20'	18'	22'6"
4000 - 5000	14'	15'	16'	17'6"	21'	18'6"	23'
5000 - 6000	14'6"	15'6"	17'	18'	21'6"	19'	24'
6000 - 7000	15'	16'	17'6"	18'6"	22'	20'	24'6"
7000 - 8000	15'6"	16'6"	18'	19'	23'	20'6"	25'6"
8000 - 9000	16'	17'	18'6"	20'	24'	21'	26'6"
9000 - 10000	16'6"	17'6"	19'	20'6"	24'6"	22'	27'

**CHIMNEY INSTALLATION**

Make sure to read the EXCEL Chimney installation manual concerning requirements for supports, bracing, anchors, etc. The EXCEL Chimney manual is available at you RSF dealer or on our web site: [www.icc-rsf.com](http://www.icc-rsf.com). Refer to Table 1 (F) for the maximum chimney height that can be supported by the top of the fireplace.

❖ **WARNING: THE CLEARANCE BETWEEN THE CHIMNEY AND COMBUSTIBLE MATERIAL MUST BE 2" OR MORE. DO NOT FILL THIS AREA WITH INSULATION.**

1. Cut and frame the required holes in the floor(s), ceiling(s) and roof where the chimney will pass through. The rough opening in the framing is 13" square (the opening can be slightly bigger, up to 13 ½", but NEVER smaller).
2. From below, install a radiation shield in each floor through which the chimney passes. At the attic level, install a radiation shield and a storm collar as shown in Figure 9.

❖ **WARNING: A RADIATION SHIELD MUST BE INSTALLED AT EACH FLOOR WHERE THE CHIMNEY PASSES THROUGH.**

3. Place the first chimney length on the fireplace. Secure the chimney length to the fireplace with the three screws provided.

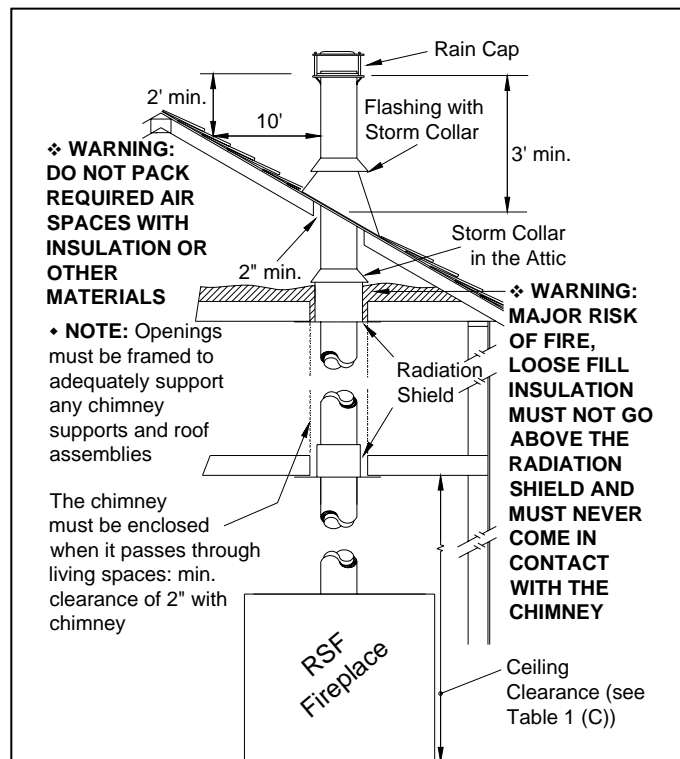
The chimney must extend at least 3' above its point of contact with the roof and at least 2' higher than any wall, roof, or building within 10' of it. If the chimney is higher than 5' above the roof, it must be secured using a roof brace.

4. Put the roof flashing into place. Seal the joint between the roof and the flashing with roofing tar. For sloping roofs, place the flashing under the upper shingles and on top of the lower shingles. Nail the flashing to the roof using roofing nails.

If the chimney is enclosed to the roof:

- In **USA**: use a vented flashing;
- In **Canada**: use a vented flashing, or a roof radiation shield with a regular flashing.

5. Place the storm collar over the chimney and flashing. Seal it around the chimney with silicone sealer (**DO NOT use roofing tar**).
6. Fit the rain cap on the chimney. Secure it tightly in place.



**Figure 9 General Chimney Installation**

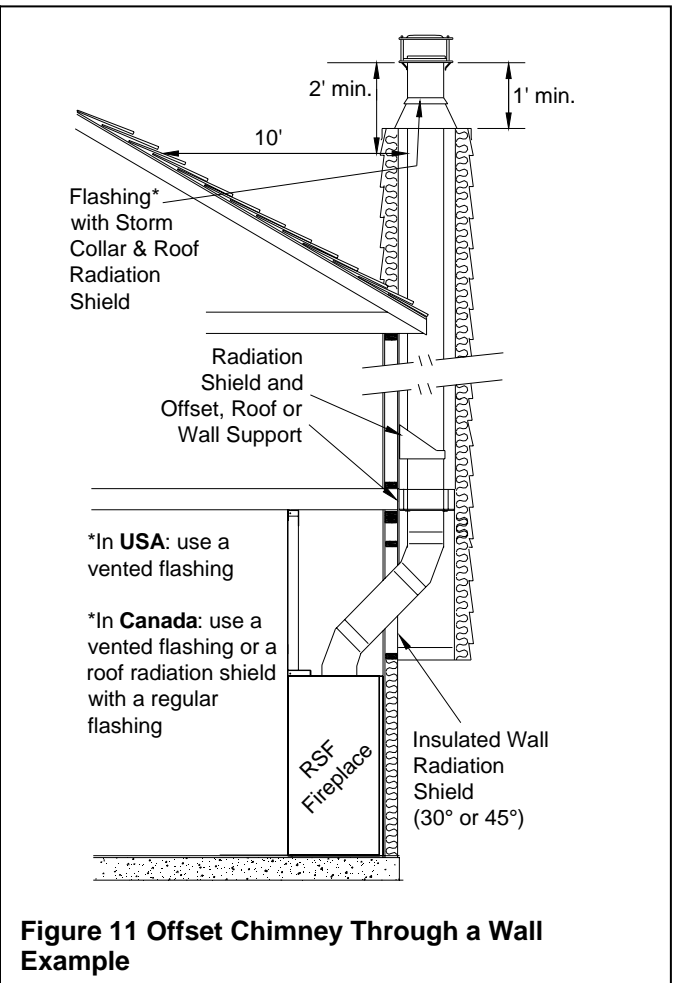
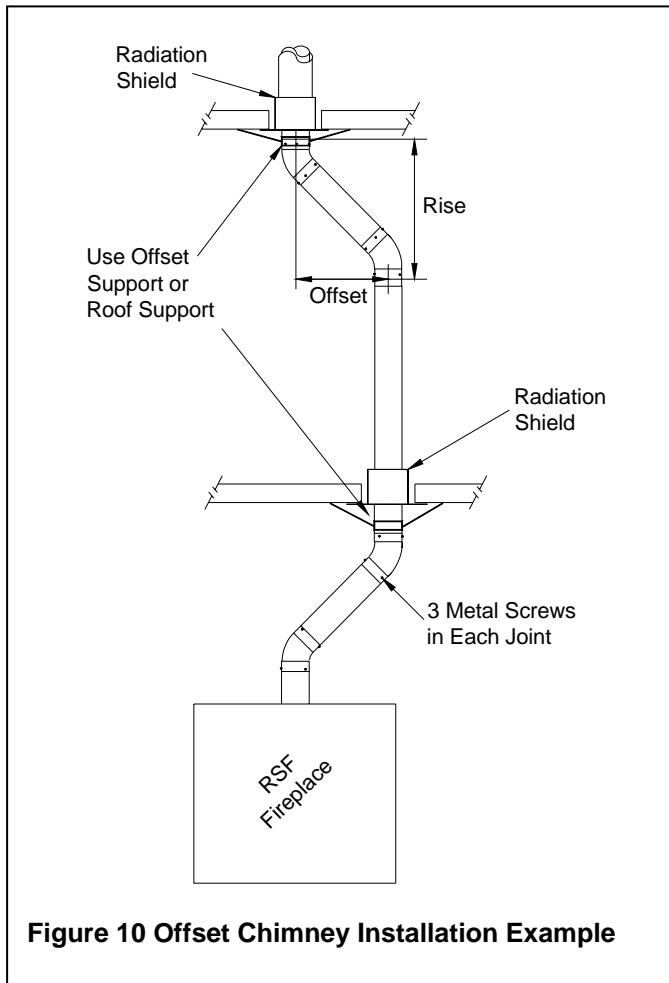
## **OFFSET CHIMNEY**

An elbow may be installed directly on top of the fireplace if required. See the detailed offset charts in the EXCEL chimney installation manual. Use the offset option if you need to clear a joist or pass around a cupboard. See Figure 10 and Figure 11 for examples.

- Maximum offset angle:
  - In **USA**: 30°;
  - In **Canada**: 45°.
- Maximum number of elbows: four, resulting in two offsets and returns.

Install the fireplace and chimney as described earlier. When you require an elbow, proceed as follows:

1. Install the required elbow. Turn it in the desired direction, and fasten it to the other section with 3 metal screws at the joints.
2. Install enough lengths to obtain the desired offset. Secure each joint with 3 metal screws.
3. Use another elbow to return the chimney to the vertical direction.
4. Install a roof support, a wall support, or an offset support above each offset to support the weight of the chimney (elbows are not designed to support the chimney above an offset).



## CHASE ENCLOSURE

If the chimney runs up the outside of the house, we recommend that it be enclosed in a chase structure. The chase should be constructed in such a way that it is an extension of the home (see Figure 12). It should be well insulated between the footings and the floor of the home to prevent heat loss. If the climate in your area is mild, insulate the chase at least to the first firestop. If the climate in your area is very cold, insulate the chase to the top to keep the chimney warmer, increase the draft, and reduce creosote buildup. We also recommend to insulate the ceiling of the chase just as if it were in the attic space. This will prevent cold air from dropping down through the chase and into the room where the fireplace is installed (see Figure 12).

Some local codes require that the walls be insulated, vapor sealed and sheathed with a fire rated gypsum board (see Figure 12). We strongly recommend this procedure for all installations to prevent cold drafts from originating in the fireplace enclosure. If you follow this procedure, we recommend that you do not insulate the wall above the front of the fireplace.

◆ **REMEMBER:** Check local codes concerning installation requirements and restrictions in your area.

## MASONRY CHIMNEY

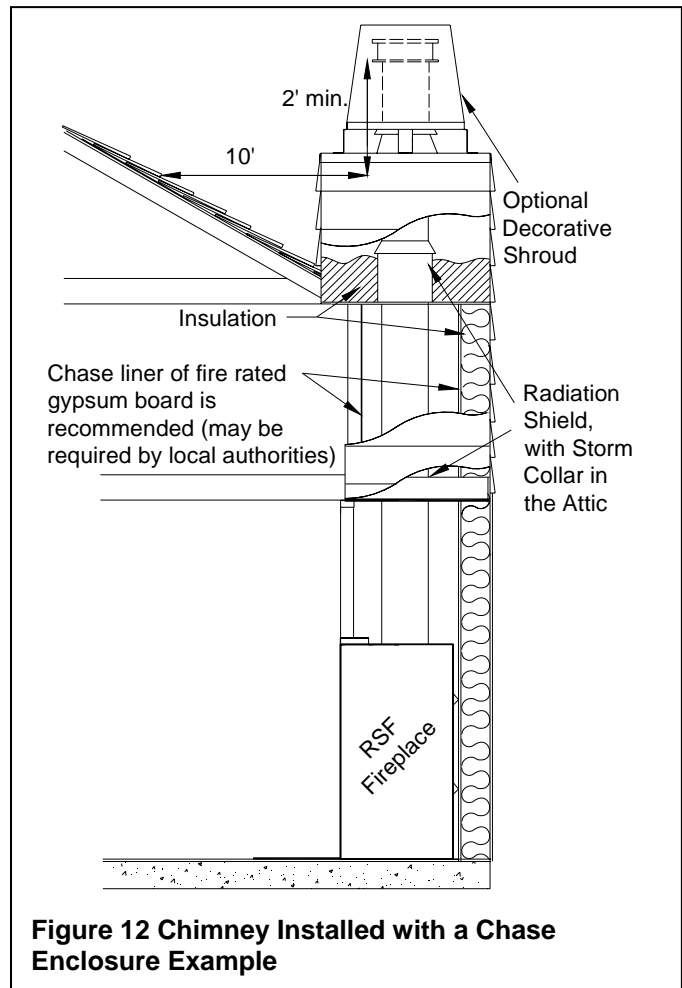
Installing your OPEL3 fireplace with a masonry chimney still requires using EXCEL chimney from the top of the fireplace to the wall where it will connect to a listed liner that will run up inside the masonry chimney (see Figure 13).

The stainless steel liner should be fitted inside the clay liner all the way to the top of the masonry chimney. It is not meant to replace the clay liner. You can use either the EXCEL liner or any other listed liner to ULC-S635, ULC-S640 or UL-1777.

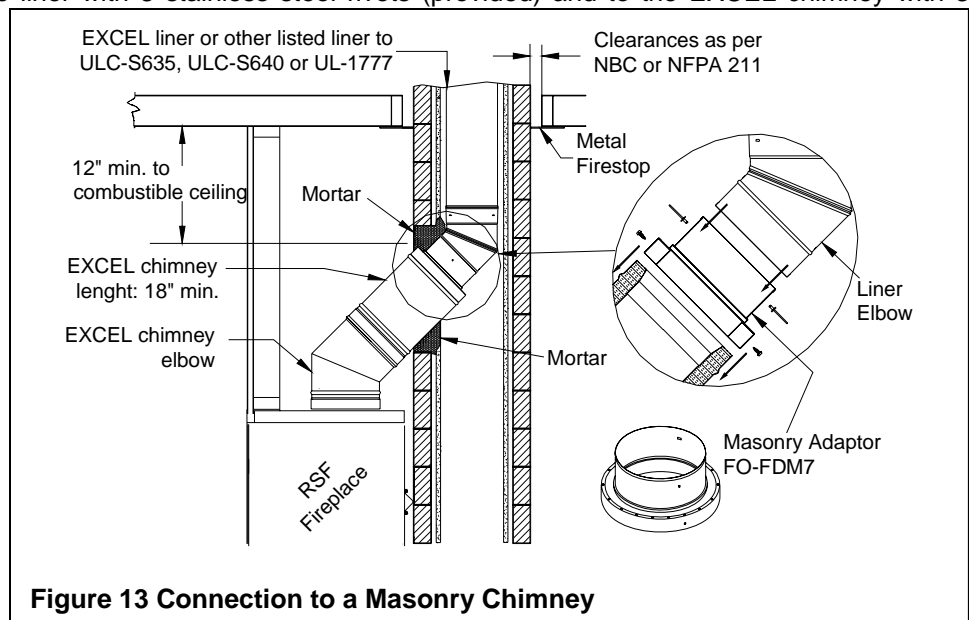
Special care is to be taken to make sure that you have a good solid connection between the EXCEL chimney and the liner. A masonry adaptor (FO-FDM7) was designed specifically for that purpose and is available from your RSF dealer. It will attach to the liner with 3 stainless steel rivets (provided) and to the EXCEL chimney with 3 screws (provided).

After mortaring in place, the connection between the EXCEL chimney and the liner should not be visible in order to isolate the heat released through the liner from the fireplace enclosure.

As depicted in Figure 13, you must install at least one 18" length of EXCEL chimney after the EXCEL chimney elbow. The uppermost part of the EXCEL chimney - where it enters the masonry chimney - must be a minimum of 12" from the ceiling.



**Figure 12 Chimney Installed with a Chase Enclosure Example**



**Figure 13 Connection to a Masonry Chimney**

◆ **NOTE:** If the ceiling is high enough, you can install one or more EXCEL chimney lengths directly on the fireplace before the elbow.

If you use a flexible liner, make sure to be careful when cleaning to ensure that the stainless steel flexible liner is not dislodged in any way.

### **Using an Existing Masonry Chimney**

❖ **WARNING: IF YOU ARE CONSIDERING USING AN EXISTING CHIMNEY, IT MUST FIRST BE THOROUGHLY INSPECTED BY AN AUTHORITY HAVING JURISDICTION TO DETERMINE THE FOLLOWING:**

1. The masonry chimney is well constructed and fully lined, in accordance with Local Building Codes and the National Building Code of Canada (NBC) or National Fire Protection Association chimney standard (NFPA 211).
2. It has been thoroughly cleaned of any soot or creosote residue and inspected to determine that it is in good working condition.
3. There is no insulation of any type in contact with the masonry chimney and there is no insulation stuffed anywhere in the chimney.
4. All the necessary clearances around the masonry chimney, along the complete run of the chimney, are respected as per NBC or NFPA 211. If the masonry chimney is enclosed in drywall, openings will probably be required in order to verify clearances at all points.
5. The masonry chimney will only be used for the fireplace and no other appliance.

If major repairs are required to meet the above conditions, a new chimney should be constructed.

To make the hole through the masonry chimney and make the connection to the fireplace, we recommend that you follow these steps:

1. Sight-in and mark the outline of where the EXCEL chimney will penetrate the masonry chimney.
2. Using a large ( $\frac{3}{4}$ " - 2") masonry drill bit, drill a hole exactly in the center of the oval outline. With a masonry hammer and drill, slowly enlarge the hole to the size required. Remember to work from the center out. Be especially careful with the clay liner behind the brick because three sides of it must stay in place.
3. Bring the stainless steel liner down from the top of the chimney.

If you are using a rigid liner you will need enough room to secure an elbow to it with at least two screws.

If it is difficult to install rigid stainless steel liner in the existing masonry chimney or for a masonry chimney with less than 10"x10" inside, a listed stainless steel flexible liner can be used along with a flexible/rigid adaptor (LM-7LAF) available from your RSF dealer.

4. Install the liner elbow and masonry adaptor on the lower end of the liner.
5. Move the fireplace forward enough to install the EXCEL chimney on the fireplace (elbow and length) then move the fireplace back into position as you connect the masonry adaptor to the EXCEL chimney.

### **Using a New Masonry chimney**

Since the masonry chimney is not build yet, we recommend that you position your fireplace, install the EXCEL chimney on it and connect to the first length of liner before building the chimney as explained above and shown in Figure 13 . The liner sections can easily be installed as the layers of brick are being placed. Since this is a new chimney, we recommend that you build it to the right size so you do not have to ovalize the liner but if you choose to use a 6"x10" clay liner you will need to ovalize the stainless steel liner to fit into the clay liner.

◆ **Remember:** The stainless steel liner should be fitted inside the clay liner all the way to the top of the masonry chimney. It is not meant to replace the clay liner.

### **FRAMING**

The enclosure walls can be framed with any suitable materials (2x4 or 2x6 studs, plywood, gypsum board, etc.). Because of the high heat output potential of the OPEL3, combustible materials must NOT go closer to the fireplace than the standoffs, top, back and sides.

## HEARTH EXTENSION

The area immediately in front of the fireplace must be protected by a non-combustible material such as brick, tile, stone, or slate. Refer to Table 1 (G-H) for the depth and width that the hearth protection should extend beyond the front and both sides of the door opening (see Figure 1). There is no minimum thickness required for the hearth extension.

## BENEATH HEARTH EXTENSION

If the OPEL3 is installed on a non-combustible floor, the spark guard specified below is not required.

Install the spark guard provided (5" x 36" piece of sheet metal) halfway under the fireplace and halfway under the hearth extension and centered on the door opening. The spark guard will extend 2½" beneath the fireplace. This will make certain that sparks cannot lodge in this area and start a fire. If necessary, the provided spark guard can be cut to the minimum width specified in Table 1 (I).

If you are preparing a raised installation, you will need a custom made spark guard, either a "Z" shaped spark guard or a right angle spark guard (see Figure 14). The Z-shaped spark guard must be used if the height between the bottom of the fireplace and the top of the non-combustible flooring of the hearth extension is less than or equal to 2½". The height of the Z-shaped spark guard must equal the distance between the floor and the base of the unit and go under the hearth extension and the fireplace by at least 2½". If the unit is installed higher than 2½" from the top of the flooring, a right angle spark guard is necessary. The sides of the right angle spark guard should be at least 2½" x 2½" and must be covered with non-combustible material. Any custom made spark guard must have the minimum width specified in Table 1 (I), and be installed centered on the door opening.

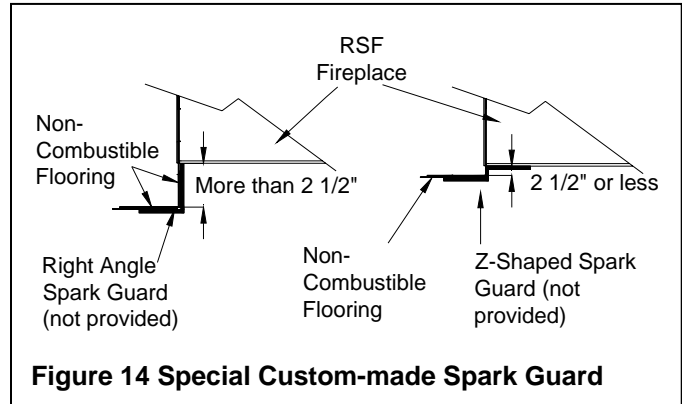
◆ **NOTE:** Custom-made spark guards are not supplied.

## MANTEL

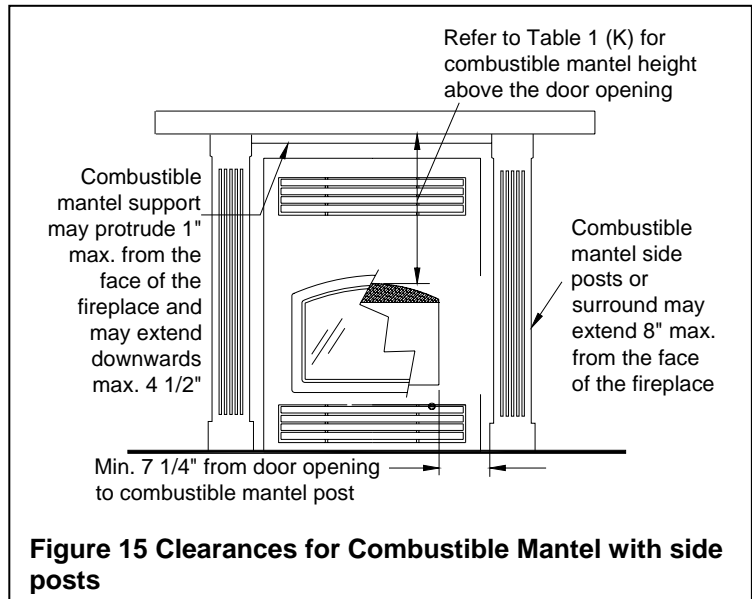
Refer to Table 1 (J) for the maximum depth of the mantel and its installation height. Wood or other combustible mantels must be placed as specified in Table 1 (K) and illustrated in Figure 1.

Masonry and other non-combustible mantels can be placed directly above the top of the fireplace facing or higher. If the noncombustible mantel is located between the top of the fireplace facing and the specified height for a combustible mantel, then the wall portion between the top of the fireplace facing and the mantel must be covered in non-combustible material. If the non-combustible mantel is located at the same height allowed for a combustible mantel, or higher, then no special wall covering is required below the mantel.

If you install a combustible mantel with side posts and/or with a combustible mantel support underneath, similar to the one shown in Figure 15, make sure to respect the clearances specified in Figure 15.



**Figure 14 Special Custom-made Spark Guard**



**Figure 15 Clearances for Combustible Mantel with side posts**

## **MANDATORY OPTIONS WITH THE CLEAN FACE**

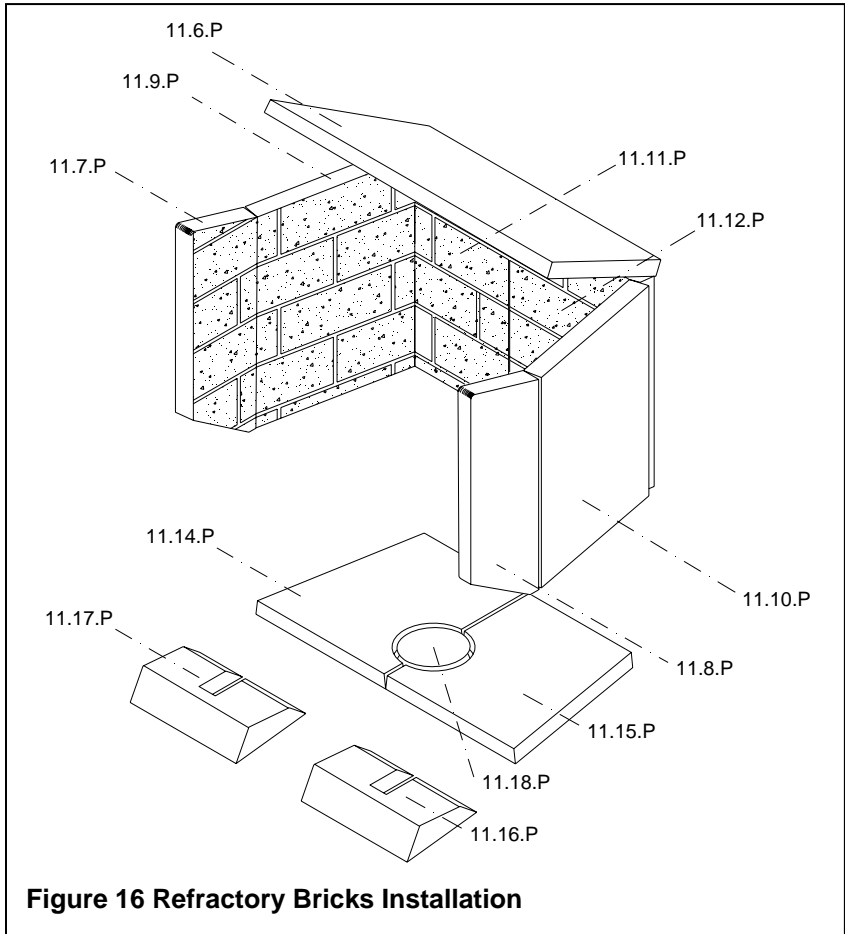
When installing a Clean Face (FO-F) on your OPEL3, you MUST install the intake duct (part of FO-F) to provide sufficient air to the unit along with two Gravity Vent Kits (FO-V, sold separately) to provide an evacuation path for the heat. Neglecting to install either one of these will result in overheating of the unit and may put your safety at risk. Refer to each option's installation instructions for particular details.

Use only genuine RSF parts. The use of any substitutes will decertify the system and may put your safety at risk.

## **REFRACTORY BRICK INSTALLATION**

Before lighting your first fire, you must make sure the refractory bricks are properly installed inside the firebox. This is easily accomplished with the following instructions. To remove any of the refractory bricks, just follow the installation procedure in the reverse sequence. Refer to Figure 16 to adequately identify which refractory brick is the left and which is the right at each step of the installation.

1. First, pass the baffle (11.6.P) through the front opening of the fireplace. Then turn it parallel to the opening with the narrower portion on top. Slide the baffle up above the bracket at the top of the firebox until it is as far back as it can go.
2. Then install both back refractory bricks (left 11.11.P and right 11.12.P).
3. Continue by installing both side rear refractory bricks (left 11.9.P and right 11.10.P). Just insert the top corner of each refractory brick behind the bracket and slide it against the back refractory bricks.
4. Next install the front side refractory bricks (left 11.7.P and right 11.8.P) with the finished side towards the front of the unit.
5. Then install both left and right bottom refractory bricks (left 11.14.P and right 11.15.P) before installing the bottom central refractory brick (11.18.P).
6. Finish by installing both front refractory bricks (left 11.17.P and right 11.16.P)



These refractory have been designed specifically for the OPEL3 and no modifications are required to ensure a proper fit.

# LISTING LABEL

**DO NOT REMOVE THIS LABEL / NE PAS ENLEVER CETTE ÉTIQUETTE**

[REDACTED] SERIAL NO. / NO. DE SÉRIE

**FOYER PRÉFABRIQUÉ**  
**MODÈLE: OPEL**  
MIS À L'ESSAI SELON LES NORMES  
UL-127 / ULC-S610 / ULC-S627 C

**LISTED FACTORY BUILT FIREPLACE**  
**MODEL: OPEL**  
TESTED TO: UL-127 / ULC-S610 / ULC-S627

**FOYER PRÉFABRIQUÉ**  
**MODÈLE: OPEL**  
MIS À L'ESSAI SELON LES NORMES  
UL-127 / ULC-S610 / ULC-S627 C

INSTALL AND USE ONLY IN ACCORDANCE WITH THE MANUFACTURER'S INSTALLATION AND OPERATING INSTRUCTIONS. DO NOT OBSTRUCT COMBUSTION AIR INLET. DO NOT USE A FIREPLACE INSERT OR OTHER PRODUCTS NOT SPECIFIED FOR USE IN THIS PRODUCT. OPERATE WITH DOORS FULLY OPEN OR FULLY CLOSED, IF EQUIPPED WITH CATALYST, OPEN BYPASS BEFORE OPENING THE DOORS.

INSTALLER ET UTILISER SELON LES INSTRUCTIONS D'INSTALLATION ET DE FONCTIONNEMENT DU MANUFACTURIER. NE PAS OBSTRUER L'ENTRÉE D'AIR COMBURANT. NE PAS UTILISER D'ENCASTRABLE OU AUTRES PRODUITS NON SPÉCIFIÉS POUR UTILISATION AVEC CE PRODUIT. FAIRE FONCTIONNER LE FOYER AVEC LES PORTES COMPLÈTEMENT OUVERTES OU FERMÉES. AVEC UN CATALYSEUR, OUVRIR LE REGISTRE DE DÉRIVE AVANT D'OUVRIR LES PORTES.

**MINIMUM CLEARANCES TO COMBUSTIBLE MATERIALS**

SIDEWALL	15,34 IN. / 400 MM FROM DOOR OPENING
HEIGHT OF MANTLE	28 IN. / 710 MM FROM DOOR OPENING
UNIT TOP, BACK, SIDES AND BOTTOM	0 IN. / 0 MM TO SPACERS

**DÉGAGEMENTS MINIMUMS AUX MATIÈRES COMBUSTIBLES**

MUR DE CÔTÉ	15,34 PO. / 400 MM DE L'OUVERTURE DE LA PORTE
HAUTEUR DU MANTEAU	28 PO. / 710 MM DE L'OUVERTURE DE LA PORTE
DESSUS, ARRIÈRE, CÔTÉS ET BASE DE L'APPAREIL	0 PO. / 0 MM DES CALES

COMBUSTIBLE MATERIALS ARE NOT PERMITTED ON FACE OF UNIT. COMBUSTIBLE FLOOR MUST BE PROTECTED AS SPECIFIED IN THE INSTALLATION INSTRUCTION MANUAL.

COMPONENTS REQUIRED FOR INSTALLATION:

CHOICE OF DOOR.

USE 4 IN. OR 5 IN. (102 OR 130 MM) DIAMETER FLEXIBLE DUCT AND COMBUSTION AIR INLET ASSEMBLY. USE THE ICC MODEL 7 IN. (190 MM) EXCEL CHIMNEY AND LISTED COMPONENTS AS PER INSTALLATION INSTRUCTIONS.

TWO GRAVITY VENT SYSTEMS ARE MANDATORY WITH THE OPTIONAL CLEAN FACING.

ONE AIR AMBIENT INLET IS MANDATORY WITH THE OPTIONAL CLEAN FACING.

REFER TO MANUFACTURER'S INSTALLATION AND OPERATING INSTRUCTIONS FOR OPTIONAL COMPONENTS:

FANS, FIRESCREEN, GRAVITY VENT SYSTEM (WITH AUTHORIZED LOUVERS), CENTRAL HEATING ACCESSORIES, CATALYST, MASONRY CHIMNEY ADAPTER.

REPLACE GLASS ONLY WITH 5MM CERAMIC GLASS. OPERATE ONLY WITH FIREBRICK IN PLACE. FOR USE WITH SOLID WOOD FUEL ONLY. DO NOT OVERFIRE UNIT. WARNING: THIS FIREPLACE HAS NOT BEEN TESTED WITH AN UNVENTED GAS LOG SET. TO REDUCE RISK OF FIRE OR INJURY, DO NOT INSTALL AN UNVENTED GAS LOG SET INTO THE FIREPLACE.

LES MATÉRIEAUX COMBUSTIBLES NE SONT PAS PERMIS SUR LA FACADE DE L'APPAREIL. UN PLANCHER COMBUSTIBLE DOIT ÊTRE PROTÉGÉ SUIVANT LES SPÉCIFICATIONS DU LIVRET D'INSTRUCTIONS.

PIÈCES REQUISES POUR L'INSTALLATION:

PORTE AU CHOIX.

TUYAU FLEXIBLE DE 4" OU 5" (102 OU 130 MM) DE DIAMÈTRE ET PRISE D'ENTRÉE D'AIR.

UTILISER UNE CHEMINÉE EXCEL 7" (190 MM) DE DIAMÈTRE DE ICC SELON LES INSTRUCTIONS D'INSTALLATION.

DEUX SYSTÈMES D'ÉVÉNEMENTS DE GRAVITÉ SONT OBLIGATOIRES AVEC L'OPTION DE FAÇADE NEUTRE.

UN SYSTÈME D'ENTRÉE D'AIR AMBIANT EST OBLIGATOIRE AVEC L'OPTION DE LA FAÇADE NEUTRE.

VOIR LES INSTRUCTIONS D'INSTALLATION DU MANUFACTURIER POUR LES COMPOSANTES OPTIONNELLES: SOUFFLÈRES, ÉCRAN PARE-ÉTINCELLES, SYSTÈME D'ÉVENT PAR GRAVITÉ (AVEC PERSIENNES AJOURÉES AUTORISÉES), ACCESSOIRES DE CHAUFFAGE CENTRAL, CATALYSEUR, ADAPTATEUR DE CHEMINÉE DE MAÇONNERIE.

LE REMPLACEMENT D'UNE VITRE DOIT SE FAIRE AVEC UNE VITRE CÉRAMIQUE DE 5 MM D'ÉPAISSEUR SEULEMENT. OPÉRER UNIQUEMENT AVEC LES PIERRES RÉFRACTAIRES EN PLACE. POUR UTILISATION AVEC DU BOIS SEULEMENT. NE PAS SURCHAUFFER L'APPAREIL.

**WITH CATALYST IN PLACE:**  
U.S. ENVIRONMENTAL PROTECTION  
AGENCY CERTIFIED TO COMPLY  
WITH JULY 1990 PARTICULATE  
EMISSION STANDARDS.

**AVEC CATALYSEUR EN PLACE:**  
CERTIFIÉ PAR EPA (USA) SELON LA  
NORME SUR LES ÉMISSIONS DE  
PARTICULES (JUILLET 1990)

**DATE MANUFACTURED / DATE DE FABRICATION**

[REDACTED]

**19990005**

**MADE IN CANADA**

**FAIT AU CANADA**

**WOODBURNING FIREPLACES**

**FOYERS AU BOIS**

## COMPLETE OPTIONS LIST

		Electricity Required
FO-AP	Ash Pan Kit	
FO-CIF	Inline Fan	✓
FO-D	Gravity Vent Damper	
FO-DUCT5	Insulated Duct 5 feet	
FO-F	Clean Face Kit	
FO-FDCCO	Catalytic Kit	
FO-FDFS	Opel Firescreen	
FO-GRK4	Gasket Replacement Kit	
FO-FDHB5-N	Blower - Internal	✓
FO-FDHB6-1	Blower - Central Heat	✓
FO-FDHC4	Thermostat Kit	✓
FO-FDHC6	Central Heat Control	✓
FO-FDHC6-1	Back Draft Damper	
FO-FDHCZ1	Zone Heat Control	✓
FO-FDHCZ2	Zone Damper Kit	✓
FO-FDM7	Masonry Chimney Adapter 7"	
FO-HD	Heat Dump Kit	✓
FO-KP3	Rock Retainer Kit for partial, full coverage or Clean Face	
FO-OPLB	Opel Louver Kit – Black	
FO-OPLG	Opel Louver Kit – Gold	
FO-OPLP	Opel Louver Kit – Pewter	
FO-T	Central Heat T Option	
FO-V	Gravity Vent Kit	

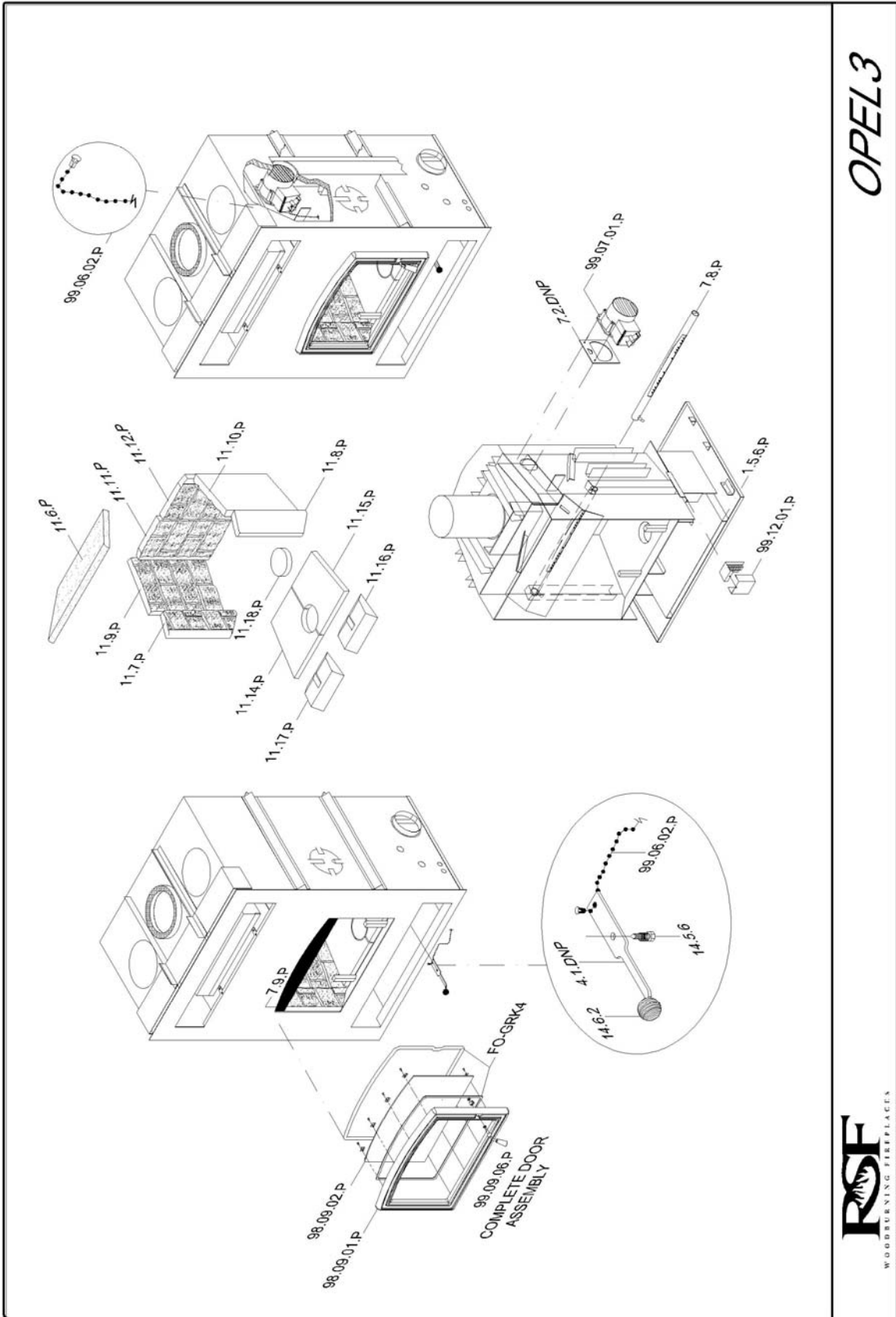
## CONFIGURED OPTIONS LIST

Clean Face OPEL3	Required	Optional	Not available
Clean Face Option	FO-F		
Gravity Vent Kit	FO-V (2)		
Inline Fan		FO-CIF	
Catalytic Kit (must be installed before facing)		FO-FDCCO	
Firescreen		FO-FDFS	
Blower – Central Heat		FO-FDHB6-1*	
Thermostat kit (must be installed before facing and must be accessible for servicing)		FO-FDHC4	
Heat Dump Kit		FO-HD	
Rock Retainer Kit for partial, full coverage or Clean Face		FO-KP3	
Central Heat T Option		FO-T	
Ash Pan Kit			FO-AP
Gravity Vent Damper			FO-D
Blower (internal fan)			FO-FDHB5-N

Louvered OPEL3	Required	Optional	Not available
Opel Louvers – Black or	FO-OPLB		
Opel Louvers – Gold or	FO-OPLG		
Opel Louvers – Pewter	FO-OPLP		
Ash Pan Kit		FO-AP	
Gravity Vent Damper		FO-D	
Catalytic Kit		FO-FDCCO	
Firescreen		FO-FDFS	
Blower (internal fan)		FO-FDHB5-N	
Blower - Central Heat		FO-FDHB6-1*	
Thermostat kit		FO-FDHC4	
Heat Dump Kit		FO-HD	
Rock Retainer Kit for partial, full coverage or Clean Face		FO-KP3	
Gravity Vent Kit		FO-V (1 or 2)	
Inline Fan			FO-CIF

\* Possible add-ons: FO-FDHC6, FO-FDHCZ1, FO-FDHCZ2

# REPLACEMENT PARTS



OPEL3

2007-02

**RSF**  
WOODBURNING FIREPLACES

<p><b>99.11.01.P</b> REFRACTORY COMPLETE SET</p>	<p><b>99.09.04.P</b> DOOR HINGE</p>	<p><b>99.10.03.P</b> TOP LOUVER HARDWARE ASSEMBLY (x2)</p>	<p><b>99.10.04.P</b> BOTTOM LOUVER HARDWARE ASSEMBLY</p> <p>(x1)</p> <p>(x2)</p> <p>10.3.NP</p>
<p><b>99.09.03.P</b> DOOR HANDLE ASSEMBLY</p> <p>14.6.1</p>	<p><b>99.12.01.P</b> TERMINAL BLOCK ASSEMBLY</p>	<p><b>99.06.02.P</b> CHAIN AND PENDANTS ASSEMBLY</p>	<p><b>99.09.05.P</b> GLASS RETAINERS AND SCREWS (x8)</p>



# ASSEMBLIES

# OPEL3

2007-02



## LIMITED WARRANTY

30 Years Limited Warranty

**All RSF Woodburning Fireplaces models are warranted against defects in material and workmanship for a period of 30 years, subject to the following conditions:**

During the first year **RSF Woodburning Fireplaces** will repair or replace, at our option, any parts which upon examination by an authorized **RSF Woodburning Fireplaces** representative, are found to be defective, except the parts listed in the EXCLUSIONS portion of this warranty. **RSF Woodburning Fireplaces** will also pay reasonable labor costs for the repair work.

During the second through fifth years **RSF Woodburning Fireplaces** will repair or replace, at our option, any parts which upon examination by an authorized **RSF Woodburning Fireplaces** representative, are found to be defective, except the parts listed in the EXCLUSIONS portion of this warranty. **RSF Woodburning Fireplaces** shall not be responsible for any labor costs associated with this repair work.

During the sixth through thirtieth years **RSF Woodburning Fireplaces** will provide replacement parts, if available, at 50% of the published retail price, except for the parts listed in the EXCLUSIONS portion of this warranty. **RSF Woodburning Fireplaces** shall not be responsible for any labor costs associated with this repair work.

### EXCLUSIONS:

- Electrical components are warranted for one year only.
- Glass and plating.
- Damage due to normal wear and tear, such as paint discoloration, worn gaskets, eroded or cracked refractory components.
- Repairs or replacements necessitated by vandalism, neglect, abuse, over-firing, improper fuel or fuel loads, or failure to adequately service the unit, as stated in the owner's manual.
- Repairs or replacements (particularly charges for travel and labor) not authorized by **RSF Woodburning Fireplaces** in advance.

### LIMITATIONS:

- All items found to be defective will be replaced or repaired upon return of the defective part to an authorized **RSF Woodburning Fireplaces** dealer. **RSF Woodburning Fireplaces** will not be responsible for freight costs related to shipping replacement parts.
- Any complete fireplace, or part thereof, that is replaced or serviced under this warranty, will be warranted for a period not exceeding the remaining term of the original warranty.
- This warranty is not transferable.
- This warranty does not apply to damage to the appliance while in transit.
- This warranty does not apply if the installation does not conform to the installation requirements in the owner's manual.

**RSF Woodburning Fireplaces** is free of liability for any damages caused by the appliance, as well as material and labor charges incurred in the removal or re-installation of any **RSF Woodburning Fireplaces** fireplace under this warranty. Incidental or consequential damages are not covered by this warranty.

The remedies set forth herein are exclusive, and the liability of the seller shall not exceed the price of the fireplace or part thereof upon which the liability is based.

This warranty is expressly in lieu of all other warranties expressed or implied, including the warranties of merchantability and fitness for use and all other obligations or liabilities on the part of **RSF Woodburning Fireplaces**.