

Installation Instructions

Model Number IDV33-IDV36 Gas Fired Direct Vent Room Heater inserts

Model IDV 33 Listed Certified for USA. and Canada

Certified to: ANSI Z21.88a-2000, CSA 2.33A-2000, CGA 2.17-M91, CSA P.4.1-02

Model IDV 36 Listed Certified for USA. and Canada

Certified to: ANSI Z21.88b/CSA 2.33b-2003, CSA P.4.1-02



This appliance may be installed in an aftermarket permanently located, manufactured home (USA only) or mobile home, where not prohibited by local codes.

This appliance is only for use with the type of gas indicated on the rating plate. This appliance is not convertible for use with other gases, unless a certified kit is used.

**Read this complete manual before beginning installation.
These instructions must be kept with the unit for future reference.**

FOR YOUR SAFETY

WARNING: If the information in these instructions are not followed exactly, a fire or explosion may result causing property damage, personal injury or loss of life.

Warning: Improper installation, adjustment, alteration, service or maintenance can cause property damage, personal injury or loss of life. Refer to this manual. Installation and service must be performed by a qualified installer, service agency or the gas supplier.

Do not store or use gasoline or other flammable vapors and liquids in the vicinity of this or any other appliance.

What To Do If You Smell Gas

Do not try to light any appliance.

Extinguish any open flame.

Do not touch any electrical switch.

Do not use any phone in your building.

Immediately call your gas supplier from a neighbour's phone.

If you can not reach your gas supplier, call the fire department.

WARNING: The IDV33/IDV36 Fireplace Insert was designed for installation in a solid fuel fireplace that has been installed in accordance with national, provincial/state and local building codes and is constructed of noncombustible materials. Do not remove any refractory materials from any masonry solid fuel fireplace.

The IDV33/IDV36 Fireplace Insert was designed for installation in a zero clearance type listed solid fuel burning factory built fireplace. It may be necessary to remove the damper plate and refractory liners. Removal of the smoke baffle is necessary in most cases.



KINGSMAN INDUSTRIES

A Division of R-Co. Inc.

2340 Logan Avenue

Winnipeg, Manitoba, Canada R2R 2V3

Ph: (204) 632-1962

PRE-INSTALLATION QUESTIONS and ANSWERS

Why does my fireplace or stove give off odour?

It is normal for your fireplace to give off some odour. This is due to the curing of the paint, adhesives, silicones and any undetected oil from the manufacturing process as well as the finishing materials used with the installations (e.g. marble, tile and the adhesives used to adhere this product to the walls can react with heat and cause odours).

It is recommended that you burn your gas fireplace or stove for a minimum of four hours at a time with the fan off after the curing of the paint has been completed. These odours can last upward to 40 hours of burn time, keep burning at a minimum of four hours per use until odours dissipate.

About curing of the paint

Your stove or fireplace has been painted with the highest quality silicone stove paint. This paint dries quickly in 15-20 minutes when first applied at the factory. However, due to the high temperature silicone components, the paint will cure when heat is applied to the appliance as it is first used.

The following information **applies to the curing process** to get the paint fully hard and durable.

Fire the appliance four successive times for 10 minutes each firing and a 5 minute cool down between each. Be aware during log and firebox paint curing that a white deposit may be developing on the inside of the glass doors. It is important to remove this white deposit from the glass doors with an appropriate cleaner to prevent build-up (such as Windex or a commercial fireplace glass cleaner).

- Babies, small children, pregnant women and pets should leave the area during the cure phase.
- Ventilate well, open doors and windows.
- Do not touch during curing.

Noise coming from the fireplace?

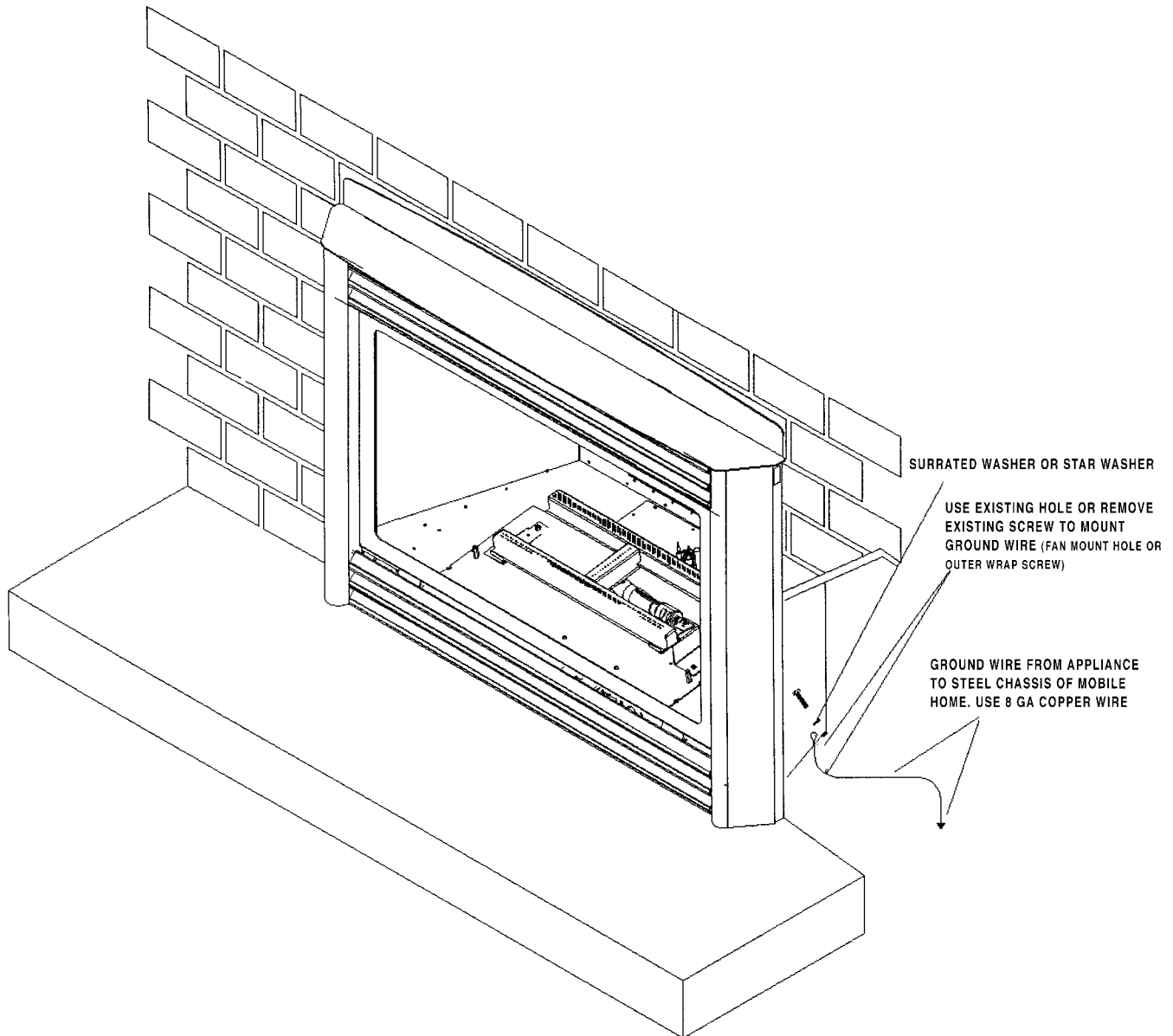
- Noise caused by metal expanding and contracting as it heats up and cools down, similar to the sound produced by a furnace or heating duct. This noise does not affect the operation or longevity of your fireplace.

Table of Contents

Mobile Home/Manufactured Housing Installation	4
Installation and Operation	5
Dimensions and Sizing	6
Mantles and Clearances	8
Gas Line Installation and Specifications	9
Venting System	10
Surround Installation	11
Riser Kit and Levelling Instructions	12
General Glass – Glass Door Information	13
Brick Panel Installation	14
Overlay Installation	14
Fan System	16
Burner Component List	17
Burner Installation/Removal	18
Millivolt System, Lighting, & Burner Control	19
Log Assembly	20
Conversion Kit Instructions	22
Kingsman Fireplace Part Numbers & Specifications Options	24
Troubleshooting the Gas Control System	26
Kingsman Industries Gas Fireplace – Limited Warranty	27

Mobile Home/Manufactured Housing Installation

This Direct Vent System Appliance must be installed in accordance with the manufacturer's installation instructions and the Manufactured Home Construction and Safety Standard Title 24 CFR, Part 3280, or the current Standard for Fire Safety Criteria for Manufactured Home Installation, Sites, and Communities ANSI/NFPA 501A, and with CAN/CSA Z240 MH Mobile Home Standard in Canada.



THIS APPLIANCE MAY BE INSTALLED IN MANUFACTURED (MOBILE) HOMES AFTER FIRST SALE.

Please follow the current ANSI/NFPA 70 National Electrical Code in the USA and CAN/CSA C22.1 Canadian National Electrical Code in Canada.

An appliance must be grounded to the steel chassis of the home with 8 ga. copper wire using a serrated or star washer to penetrate paint or protective coating to insure grounding.

Use carriage bolt at the attachment point (see diagram above) to secure the appliance to the floor.

Bedroom approved.

Warning: Do not compromise the structural integrity of the manufactured home wall, floor or ceiling, during installation of appliance or venting.

For required venting components see venting installation in appropriate section of this manual.

Installation and Operation

Installation Regulations

This gas appliance must be installed by a qualified installer in accordance with local building codes, or in the absence of local codes, with the current CAN/CGA-B149.1 or .2 Installation Code (in Canada) or the current National Fuel Gas Code Z223.1 when installed in the United States.

This appliance, when installed, must be electrically connected and grounded in accordance with local codes, or in the absence of local codes, with the current CSA C22.1 Canadian Electrical Code or with the national Electrical Code; ANSI/NFPA 70-1987 when installed in the United States.

Vertical Venting in Cold Climates

In cold climate conditions where temperatures go below -10 degrees Celsius or 14 degrees Fahrenheit, we recommend that the chase be insulated and where the vent pipe enters into the attic space that the pipe be wrapped with an insulated mylar sleeve. This will increase the temperature of the vent and help the appliance to vent properly in cold weather conditions.

It is also important in vertical vented direct vent appliances that the appliance be operated daily during the winter months as this will help stop the Termination from freezing up. We recommend using a thermostat set at room temperature to allow the unit to cycle.

FOR SAFE INSTALLATION AND OPERATION OF YOUR GAS FIREPLACE PLEASE NOTE THE FOLLOWING:

1. This appliance gives off high temperatures and should be located out of heavy traffic areas and away from furniture and draperies.
2. Children and adults should be alerted to the hazards of the high surface temperatures of this appliance and should stay away to avoid burns or ignition of clothing.
3. Children should be carefully supervised when they are in the same room as your fireplace appliance.
4. Under no circumstances should this appliance be modified. Any parts that have to be removed for servicing should be replaced prior to operating this appliance.
5. Installation and any repairs to this appliance should be done by a qualified service person. A professional service person should be called to inspect this appliance annually. Make it a practice to have all your gas appliances checked annually.
6. Control compartments, burners and air passages in this appliance should be kept clean and free of dust and lint. Make sure that the gas valve and pilot light are turned off before you attempt to clean this unit.
7. The venting system (chimney) of this appliance should be inspected at least once a year and if needed, your venting system should be cleaned.
8. Clothing or other flammable material should not be placed on or near the appliance. This appliance should not be used as a drying rack for clothing nor should Christmas stockings or decorations be hung from it.
9. Under no circumstances should any solid fuels (wood, paper) be used in this appliance.
10. For safe operation, glass doors must be closed.
11. Do not use this heater if any part has been under water. Immediately call a qualified service technician to inspect the heater and to replace any part of the control system and any gas control which has been under water.
12. Do not operate appliance unless completely installed as per installation instructions.

WARNING: Do not operate appliance with the glass front removed, cracked or broken. Replacement of the glass should be done by a licensed or qualified service person .

WARNING: The front of the fireplace gives off high temperatures that could ignite combustible material which is kept close to the front of the unit.

NOTE: It is recommended that a Carbon Monoxide (CO) Detector be installed in or near bedrooms and on all levels of your home. Place a detector about 15 feet (4.5 meters) outside the room that houses your gas appliance.

Certified for installation in a bedroom or bedsitting room. In Canada must be installed with listed milli volt thermostat. In USA see local codes.

Operating and Maintenance Instructions

This gas appliance should be installed by a qualified installer in accordance with local building codes and with current CAN/CGA - B149 (.1 or .2) installation codes for Gas Burning Appliances and Equipment.

Warning: When purging the gas line, the glass front must be removed.

For safe installation and operation note the following:

Never use your gas fireplace as a cooking device.

The Burner/Log Assembly has been engineered and permanently adjusted for proper flame control.

Do not alter gas orifice.

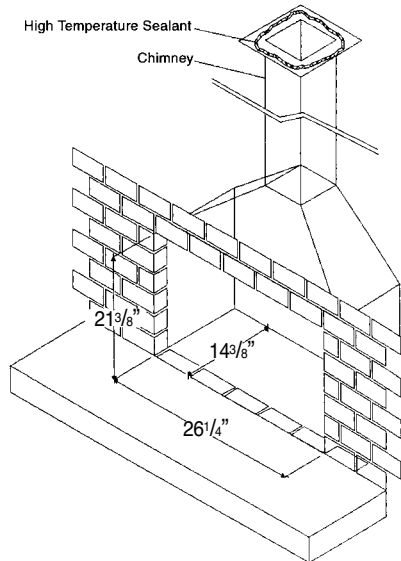
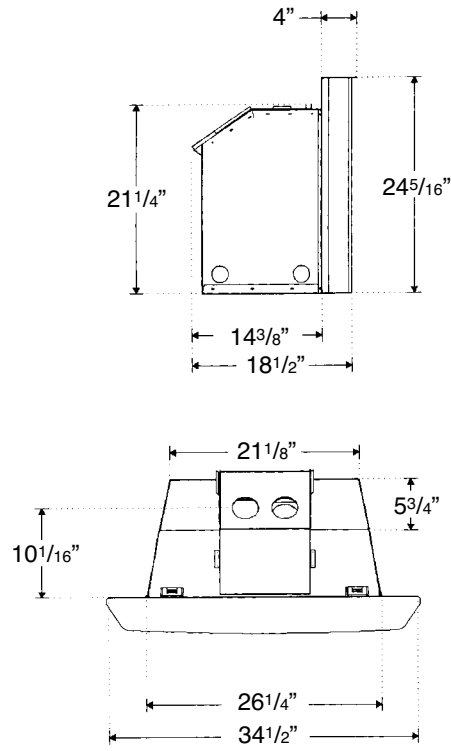
Periodically remove the logs from the grate assembly and vacuum any loose particles from the grate and burner areas. See Log Placement page 19 to remove logs. Vacuum burner parts and replace logs.

Note: It is normal for your gas fireplace to give off some odor the first time it is burned. This is due to the curing of the paint and any undetected oil from the manufacturing process.

Please ensure that your room is well ventilated - open all windows.

It is recommended that you burn your gas fireplace for at least four (4) hours the first time you use it without the fan on.

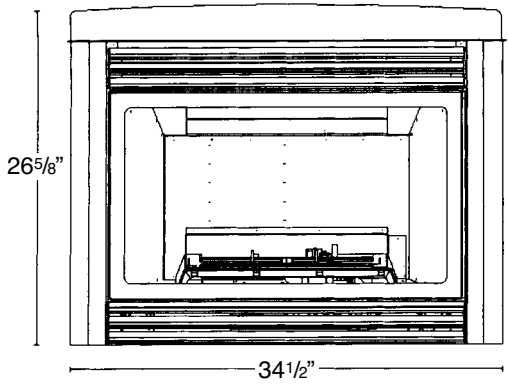
IDV33 Insert Dimension and Sizing



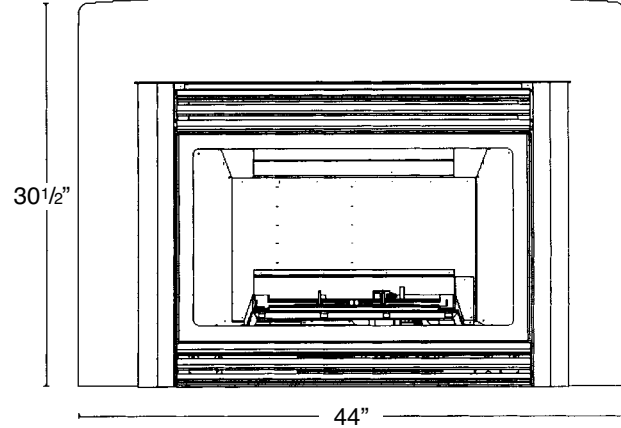
MINIMUM FIREPLACE OPENING		MINIMUM FIREPLACE COVERAGE WITHOUT SURROUND
Front width:	26 1/4"	34 1/2"
Rear width:	21 1/8"	
Height:	21 3/8"	24 1/4"
Depth:	14 3/8"	

IDV 33 Optional Surround Sizes

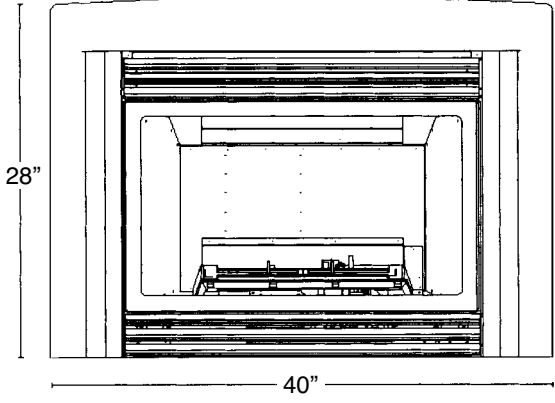
I33S3426B Top Only



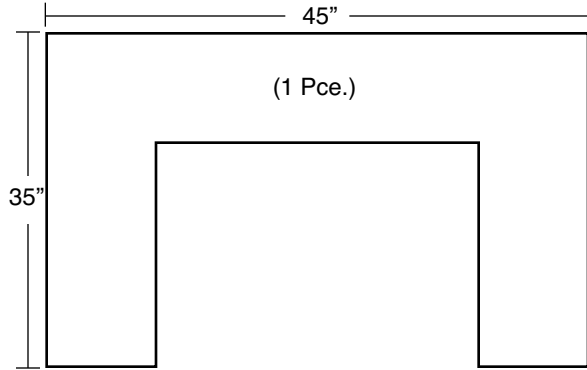
I33S4430B Top/Sides



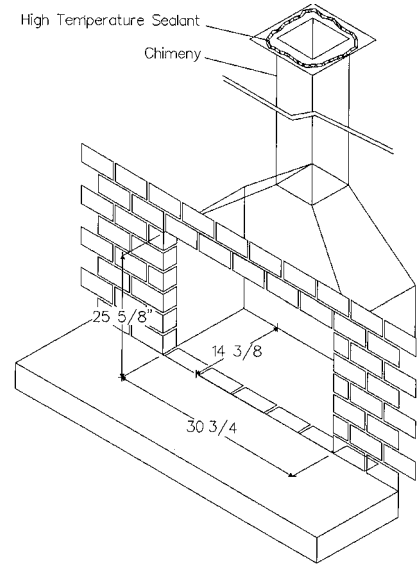
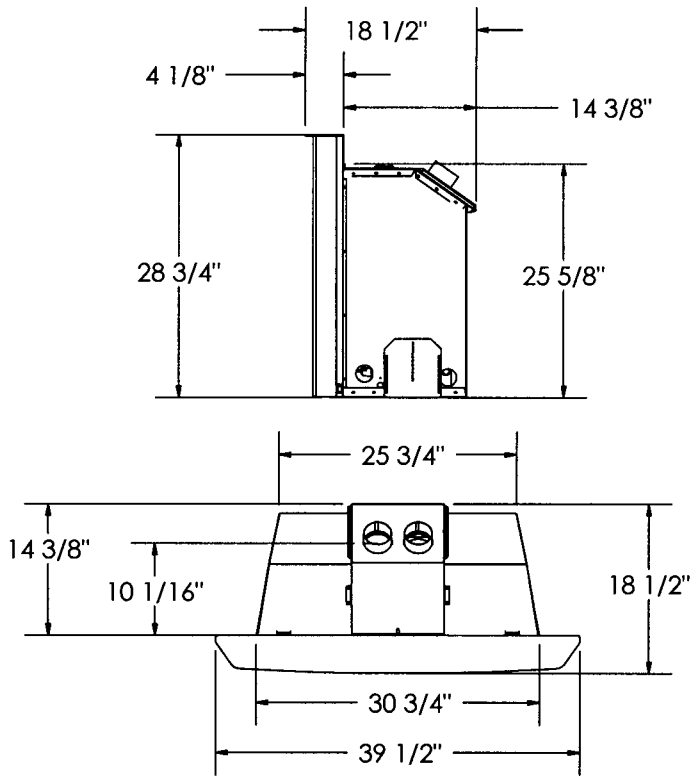
I33S4028B Top/Sides



I33S4535B



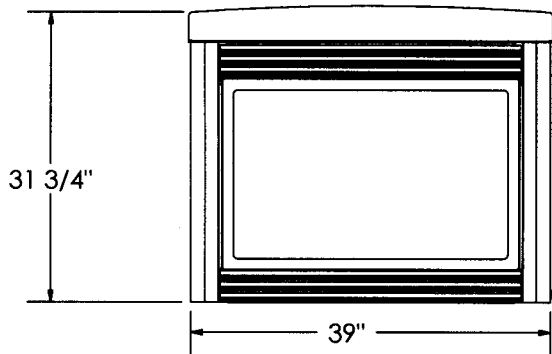
IDV36 Insert Dimension and Sizing



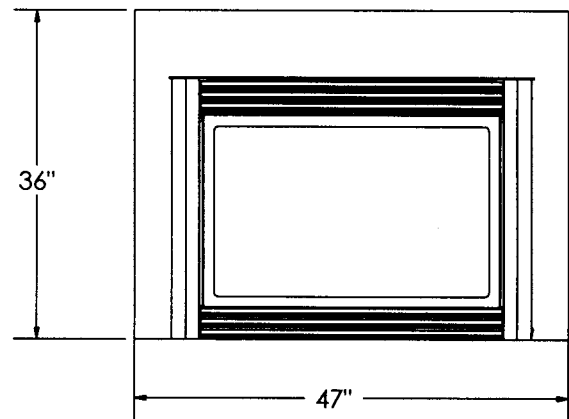
MINIMUM FIREPLACE OPENING	MINIMUM FIREPLACE COVERAGE WITHOUT SURROUND	
Front width:	30 3/4"	39"
Rear width:	25 3/4"	
Height:	25 5/8"	28 3/4"
Depth:	14 3/8"	

IDV36 Optional Surround Sizes

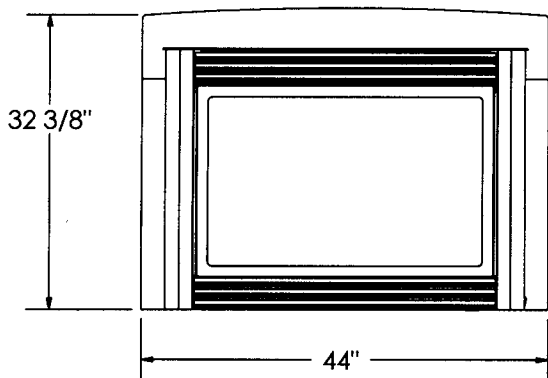
I36S3931B Top Only



I36S4736B 1 Piece



I36S4432B 3 Piece Top/Sides



Clearance to Combustible Mantels

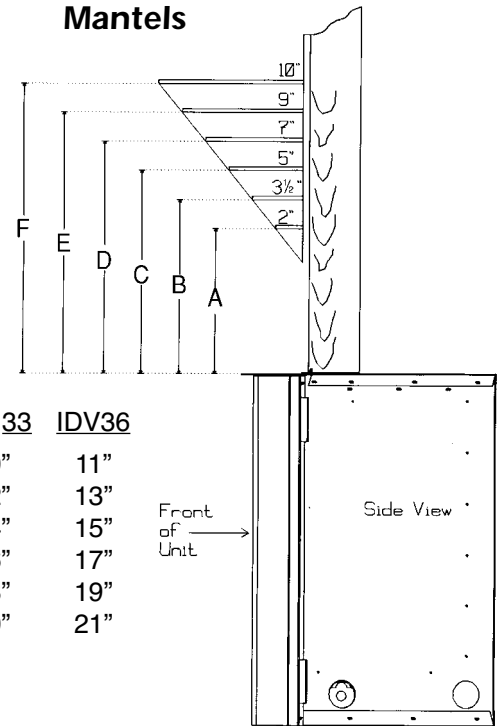
Mantels

Depending on the width of the fireplace mantel, it may be installed higher or lower from the top of the fireplace opening. See drawings for proper installation height of your combustible mantel. Non-combustible mantels may be installed at any height above the fireplace opening.

Non combustible materials such as brick, tile, etc. can extend up to the front face of the fireplace (NO PORTION OF GRILL AREA OR DOOR AREAS CAN BE COVERED).

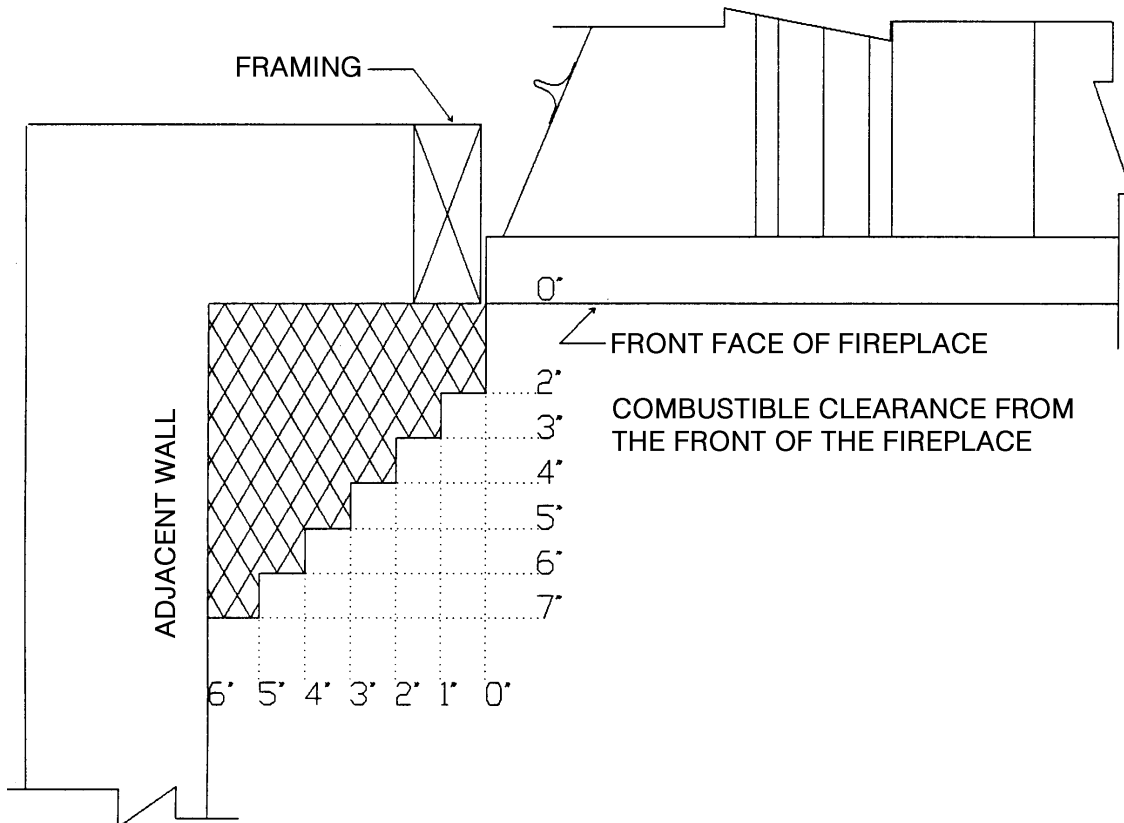
Note: When using paint or lacquer to finish the mantel, such paint or lacquer must be heat resistant (250°F) to prevent discoloration.

Mantels



Warning: Combustible objects must not be placed on a non-combustible mantel unless the non-combustible mantel meets the minimum height and width requirements for a combustible mantel.

Mantel Leg Clearances

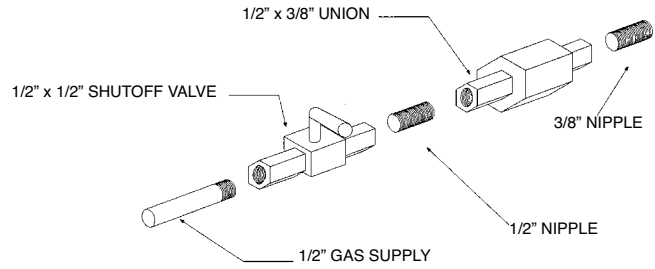


Gas Line Installation

This gas appliance should be installed by a qualified installer in accordance with local building codes and with current CAN/CGA - B149.1 or .2 installation codes for Gas Burning appliances and equipment in Canada and the National Fuel Gas Code ANSI Z223 in the U.S.A.

1. The gas pipeline can be brought in through either the right or the left side of the appliance. A knockout is provided at either location to allow for the gas pipe installation and testing of any gas connection.
2. The gas control inlet is 3/8" NPT. Typical installation layout for rigid pipe is shown at right.
3. When using **copper** or **flex connector**, use only approved fittings. Always provide a union so that gas line can be easily disconnected for burner or fan servicing. See gas specification for pressure details and ratings.
4. When a vertical section of gas pipe is required for the installation, a condensation trap is needed. See CAN/CGA-B149.1 or .2 for code details.
5. For natural gas, a minimum of 3/8" iron pipe with gas minimum pressure of 4.5 w.c. must be used for supply from the gas meter. Consult with the local gas utility if any questions arise concerning pipe sizes.
6. A 1/8" NPT plugged tappings are accessible for test gauge connection both on the inlet and outlet of the gas valve.
7. Turn the gas supply ON and check for leaks. **DO NOT USE OPEN FLAME FOR THIS PURPOSE.** Use an approved leak testing solution.
8. The appliance and its individual shutoff valve must be disconnected from the gas supply piping system during any pressure testing of that system at test pressures in excess of 1/2 PSIG (3.5 KPa).
9. The appliance must be isolated from the gas supply piping system by closing its individual shutoff valve during any pressure testing of the gas supply piping system at test pressures equal to or less than 1/2 PSIG (3.5 KPa).

Note: The gas line connection may be made of 1/2" rigid pipe or an approved flex connector. Since some municipalities have additional local codes, it is always best to consult your local authorities and the current CAN/CGA - B149.1 or .2 installation code in Canada or the National Fuel Gas code ANSI Z223.1 in the U.S.A.



Important: Always check for gas leaks with a soap and water solution. Do not use open flame for leak testing.

Gas Specifications

Model	Fuel	Gas Control	Maximum Input	Output
IDV33N	Natural	Millivolt (adjustable)	31,000 BTU High 20,900 BTU Low	23,250
IDV33LP	Propane	Millivolt (adjustable)	28,500 BTU High 23,100 BTU Low	21,375
IDV36N	Natural	Millivolt (adjustable)	34,250 BTU High 24,860 BTU Low	25,685
IDV36LP	Propane	Millivolt (adjustable)	30,030 BTU High 22,840 BTU Low	22,525

Gas Inlet	Sit or Robertshaw	3/8" NPT	
Gas Supply Pressure	Minimum	Normal	Maximum
Natural Gas	4.5	7.0	9.0
Propane Gas	11.0	11.0	12.0
Manifold Pressure	Natural Gas	3.5 inches water column	
	Propane Gas	10.5 inches water column	
Orifice Size	Natural Gas (0-4500 ft)	IDV33N - 35	IDV36N - 32
	Propane Gas (0-4500 ft)	IDV33LP /IDV36LP - 51	
Air Shutter	NG .187 open		
Openings	LP .500 open		

For the state of Massachusetts a **T-handle gas shut-off valve** must be used on a gas appliance. This T-handle gas shut-off valve must be listed and approved by the state of Massachusetts. This is in reference to the state of Massachusetts state code CMR238.

Venting

This appliance must not be connected to a chimney flue serving a separate solid-fuel burning appliance.

This appliance is approved with Kingsman Flex Vent System (as listed in the manual) or Simpson Duravent flex pipe system (#0991 Co-linear Vertical Termination and #0923GK Co-linear Adapter for Termination). This fireplace insert is approved for use with two - three inch diameter gas flex liners.

All venting lining products must be approved and installed according to the vent manufacturers installation instructions. All vent liners must terminate in a rain cap to prevent debris and rain from entering the vent and possibly damaging the appliance or creating an unsafe condition. The area between the existing chimney and liner must be capped off for the same reasons as above and to reduce the chances of venting problems and corrosion of the vent.

If this fireplace insert is to be used to replace an existing fireplace insert the existing vent liner must be of the proper size and if so must be inspected for obstructions, damage and/or corrosion. Replacement must be done as necessary.

Before any vent liner is run through a chimney or other approved venting system, **chimney must be inspected, cleaned and repaired** if necessary. A chimney which was used for a solid fuel fireplace must be professionally cleaned in order to reduce corrosion of the vent or other possible safety hazards.

Installation of Vent Pipe

Note: Use black millpac on vent pipe joints!

1. First remove the decorative top cover (5 screws). Then simply lift upwards. (fig #1)
2. Remove adapter plate from unit by removing the two screws as shown below. (fig #3)
3. Attach the vent pipes to the termination with millpac and 4 screws per pipe joint. Be sure to label the exhaust and intake flex pipes. Make sure not to connect the exhaust to the intake or vice-versa. Lower the termination and vent pipe down the vent and screw and seal plate to the chimney crown, clay tile chimney or wood stove vent. It may be necessary to pre-drill holes into the chimney crown (depending on material) (8 screws).
4. The two vent pipes should now be hanging in the existing fireplace. Attach the adapter to the 2 suspended vent pipes with millpac and screws. Let the adapter hang in place until unit is ready to be positioned.
5. Once the adapter is suspended by the vent pipes going up to the termination cap slide the unit into place carefully. (fig #2)

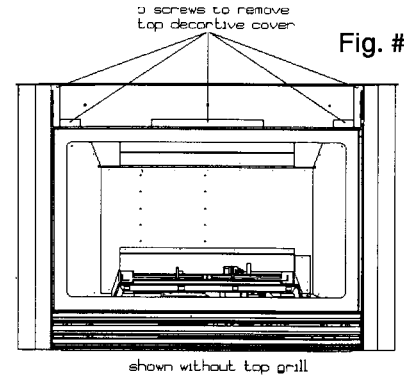


Fig. #1

6. You want the adapter to slide along the top of the unit between the guides making sure it remains flat. (fig #2)
7. Once the unit is slid back into position use the 2 screws previously removed to secure the adapter plate. When tightening the adapter plate check to make sure the plate is flat to the unit and the rear catch lock is engaged over the rear tab of unit. (fig # 2 & #3)

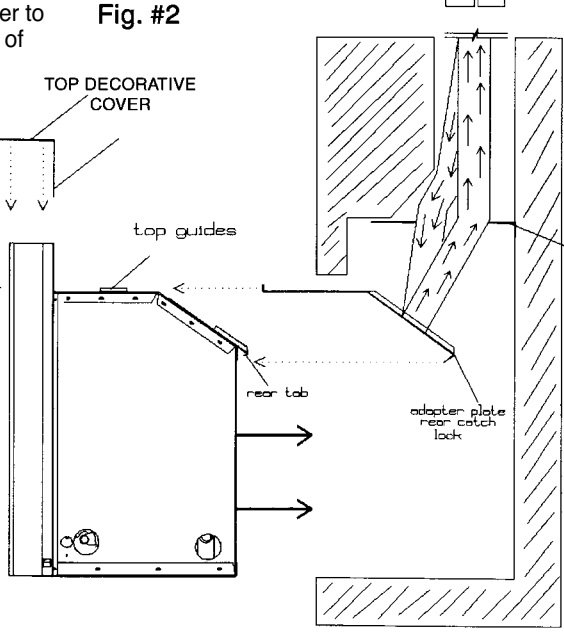


Fig. #2

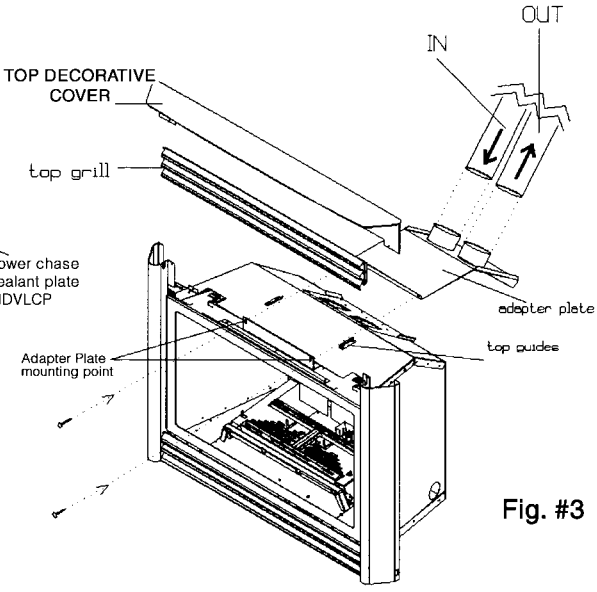
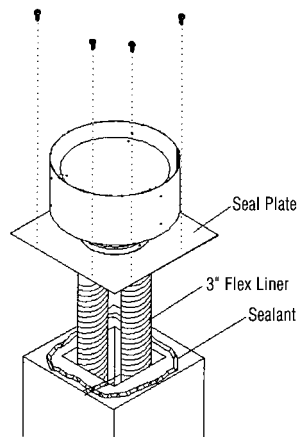


Fig. #3

INSTALLATION INSTRUCTIONS Vertical Termination IDVVT



1. Before attaching the flex vents to the termination, you will have to determine how the cap will be attached to the existing chimney crown, clay lined chimney or wood stove vent pipe. The Seal Plate of the termination may be cut, notched and formed to make a good seal to the existing vent or be left flat.
2. Using a high quality sealing compound (RTV Silicone) place a bead of sealant onto the vent or chimney top. This will provide a seal against water and rain from entering the existing flue.

Venting System:

- IDVVT Vertical Vent Termination
- IDVFK25 Flex Pipe kit (2ea 3" x 25ft unexpanded flex pipes complete with millpac, screws.)
- #0991 Simpson Duravent Co-linear Termination HW Vertical Top
- #0923GK Simpson Duravent Co-linear Adapter for Co-Liner Termination

Note: When using Simpson Duravent Termination order both #0991 and #0923GK

	Vertical (rise)	Horizontal (run)
Min.	10 ft - 3.1m	0 ft - 0.0m
Max.	40 ft - 12.2m	2 ft - 0.6m

WARNING: Failure to position the parts in accordance with these diagrams or failure to use only parts specifically approved with this appliance may result in property damage or personal injury.

IDV33 / IDV36 Insert Surround Installation

THREE PIECE SURROUNDS

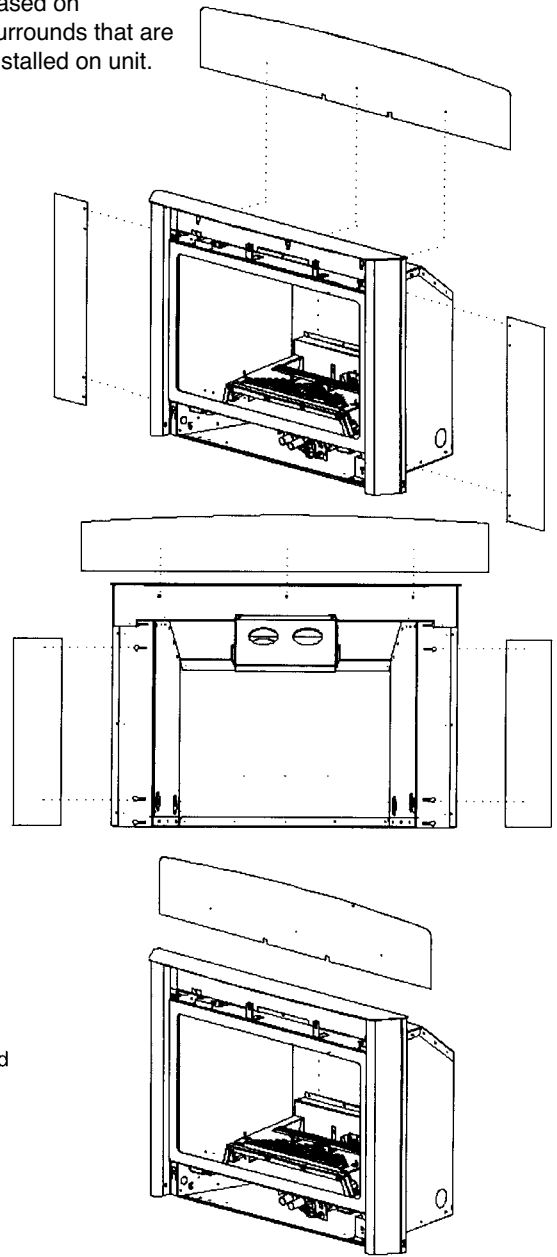
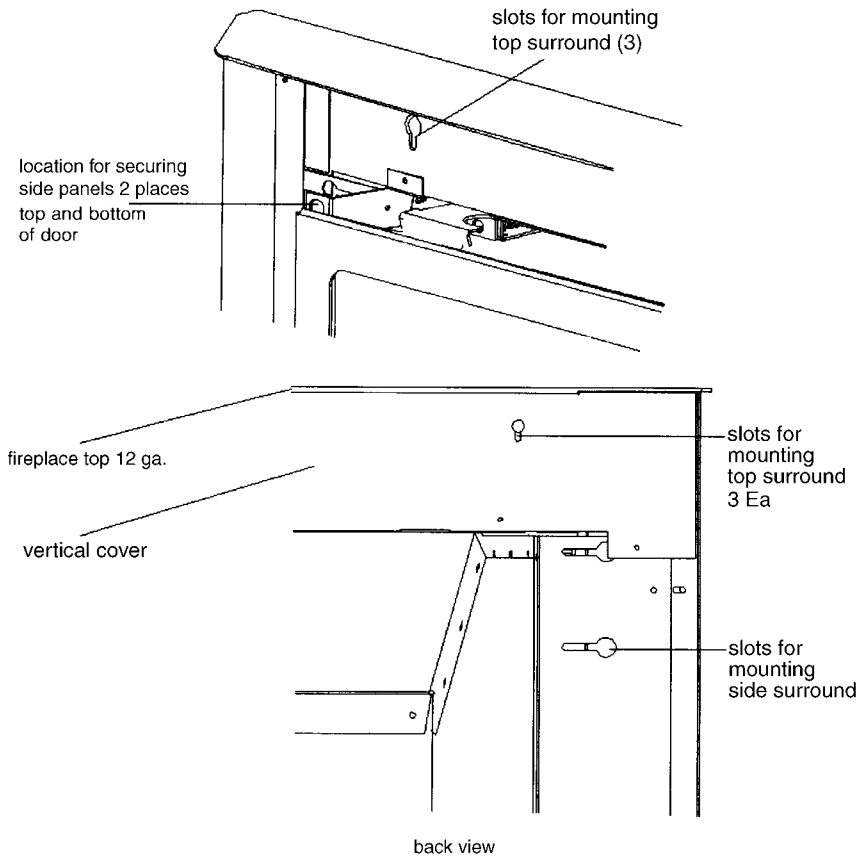
1. When installing 3 pc surround, install side panels first.
2. Slide side panels in place. Make sure the pre-set screws slide into the slots located behind the side columns. Do not tighten screws. You will need to line up the top panel first.
3. Slide top panel into place. The top panel lines up with 3 slots behind the top grill. Secure the top panel in place with the 3 pre-set screws.
4. Once the top panel is secured, line up sides with the top and tighten using the pre-set screws. There are two locations on each side panel.

For installing I33S3426B or I36S3931B (1 pce surround) see step 3.

The I33S4535B and I36S4736B (1 pce surround) was designed to be used as a custom cut out surround. Simply trace template and cut out design using the universal surround.

Part No.	Description	
I33S3426B	1 pce top	34 1/2" x 26 5/8"
I33S4028B	3 pce small	40" x 28"
I33S4430B	3 pc large	44" x 30 1/2"
I33S4535B	1 pce universal	45" x 35"
I36S3931B	1 pce top	39" x 31 3/4"
I36S4432B	3 piece	44" x 32 3/8"
I36S4736B	1 pce universal	47" x 36"

* dimensions are based on surrounds that are installed on unit.

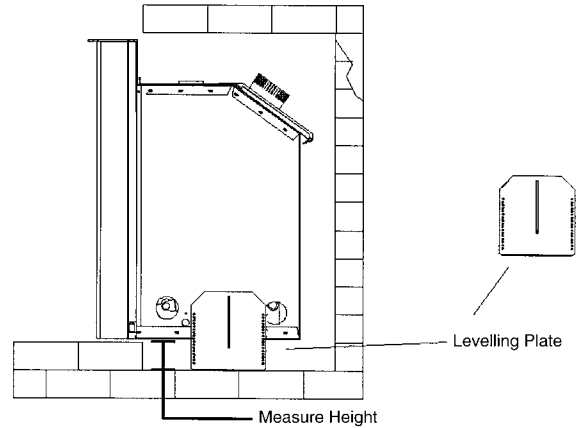


IDV33 / IDV36 Riser Kit and Levelling Instructions

IDV33 / IDV36 INSERT LEVELLING INSTRUCTIONS

When installing insert it may be necessary to support back of unit. To support back of insert, there are two levelling plates right and left of unit.

- Step 1: Measure height required to level unit.
- Step 2: Remove 2 outer screws and loosen center screw holding each plate into position.
- Step 3: Slide plates to the required height and align with appropriate holes. Each set of holes equals to a 1/4" of movement up to a maximum of four inches. Insert and tighten all screws. (eg: 1" of movement equals to 4 holes)



IDV33 / IDV36 INSERT RISER KIT INSTALLATION INSTRUCTIONS

MODEL No.: I33R40 / I33R44

- Step 1: Measure height required to make flush with base of unit, Fig. 1. If measurement equals to the height of riser kit 2.5" skip to Step 3. No adjustment will be required.
- Step 2: Adjust levelling legs to required height in Step 1, Fig. 3 (Detail A).
- Step 3: Locate mounting holes punched into base right and left of unit. Place riser assembly under front of insert and fasten to base with supplied screws, Fig. 2.

FIG. 1

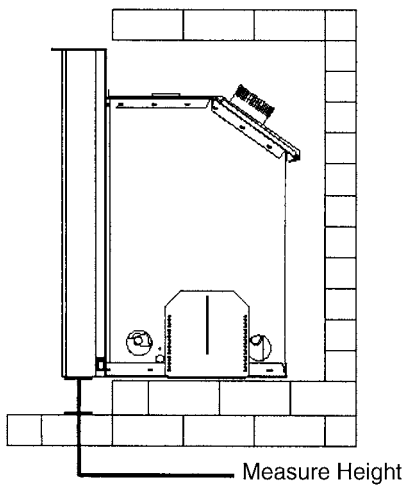
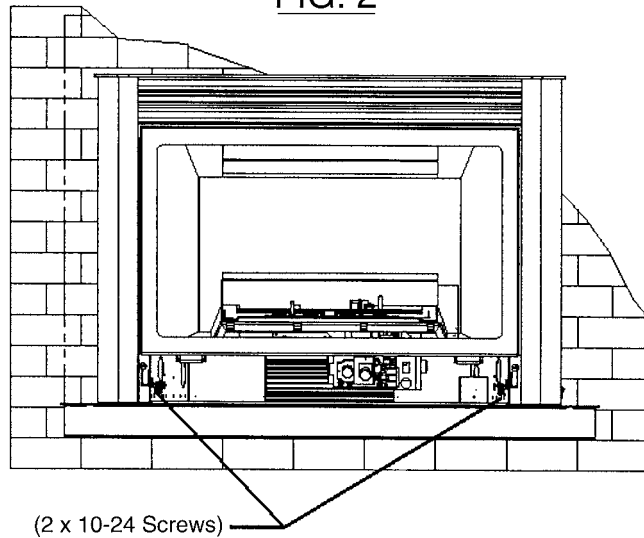
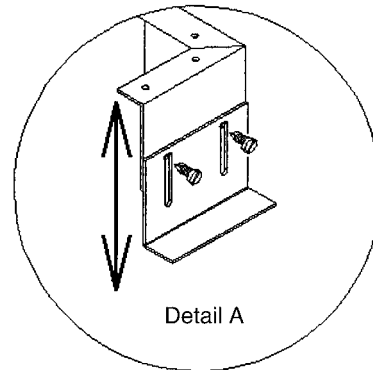
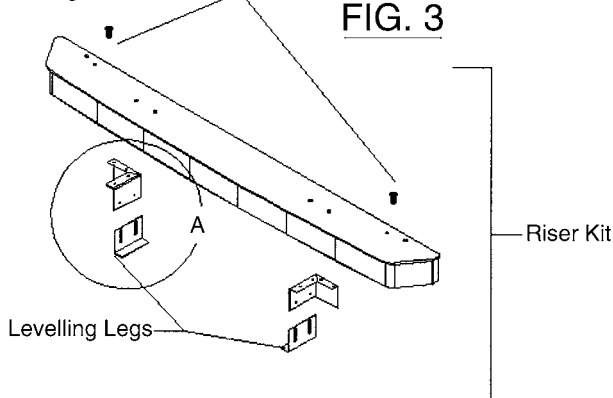


FIG. 2



Mounting Screws

FIG. 3



General Glass Information

Glass Cleaning

It will be necessary to clean the glass periodically. During start-up, condensation, which is normal, forms on the inside of the glass and causes dust, lint etc. to cling to the glass surface. Also, initial paint curing can deposit a slight film on the glass. It is therefore recommended that initially the glass be cleaned two or three times with non-abrasive common household glass cleansers and warm water. After that, the glass should be cleaned two or three times a season depending on the circumstances.

Cautions and Warnings

- Do not clean when the glass is hot.
- The use of substitute glass will void all product warranties.
- Care must be taken to avoid breakage of the glass.
- Do not operate this fireplace without the glass front or with a broken glass front.
- Do not strike or abuse glass.
- Do not use abrasive cleaners.

Glass Replacement

REPLACEMENT GLASS FOR BOTH DIRECT VENT UNITS

Only Robax ceramic or coated Neoceram glass may be used for replacement. Must be minimum 5mm thick.

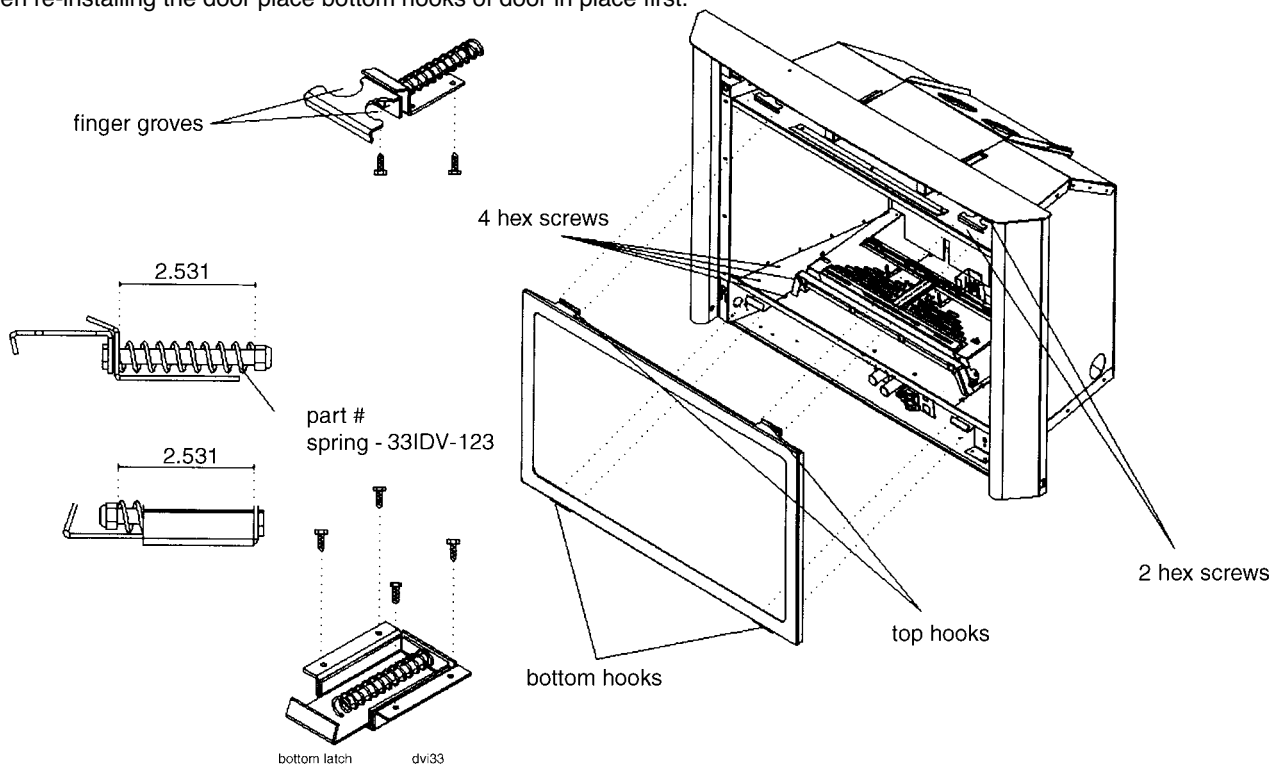
Removal of the Glass Door

1. To remove, see Door/Door Latch Installation section below.
2. To replace glass, clean all materials from door frame. Using a high heat silicone (temperature-resistant to 500°F (260°C) apply a bead of approximately 1/32" to all four sides of frame and insert glass with new gasket. Frame should be on flat surface, with a small amount of weight pressing glass into silicone. Let dry approximately 15 to 20 minutes. The door can be re-installed by reversing Step 1 of Removal of Door Instructions.

Door / Door Latch Installation

REMOVAL OF DOOR:

1. Remove door by unlatching the 2 top latches. Simply place two fingers in the grooves. Pull towards yourself and lift upwards slightly.
2. Once the top of the door is unlatched, simply pull outwards and lift upwards to unlatch the bottom.
3. When re-installing the door place bottom hooks of door in place first.



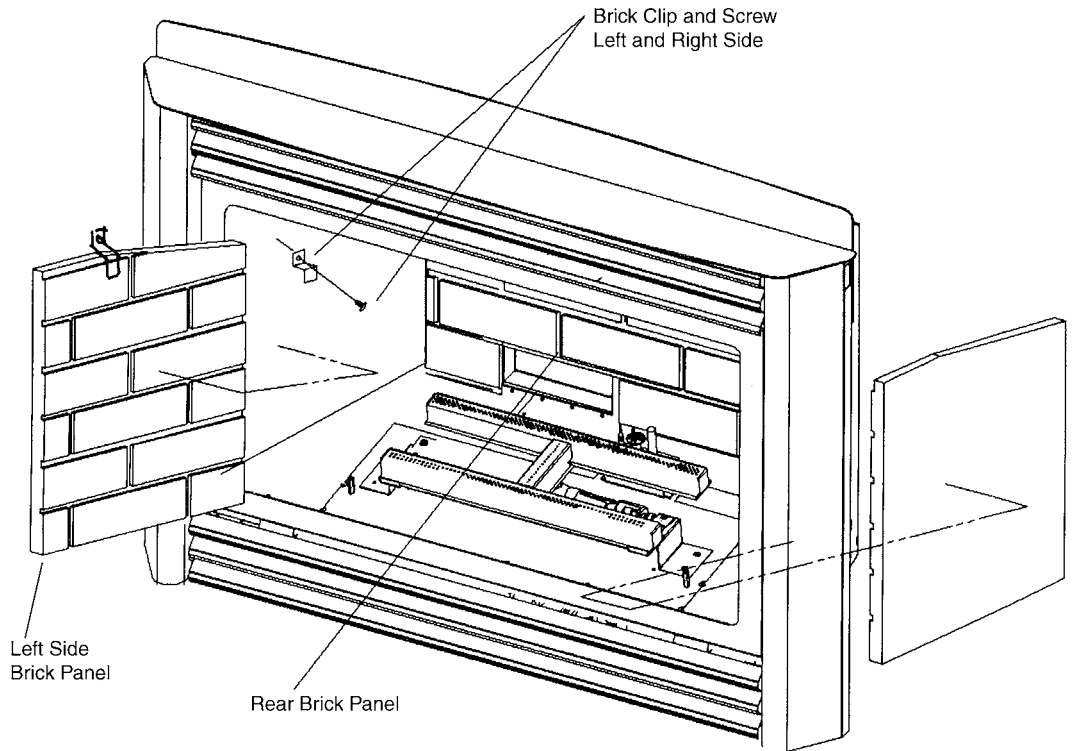
SPRING REPLACEMENT:

Over time, spring may need to be replaced if tension is lost. Replace spring as follows:

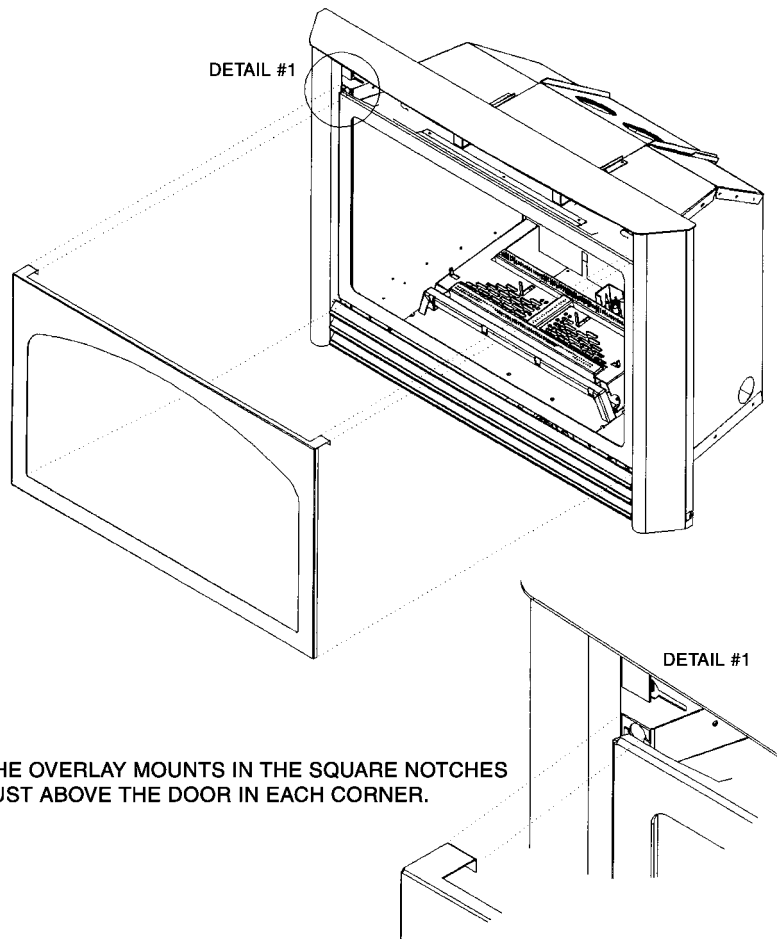
1. To remove a top latch, remove the 2 hex screws that secure it in place. They are located in the firebox.
2. To remove a bottom latch, remove the 4 hex screws located in the firebox bottom beside the burner assembly.
3. Once the screws are all removed, the latches will either fall or slide out of place.
4. There is 1 lock nut per latch. When replacing a spring, tighten the lock nut to a total of 2.531". This is critical for proper tension.

Brick Panel Installation

1. Remove door assembly, two latch behind top grill assembly.
2. Install rear brick panel first.
3. Install left and right panels and secure with brick clip.



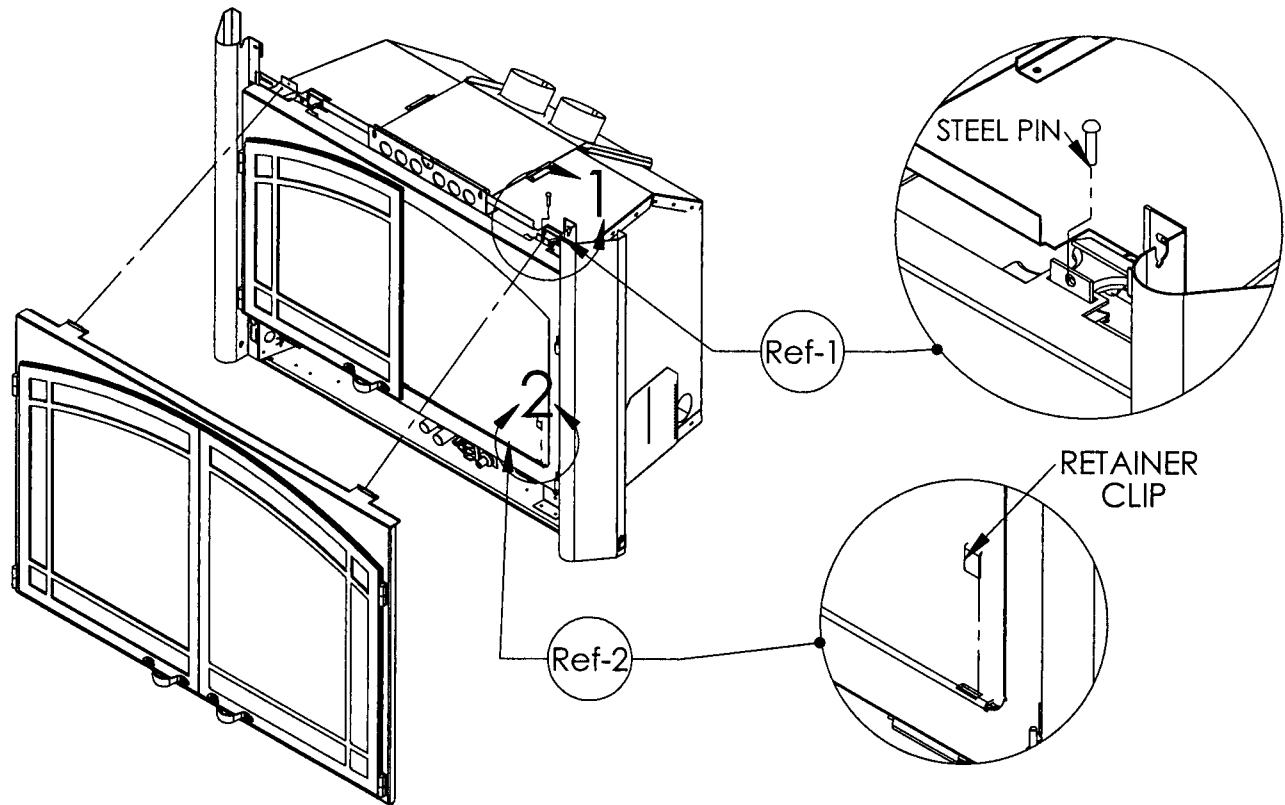
IDV 33 Installation of Overlays



IDV33 & IDV36 Double Door Installation

Step 1: Place Double Door over fireplace glass door and insert steel pins into latching mechanism (Ref-1)

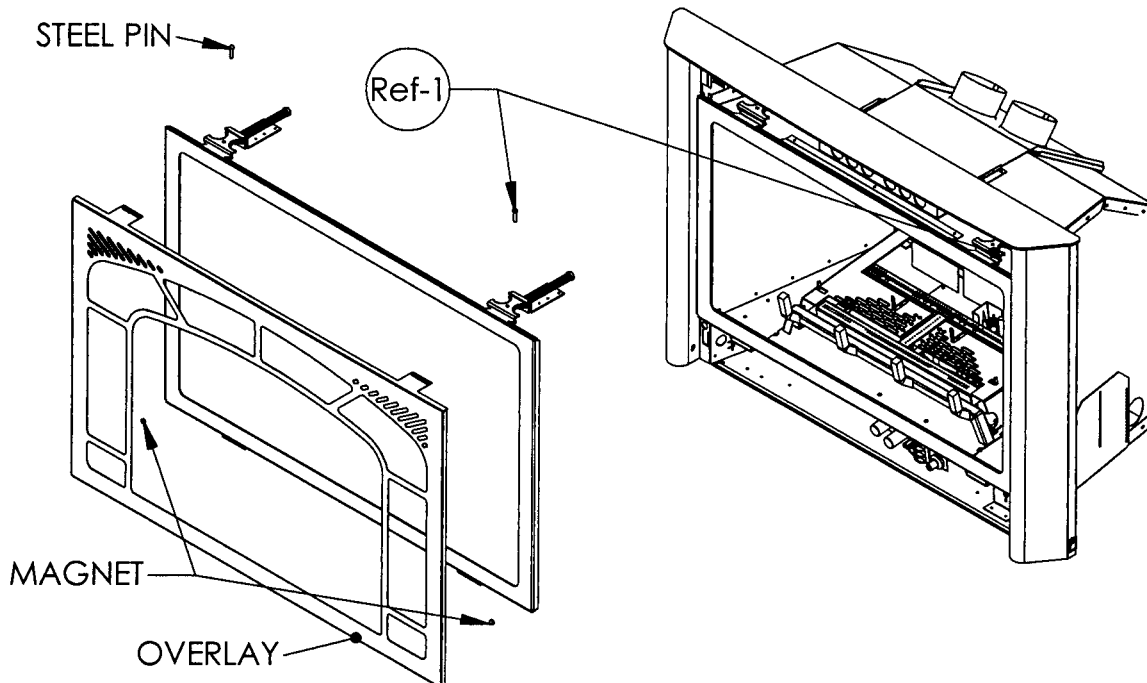
Step 2: Slide bottom double door retainer clip down into position making sure fireplace door is between opening of retainer. (Ref-2)



IDV36 Overlay Installation

Step 1: Place Overlay over fireplace glass door and insert steel pins into latching mechanism. (Ref.-1 Top of Page)

Step 2: Make sure magnets are at opposite bottom corners to fasten bottom.



Fan System – Access Panel/Fan Removal

NOTE: Make sure power supply is shut off first!

Label all wires prior to disconnecting when servicing control. Wiring errors can cause improper and dangerous operation.

NOTE: When RE-SEALING access panel in the firebox, use high temp. silicone/millpac.

NOTE: For fan servicing, vacuum and blow lint or dirt build up from fan blades/motor.

1. Remove glass door assembly and log set if installed.
Be sure to handle logs carefully as they become fragile after heated.
2. Remove back air shield by unscrewing (4 screws).

3. Remove fan access panel (15 screws). It is located on the back and bottom right hand corner.
4. Remove the fan from the outer shell (2 hex screws). The fan needs to be twisted and rotated slightly. The fan's motor end will be lifted out first.
5. Reinstall fan, bracket and all necessary components, as shown below, once completed.

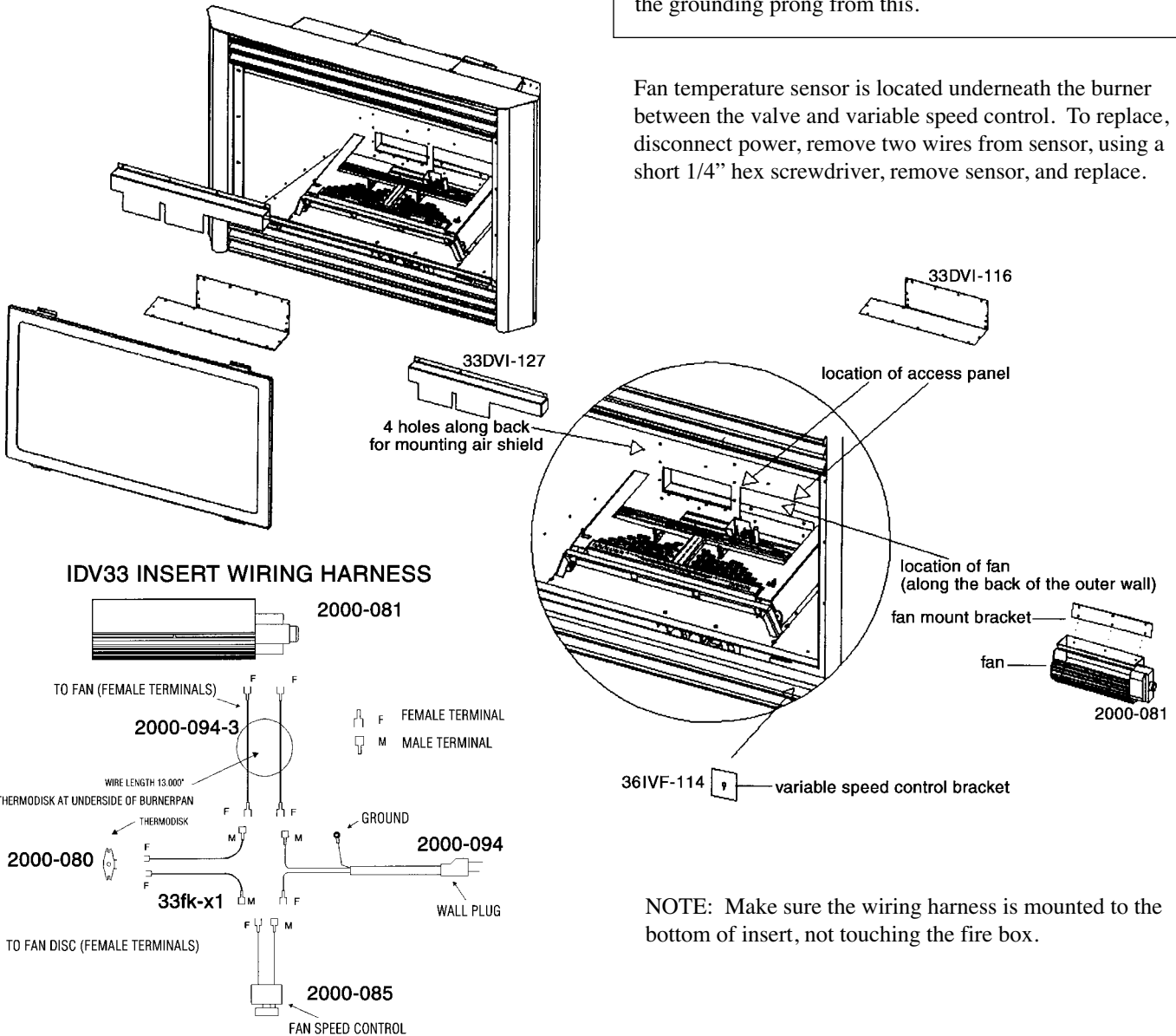
Verify proper operation after servicing.

WARNING

Electrical Grounding instructions

This appliance is equipped with a three prong (grounding) plug for your protection against shock hazard and should be plugged directly into a properly grounded three-prong receptacle. Do not cut or remove the grounding prong from this.

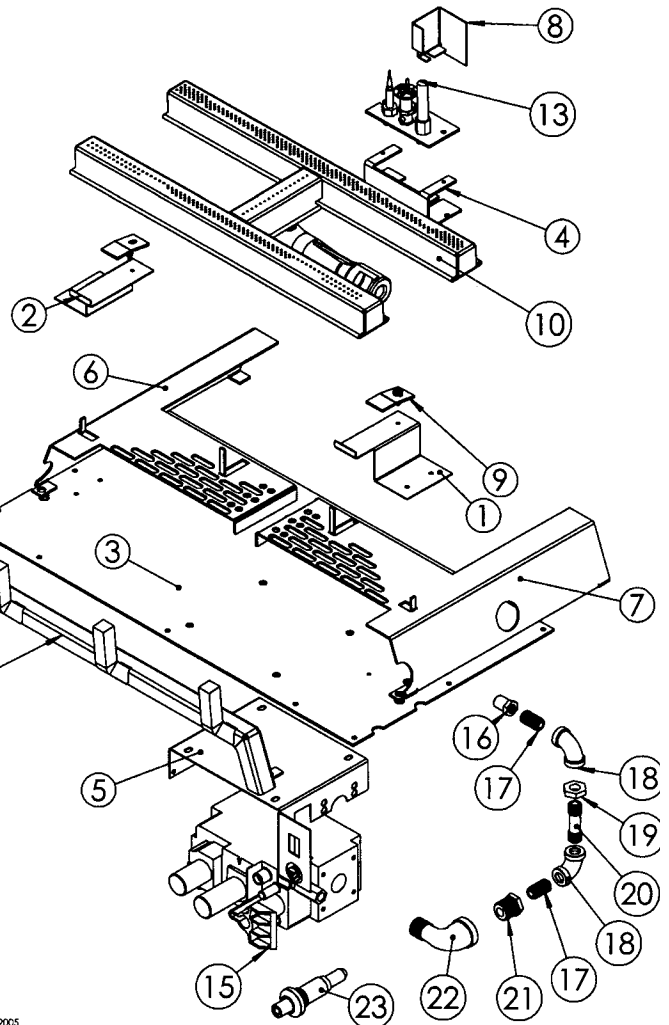
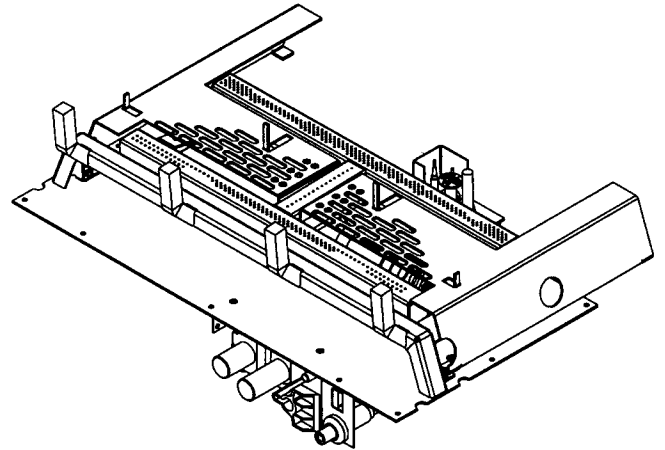
Fan temperature sensor is located underneath the burner between the valve and variable speed control. To replace, disconnect power, remove two wires from sensor, using a short 1/4" hex screwdriver, remove sensor, and replace.



NOTE: Make sure the wiring harness is mounted to the bottom of insert, not touching the fire box.

IDV33/IDV36 Insert Burner Component List

ITEM NO.	PART NUMBER	DESCRIPTION	QTY.
1	3620-105	BURNER BRKT	1
2	3620-105L	BURNER BRKT	1
3	DVI33-107	BURNER PAN	1
4	3620-111	PILOT BRKT	1
5	6000-112	VALVE BRKT	1
6	DVI33-125I	BURNER TRIM PLATE	1
7	DVI33-125r	BURNER TRIM PLATE	1
8	DVI33-129	PILOT SHIELD	1
9	4200-132	BURNER HOLD DWN	2
10	350-210	FRONT BURNER	1
10	350-211	REAR BURNER	1
10	5000-213	BURNER CROSSOVER	1
10	5000-214	CROSSOVER BOTTOM	1
10	5000-215	BURNER BOTTOM	2
10	1001-281	SHORT MIXING TUBE	1
11	2000-224	GRATE BAR HOLDER	1
11	38VF-119	GRATE BAR	4
12	1001-P713SI (LP)	SIT PILOT ASSEMBLY	
13	1001-P714SI (NG)	SIT PILOT ASSEMBLY	1
14	1000-P634SI (LP)	NOVASIT-820 GAS VALVE	
15	1000-P634SI (NG)	NOVASIT-820 GAS VALVE	1
16	1000-255	1/8" ORIFICE	1
17	1000-253	1/8" x 3/4" CLOSED NIPPLE	2
18	2000-213	ELBOW 90° .125	2
19	1000-P203VE	1/8 BRASS LOCK NUT	1
20	6000-P113VE	1.500 x .125 NIPPLE	1
21	1000-P202VE	375 x 125 BUSHING	1
22	1000-245	375 90° STREET	1
23	1000-214	PIEZO IGNITER	1
24	1000-215	PIEZO PAL NUT (18x1.5mm)	1



IDV 36
#32 BRASS CAP ORIFICE NATURAL



SET PRIMARY AIR .187" (3/16")

IDV 33
#35 BRASS CAP ORIFICE NATURAL



SET PRIMARY AIR .187" (3/16")

IDV 33 & IDV 36
#51 BRASS CAP ORIFICE PROPANE

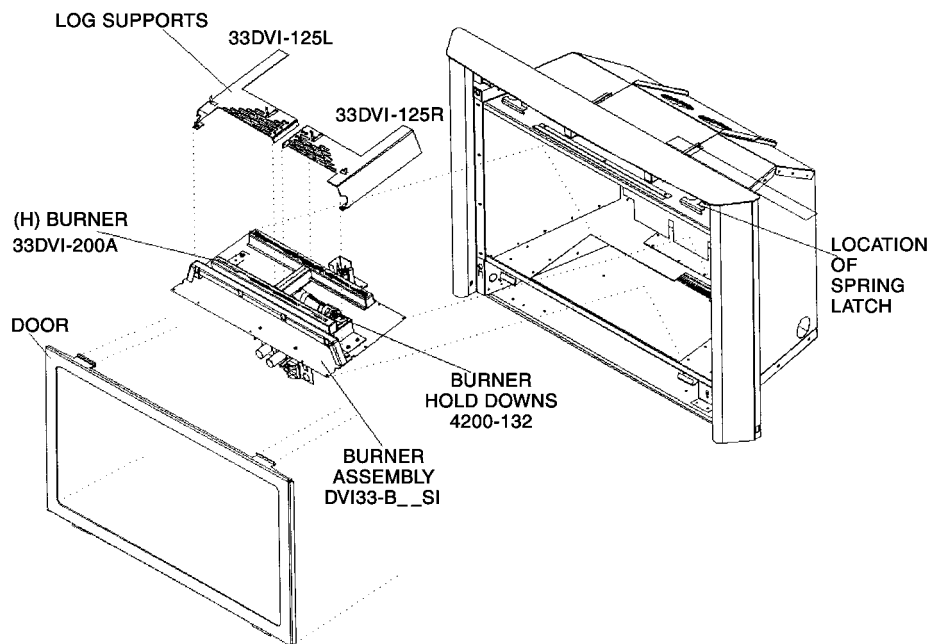


SET PRIMARY AIR .500" (1/2")

C:\SLDW-DXF\Gas-SLDW\1-inserts\IDV33\IDV33-H-BURN-explode 9/28/2005

Burner Installation/Removal

1. Remove glass door assembly and logs if installed. Be careful with logs as they become fragile after being heated.
2. Lift log supports off burner assembly by lifting straight upwards.
3. The burner or burner assembly can now be removed.
 - A - TO REMOVE BURNER ASSEMBLY
Locate and remove the 12 screws around the outside of the burner assembly (to remove entire burner assembly).
 - B - TO REMOVE (H) BURNER/ORIFICE CHANGE
Remove the 2 screws holding the (H) burner in, and slide leftwards off the orifice.
4. If removing entire burner assembly, break seal and lift upwards. Make sure the gas to the unit has been disconnected.
5. To reinstall the burner assembly, use high temp millpac to seal and secure with the 12 screws.
6. Reinstall log support, logs and door.



MILLIVOLT SYSTEM, LIGHTING, & BURNING CONTROL

FOR YOUR SAFETY READ BEFORE LIGHTING

WARNING: If you do not follow these instructions exactly, a fire or explosion may result causing property damage, personal injury or loss of life.

BEFORE LIGHTING

- A** This appliance has a pilot which must be lighted by hand. When lighting the pilot, follow these instructions exactly.
- B** Smell all around the appliance area for gas. Be sure to smell next to the floor because some gas is heavier than air and will settle on the floor.

WHAT TO DO IF YOU SMELL GAS

- Do not try to light an appliance.
- Do not touch any electrical switch; do not use any phone in your building.
- Immediately call your gas supplier from a neighbour's phone. Follow the gas supplier's instructions.

- If you cannot reach your gas supplier, call the fire department.
- C** Use only your hand to push or turn the gas control knob. Never use tools. If the knob will not push in or turn by hand, don't try to repair it, call a qualified technician. Force or attempted repair may result in a fire or explosion.
- D** Do not use this appliance if any part has been under water. Immediately call a qualified service technician to inspect the appliance and to replace any part of the control system which has been under water.

LIGHTING INSTRUCTIONS

1. Stop! Read the safety information above on this label.
2. Set the thermostat to lowest setting.
3. Turn off all electrical power to the appliance.
4. Locate valve under the burner assembly.
5. If the control knob is not already in the off position, ie. the word "OFF" in the 9 o'clock position, then push in the gas control knob slightly and turn clockwise to "OFF".
NOTE: Knob cannot be turned from "PILOT" to "OFF" unless knob is pushed in slightly. Do not use force.
6. Wait five (5) minutes to clear out any gas. If you then smell gas. STOP! Follow "B" in the safety information above on this label. If you don't smell gas then go to the next step.
7. Now push in the control knob slightly and turn counter-clockwise to the "PILOT" position.
8. Push in the control knob all the way and hold it. With the other hand push in the red ignitor button until you hear a click. Now observe closely the pilot burner located on the rear center-left hand side of the main burner. If a flame has appeared then continue to depress the control knob for 20 seconds. If the flame did not appear then continue to depress the red ignitor button every 5 seconds until a flame is established. NOTE: If after 30 seconds a flame has not yet been established then turn the control knob back to the off position and repeat steps 5, 6 & 7.
9. Once the pilot has been established hold the control knob in the depressed position for approximately 25 seconds before releasing. If the flame goes out then repeat steps 7 and 8.
10. Now turn the control knob to the "ON" position. The burner will not light unless the wall switch thermostat or remote control is turned "ON" or in the case of the thermostat there is a call for heat.
11. Close the access door and turn all electric power back to the appliance.

TO TURN OFF THE APPLIANCE

1. Set the thermostat to lowest setting.
2. Turn off all electric power to the appliance if service is to be performed.
3. Open the control access door.
4. Push in the gas control knob slightly and turn clockwise to the "OFF" position. Do not force.
5. Replace control access panel.

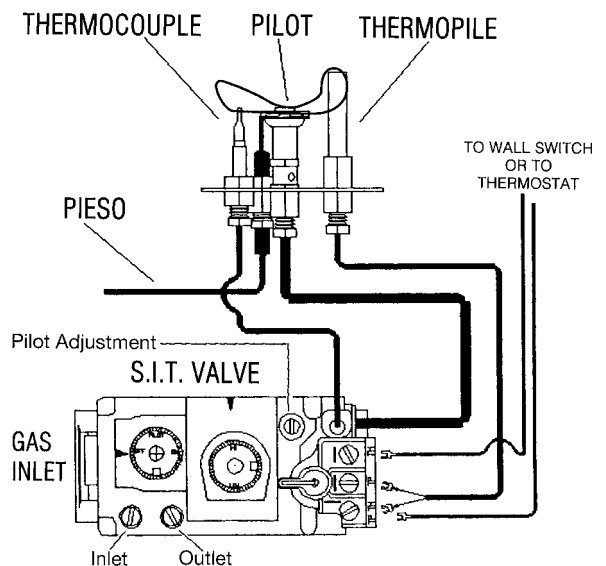
Recommended Maximum Lead Length (Double Wire) When Using Wall Switch or Thermostat

Wire Size	Max. Length
14 GA.	100 FT.
16 GA.	64 FT.
18 GA.	40 FT.
20 GA.	25 FT.
22 GA.	16 FT.

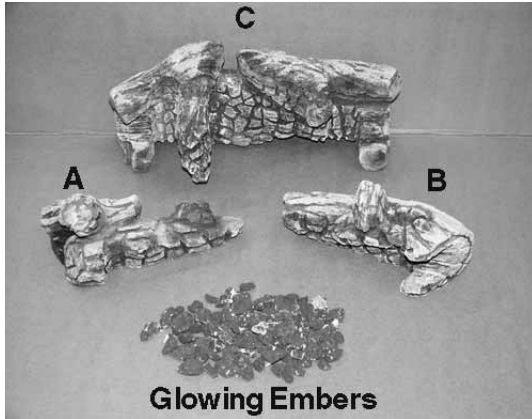
Pilot Burner Adjustment

1. Adjust pilot screw to provide proper sized flame.

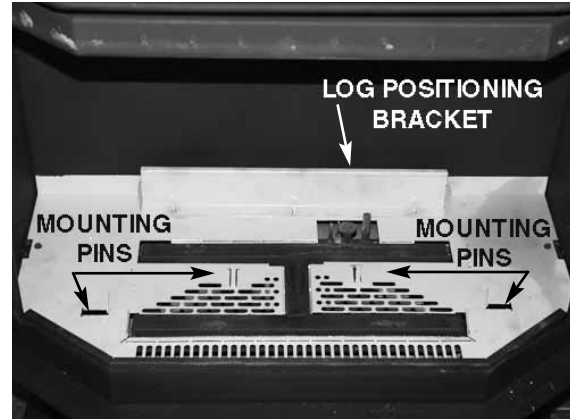
CAUTION: DO NOT WIRE 120 VOLT POWER TO MILLI-VOLT SWITCHES OR THERMOSTAT.



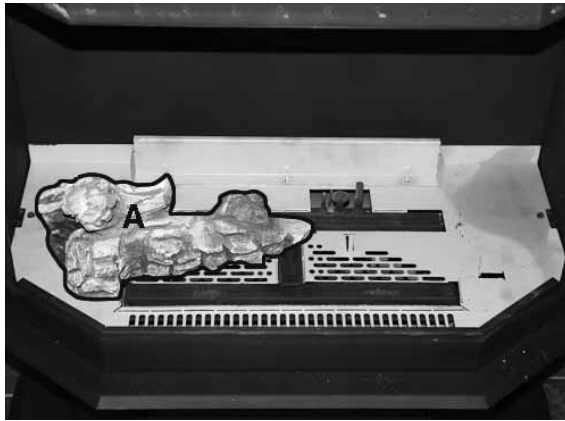
LOG PLACEMENT - LOGF35



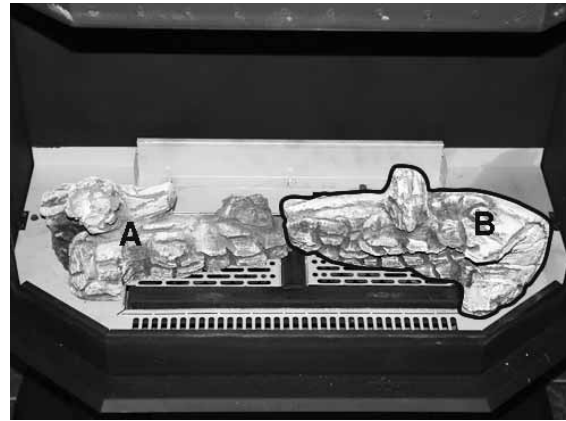
LOGF35 Log Set and Glowing Embers



Shows rear log positioning bracket and 4 pin locating positions.



Log A has 2 locating holes, position the 2 holes on the log over the 2 pins on the left side of the log mounting pan as shown in the picture.



Log B has 2 locating holes, position the 2 holes on the log over the 2 pins on the right side of the log mounting pan as shown in the picture.



Log C has to be lowered into position just behind logs A and B. Log C has an area notched out of the rear of it to fit over rear positioning bracket as shown in the picture.

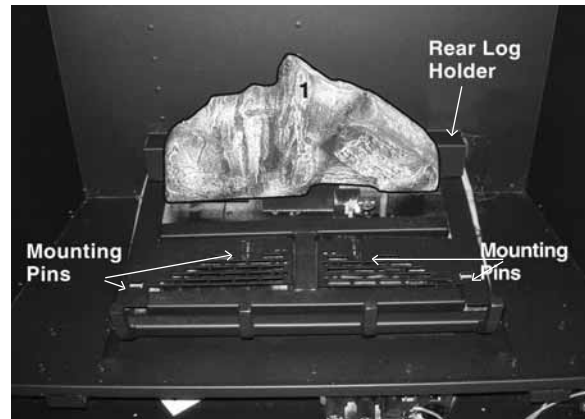


A bag of Ember chunks is supplied with the log set, it is very important that these chunks are placed onto the front burner and log mounting pan as shown in the picture, spread the ember chunks out no more than on Layer deep.
NOTE: IF YOU DO NOT FOLLOW THIS INSTRUCTION CORRECTLY SOOTING PROBLEMS CAN OCCUR.

LOG PLACEMENT - LOGF36



LOGF36 Log Set and Glowing Embers, Lava Rock and Vermiculite.



Place Log #1 onto rear log holder and center.



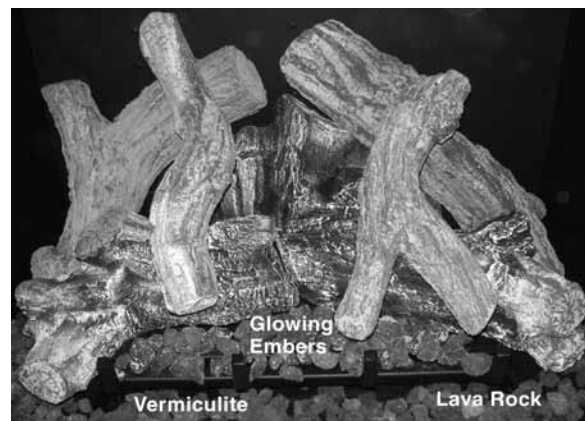
Place Log #2 onto left side of Log #1. Place Log #3 onto right side of Log #1.



Locate 2 holes on bottoms of Logs #4 and 5, position onto mounting pins.



Locate 1 hole bottom of Log #6 and place onto pin of Log #2. Locate 2 holes bottom of Log #7 and place onto pins of Log #5.



Place Glowing Ember kit onto front Burner Tube and Ember Plates, Lava Rock and Vermiculite are to be place onto firebox ONLY.

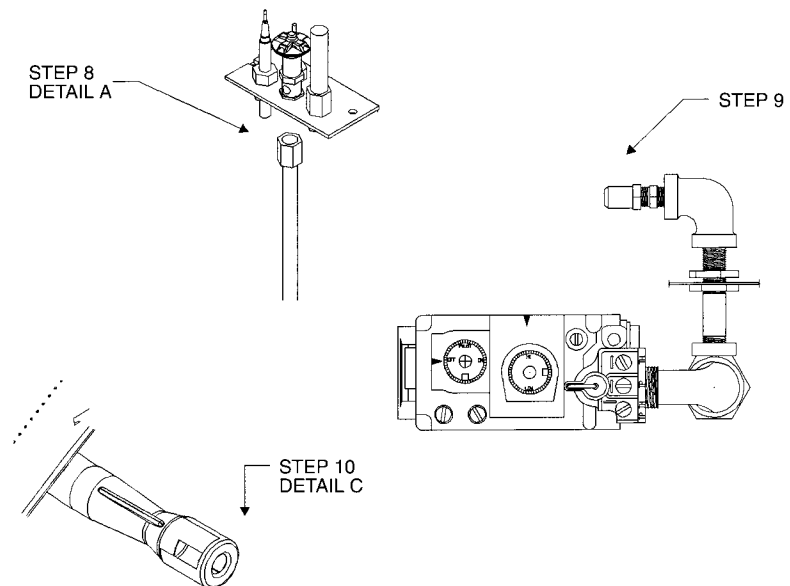
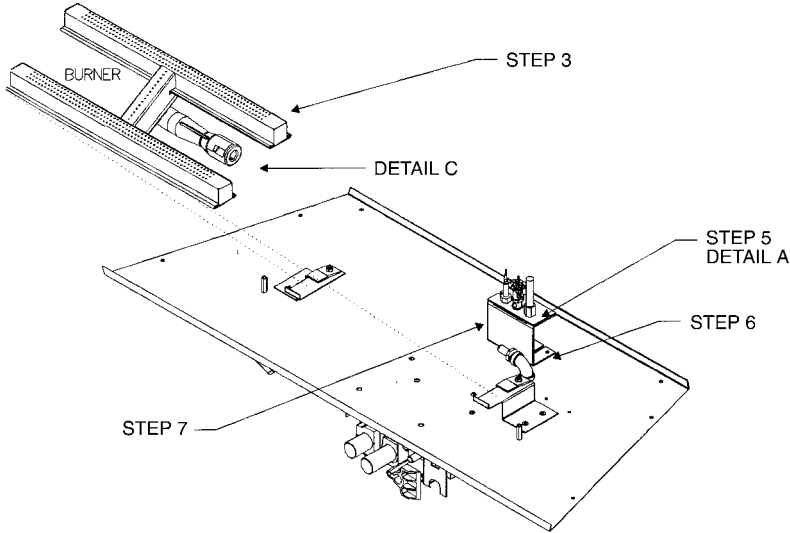
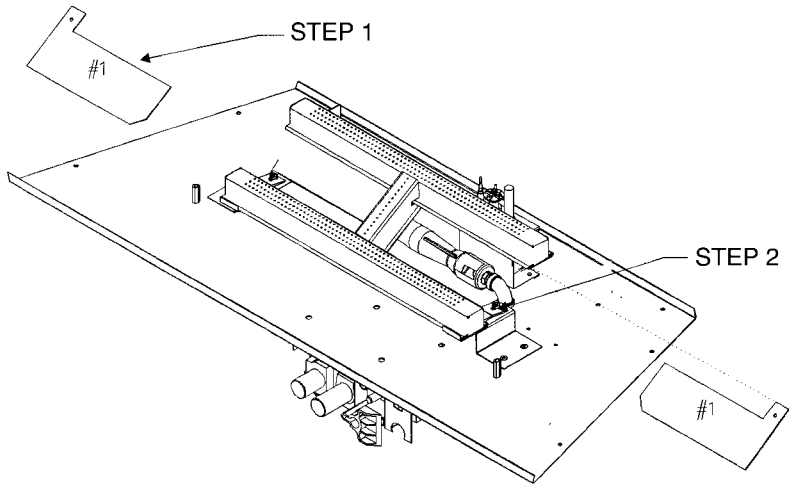


CONVERSION KIT INSTRUCTIONS

PLEASE CONFIRM THAT STEP 4 IS UNDERSTOOD BEFORE PROCEEDING WITH CONVERSION.

“Warning”

This conversion kit shall be installed by a qualified service agency in accordance with the manufacturer’s instructions and all applicable codes and requirements of the authority having jurisdiction. If the information in these instructions is not followed exactly, a fire, explosion or production of carbon monoxide may result causing property damage, personal injury or loss of life. The qualified service agency is responsible for the proper installation of this kit. The installation is not proper and complete until the operation of the converted appliance is checked as specified in the manufacturer’s instructions supplied with the kit”



SECTION A

- Step 1: Remove the 2 ember plates from the burner. This step may not be required, depending on the type of burner assembly.
- Step 2: Loosen the 2 screws holding the burner in place.
- Step 3: Slide the burner to the left to expose the orifice.

Step 4: Before going any further you need to verify which pilot system is in use:

- If there is a spring clip below the pilot hood, proceed to the other side of page, Section B, Step 5.

- Step 5: Remove the 2 screws that hold the pilot to the bracket.
- Step 6: Remove the 2 screws that attach the pilot bracket to the firebox bottom.
- Step 7: Remove the pilot bracket to expose the pilot assembly.
- Step 8: Remove the pilot tube and nut from the pilot assembly using a 10mm wrench, slide the tube and nut down. You may have to tap the pilot hood lightly to release the pilot orifice. Place new pilot orifice into the pilot assembly and reinstall the pilot tube and nut. Tighten with wrench.
Reinstall pilot bracket at this time.
- Step 9: Remove main orifice using a 1/2" wrench and replace with new conversion orifice.
- Step 10: Adjust the primary air setting to the correct setting as specified in the manual or label plate. To adjust the air setting, loosen the screw on the side of the tube and rotate to the correct opening using a drill bit or tape measure. Retighten screw.
Reinstall burner at this time reversing STEPS 3, 2 and 1.
- Step 11: Follow instructions supplied with the conversion HI LOW to convert the valve from one type of fuel to the other.
- Step 12: Check for gas leaks around the pilot burner tube and face of valve.
- Step 13: Attach conversion label to label plate on bottom of unit, writing information as needed.

Section B Installation Instructions

GAS CONVERSION KIT FOR TOP CONVERTIBLE PILOT SERIES 019065X



Instructions for converting SIT 190 series pilot burner injection from NG to LPG and from NG to LPG Only. This information should be considered as supplemental to the Appliance Manufacturer's Instructions.

WARNING!

The installation of this conversion kit must only be undertaken by a qualified and certified gas appliance installer.

- 1 Shut off the gas supply to the appliance.
- 2 Allow the pilot burner to cool to room temperature.
WARNING: Touching a hot pilot burner can result in injury.
- 3 The pilot hood is held in place by spring pressure. Remove the hood by pulling it directly up from the pilot bracket (1).
- 4 Insert a 5/32" or 4mm Allen wrench into the hexagonal key-way of the injector (2), and rotate it counter clockwise until it is free of the injector journal (3).
- 5 Verify that the new injector is proper for the application. The injector size is stamped on the side of the injector near the top. LPG injectors have a groove machined around their circumference near the top, while NG injectors do not have a groove (5). Refer to the Appliance Manufacturers instruction sheet for the proper injector size.
- 6 Insert the Allen wrench into the end of the injector. Then, insert into injector journal, and rotate the injector clockwise until a torque of 9 in-lbs. is achieved.
- 7 Replace the pilot hood by aligning the tab on the base of the hood with the slot in the side of the pilot journal, and push the hood down, directly onto the pilot bracket (4). The hood must sit squarely on the bracket for proper operation. Check to insure that the hood is properly seated onto the pilot bracket.
- 8 Proceed to Section A, Step 9.



fig. 1



fig. 2



fig. 3



fig. 4

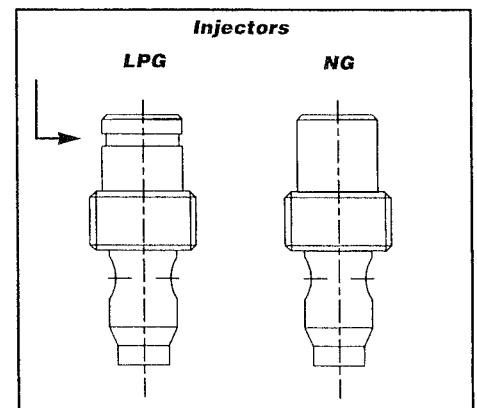


fig. 5

WARNING!

This conversion kit must only be applied as part of a conversion kit supplied by the appliance Manufacturer for the specific appliance, and type of gas being converted.

INSTALLER NOTICE. These instructions must be left with appliance.

IDV33 Parts List

PART NO.	DESCRIPTION
Fireplace Part Numbers	
IDV33N	INSERT DIRECT VENT FIREPLACE (Natural Gas) 31,500 BTU
IDV33LP	INSERT DIRECT VENT FIREPLACE (Liquid Propane) 28,500 BTU

FIREPLACE REQUIREMENTS

Log Sets (Required for each unit)

LOGF35	Log Set Fibre Split Oak(350 Series)
--------	-------------------------------------

IDV33 Grills

Z6GBA	Grill Kit - Classic Builder Antique Brass
Z6GBC	Grill Kit - Classic Builder Chrome
Z6GBP	Grill Kit - Classic Builder Polish Brass
VI30GBL	Grill Kit - Black
VI30GAB	Grill Kit - Antique Brass
VI30GPB	Grill Kit - Polish Brass
Z6GCR	Grill Kit - Chrome
VI30PBL	Panel Grill Kit - Black

Fireplace Accessories IDV33

IDV33 Surround Kits

I33S3426B	Top Piece Only
I33S4028B	Top and Sides
I33S4430B	Top and Sides
I33S4535B	Universal For Custom Applications

Door Frames Overlays

Z33ADDX	Arch Door Frame - Deluxe Black (352)
Z33ADTH	Arch Door Frame - Top Half Black (353T)
Z33ADDA	Arch Door Frame - Double Arch Black (354)
Z33ADDD	Arch Door Frame - Double Door Arch Black (355)

Designer Doors for IDV33

Z33DDA1BL	Designer Door Arch - Series 1 - Black
Z33DDTA1A	Trim - Antique for Designer Arch - Series 1
Z33DDTA1C	Trim - Chrome for Designer Arch - Series 1
Z33DDTA1P	Trim - Polish Brass for Designer Arch - Series 1
Z33DDS1BL	Designer Door Straight - Series 1 - Black
Z33DDTS1A	Trim - Antique for Designer Straight - Series 1
Z33DDTS1C	Trim - Chrome for Designer Straight - Series 1
Z33DDTS1P	Trim - Polish for Designer Straight - Series 1

Brick Liners

IDV33RL	
---------	--

Conversion Kits IDV33

IDV33 Conversion Kits

33IDV-CKNG	Conversion Kit Natural Gas (IDV33N) c/w Reg. Kit NG, Pilot Orifice, Burner Orifice and Conversion Label
33IDV-CKLP	Conversion Kit - Liquid Propane (IDV33LP) c/w Reg. Kit LP, Pilot Orifice, Burner Orifice and Conversion Label

IDV36 Parts List

PART NO.	DESCRIPTION
Fireplace Part Numbers	
IDV36N	INSERT DIRECT VENT FIREPLACE (Natural Gas) 34,250 BTU
IDV36LP	INSERT DIRECT VENT FIREPLACE (Liquid Propane) 30,030BTU

FIREPLACE REQUIREMENTS

Log Sets (Required for each unit)

LOGF35	Log Set Fibre Split Oak
LOGF36	Log Set Fibre Split Oak

IDV36 Grills

IDV36GBA	Grill Kit - Classic Builder Antique Brass
IDV36GBC	Grill Kit - Classic Builder Chrome
IDV36GBP	Grill Kit - Classic Builder Polish Brass
IDV36GBL	Grill Kit - Black
IDV36PBL	Panel Grill Kit - Black

Fireplace Accessories IDV36

IDV36 Surround Kits

I36S3931B	Top Piece Only
I36S4432B	Top and Sides
I36S4736B	Universal For Custom Applications

Door Frames overlays

HB36ADTH	Arch Door Top Half Black
HB36ADDX	Arch Door Frame - Deluxe Black
HB36ADDA	Arch Door Frame - Double Arch Black
HB36ADDD	Arch Door Frame - Double Door Arch Black
HB36CSS	Child Safety Screen - 36" DV Fireplaces

Designer Doors for IDV36

HB36DDA1BL	Designer Door Arch - Series 1 - Black
HB36DDTA1A	Trim - Antique for Designer Arch - Series 1
HB36DDTA1C	Trim - Chrome for Designer Arch - Series 1
HB36DDTA1P	Trim - Polish Brass for Designer Arch - Series 1
HB36DDS1BL	Designer Door Straight - Series 1 - Black
HB36DDTS1A	Trim - Antique for Designer Straight - Series 1
HB36DDTS1C	Trim - Chrome for Designer Straight - Series 1
HB36DDTS1P	Trim - Polish for Designer Straight - Series 1

Brick Liners

IDV36RLT	Traditional
IDV36RLH	Herring Bone

Conversion Kits IDV36

IDV36 Conversion Kits

36IDV-CKNG	Conversion Kit Natural Gas (IDV36N) c/w Reg. Kit NG, Pilot Orifice, Burner Orifice and Conversion Label
36IDV-CKLP	Conversion Kit - Liquid Propane (IDV36LP) c/w Reg. Kit LP, Pilot Orifice, Burner Orifice and Conversion Label

Parts for IDV33 and IDV36

PART NO.	DESCRIPTION
Riser Kits	
I33R40	2 1/2" Riser for use with I33S4028B and I36S3931B
I33R44	2 1/2" Riser for use with I33S4430B and I36S4432B

Other Accessories

Z1MT	Thermostat Millivolt Wall Mount
Z80PT	Thermostat Programmable Digital Millivolt Wall Mount (1F80-40)
Z1RC	Remote Control Millivolt (On/Off with LED) (Model I)
ZART	Remote Control Thermostat Millivolt (Model K)
RMCBN	Remote Control - Basic - Natural Gas (On/Off, Hi/Lo Flame Adjustment, Millivolt Only)
RMCBP	Remote Control - Basic - Liquid Propane (On/Off, Hi/Lo Flame Adjustment, Millivolt Only)
DCHS	Remote Control Heatshield

Replacement Burner Assembly / Burner

33IDV-BNGSI	BURNER ASSEMBLY (NG) - C/W VALVE SYSTEM For use on IDV33N only
33IDV-BLPSI	BURNER ASSEMBLY (LP) - C/W VALVE SYSTEM For use on IDV33LP and IDV36LP
36IDV-BNGSI	BURNER ASSEMBLY (NG) - C/W VALVE SYSTEM For use on IDV36N only
33IDV-200A	H BURNER only For use on IDV33/IDV36

Parts for IDV33 and IDV36

PART NO.	DESCRIPTION
Miscellaneous Parts	
1000-150 GE	#SILICONE GE RED IS806 #736
1000-150 MP	#HI-TEMP MILL PAC SEALANT 840099
1000-214	#PIEZO-IGNITOR 1244-17 MARK 21
1000-215	#PAL NUT (18MMX1.5MM)BLK (1364.03)
1000-255	#ORIFICE BRASS - # 37 Natural Gas
1000-255	#ORIFICE BRASS - # 57 Liquid Propane
350-EMBER	#EMBERS
2000-P5637	#SPRING EXTENSION FOR GRILLS
6000-150	#CERAMIC ROBAX GLASS 27.5 X 16 ID33
36HB-310	CERAMIC GLASS FOR IDV36
36IDV-MAN	#MANUAL - IDV33/IDV36
2000-080	#THERMODISC 2450 (For Blower)
2000-081	#BLOWER MOTOR QLN65/2400
2000-085	#CONTROL VARIABLE SPEED KBWC-13BV
33IDV-123	#REPLACEMENT SPRING FOR DOOR LATCH
33IDV-106A	#ADAPTER PLATE COMPLETE

Parts for IDV33 and IDV36 Venting

IDVVT	Vertical Termination - Co-linear 3"/3"
IDVFK25	2 ea. 3" dia. Unexpanded 25 ft. Flex Pipe, screws/washers, Millpac
IDVLCP	Lower Chase Sealant Plate
ZDV3FC	Flex Connectors 3" Diameter

Trouble Shooting The Gas Control System

WARNING: BEFORE DOING ANY GAS CONTROL SERVICE WORK, REMOVE THE GLASS FRONT.

NOTE: Before troubleshooting the gas control system, be sure external gas shut off is in the “On” position.

Problem	Possible Causes	Corrective Action
Spark igniter will not light.	Defective or misaligned electrode at pilot.	Check for spark at electrode and pilot: if no spark and electrode wire is properly connected, replace igniter.
	Defective igniter (push-button)	Using a match, light pilot. If pilot lights, turn off pilot and push the red button again. If pilot will not light - check gap at electrode and pilot should be 1/8” to 1/4” to have a strong spark.
Pilot will not stay lit after carefully following lighting instructions.	Defective thermocouple (flame switch where applicable)	Check pilot flame. Must impinge on generator and thermocouple. Clean and/or adjust pilot for maximum flame impingement on generator and thermocouple. Replace thermocouple if pilot will not hold. (Hand tight 1/8 turn on replacement)
	Defective valve magnet.	Replace valve, if pilot won't hold after the thermocouple is replaced.
Pilot burning, no gas to burner, Valve knob “ON”, Wall Switch “ON”	Wall switch or wires defective.	Check wall switch and wires for proper connections. Jumper wire across terminals at wall switch. If burner comes on, replace defective wall switch. If okay, jumper wires, across wall switch wires at valve. If burner comes on, wires are faulty or connections are bad.
	Generator may not be generating sufficient voltage.	Check generator with millivolt meter. Take reading at generator terminals of gas valve. Should read 325 millivolts minimum while holding valve knob depressed in pilot position and wall switch “off” Replace faulty generator if reading is below specified minimum.
	Plugged burner orifice.	Check burner orifice for stoppage and remove.
	Defective automatic valve operator.	Remove wall switch wires from gas valve. Install jumper wires from top bottom terminals of gas valve. Turn valve on “ON”. If main burner does not light, replace valve.
Frequent Pilot outage problem.	Pilot flame may be too low or blowing (high) causing the pilot safety to drop out.	Clean and/or adjust pilot flame for maximum flame impingement on generator and thermocouple.
Flame lifts off burner and goes out in less than 30 seconds	3” liner has come off flue or termination, flame is starving for oxygen	Attach 3” liner to flue or termination using screws, silicone and clamps as stated in manual
Flame lifts off burner on one side while the rest of the flame remains lit.	Improper installation of firebrick. Firebrick is likely leaning.	Be sure to position firebrick against firebox walls and be sure to use brick clips attached to the inner side of firebox.



LIMITED LIFETIME WARRANTY

This Limited Lifetime Warranty applies only while the unit remains at the site of the original installation and only if the unit is installed inside the continental United States, Alaska, Hawaii, and Canada. The warranty applies only if the unit is installed and operated in accordance with the printed instructions and in compliance with applicable installation and building codes and good trade practices.

BASIC ONE YEAR WARRANTY

During the first year after installation, we will provide a replacement for any component part of your unit found to be defective in materials or workmanship, including labour costs. Repair work requires prior approval by Kingsman, labour costs are based on a predetermined rate schedule and any repair work must be done through an authorized Kingsman dealer.

LIMITED LIFETIME WARRANTY

The heat exchanger, combustion chamber and burner of every Kingsman product excluding the Outdoor Firepit are warranted against materials or workmanship during the period the product is owned by the original owner. The part to be replaced must be returned to our distributor in exchange for the replacement part. Any labor, material, freight and/or handling charges associated with any repair or replacement pursuant to this Limited Lifetime Warranty will not be covered by this warranty.

GENERAL TERMS

In lieu of providing a replacement part, we may, at our option, provide the distributor's component purchase price from us or a credit equal to the distributors component purchase price from us toward the purchase of any new unit which we distribute. If a credit is given in lieu of a replacement part, the rating plate from the unit being replaced must be submitted on a warranty claim, and the unit being replaced must be made available to our distributor for disposition.

In establishing the date of installation for any purpose, including determination of the starting date for the term of this Limited Lifetime Warranty, reasonable proof of the original installation date must be presented*, otherwise the effective date will be based upon the date of manufacture plus thirty (30) days.

We will not be responsible for and you, the user, will pay for: (a) damages caused by accident, abuse, negligence, misuse, riot, fire, flood, or Acts of God (b) damages caused by operating the unit where there is a corrosive atmosphere containing chlorine, fluorine, or any other damaging chemicals (other than in a normal residential environment) (c) damages caused by any unauthorized alteration or repair of the unit affecting its stability or performance (d) damages caused by improper matching or application of the unit or the unit's components (e) damages caused by failing to provide proper maintenance and service to the unit (f) any expenses incurred for erecting, disconnecting or dismantling the unit (g) parts or supplies used in connection with service or maintenance (h) damage repairs, inoperation or inefficiency resulting from faulty installation or application (i) electricity or fuel costs or any increase in electricity or fuel cost whatsoever including additional or unusual use of supplemental electric heat.

We shall not be liable for any incidental, consequential, or special damages or expenses in connection with any use or failure of this unit. We have not made and do not make any representation or warranty of fitness for a particular use or purpose, and there is no implied condition of fitness for a particular use or purpose. We make no express warranties except as stated in this Limited Lifetime Warranty. No one is authorized to change this Limited Lifetime Warranty or to create for us any other obligation or liability in connections with this unit. Any implied warranties shall last for one year after the original installation. Some states and provinces do not allow the exclusion or limitation of incidental or consequential damages or do not allow limitations on how long an implied warranty or condition lasts, so the above limitations or exclusions may not apply to you. The provisions of this limited warranty are in additions to and not a modification of or subtraction from any statutory warranties and other rights and remedies provided by law.

Save this certificate. It gives you specific legal rights, and you may also have other rights which may vary from state to state and province to province.

In the event your unit needs servicing, contact your dealer or contractor who installed or serviced your unit. When requesting service, please have the model and serial number from each unit readily available. If your dealer needs assistance, the distributor is available for support and we, in turn support the distributor's efforts.

Fill in the installation date and model and serial numbers of the unit in the space provided below and retain this limited warranty for your files.

Model No. _____ Serial No. _____ Date installed _____

Dealer or Contractor Name: _____

*To receive advantage of your warranty, you must retain the original records that can establish the installation date of your unit.