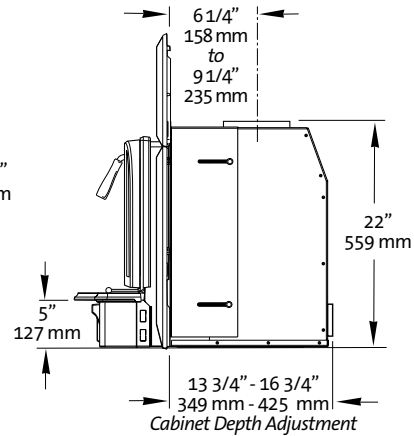
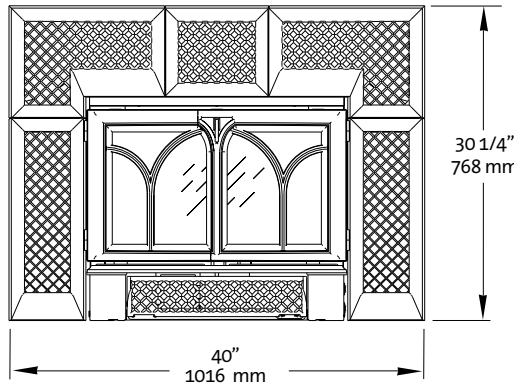
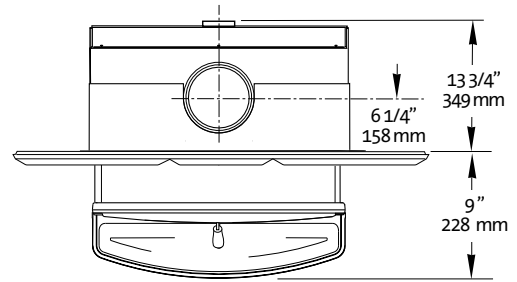
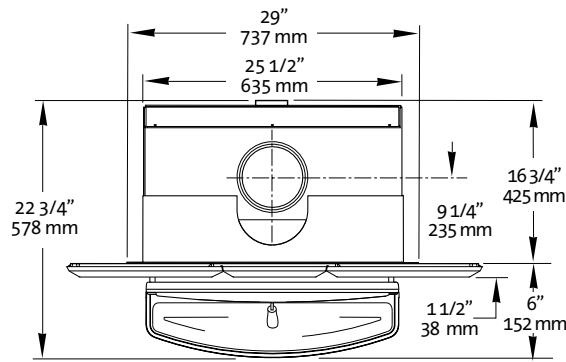


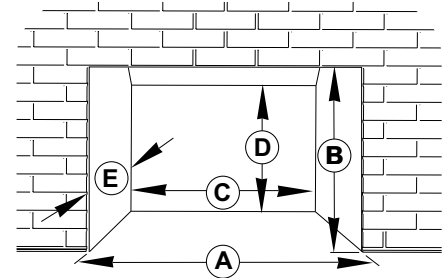
Jøtul C450 Tamarack Fireplace Insert



Specifications

Performance

Fuel:	20" Logs
Heat Output ¹ :	50,000 BTU/hr. (4.1 kg.)
Heating Capacity ² :	1,100-1,600 sq. ft.
Overall Efficiency ³ :	71%
Emissions:	4.4 grams/hr.
Burn Time:	4-9 hours
Optional Blower:	125 cfm.

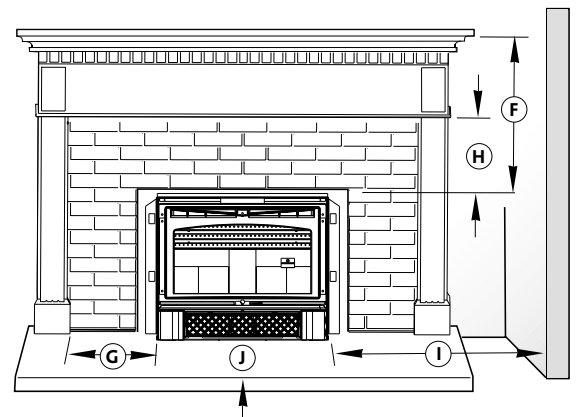


Minimum Fireplace Dimensions

- A: 26 1/4" (667 mm)
- B: 23" (584 mm)
- C: 25 1/2" (648 mm)
- D: 21 1/2" (546 mm)
- E: 14" (355 mm)

Minimum Clearances - measured from Firebox Cabinet

- F: Mantel at 9 1/2" (241 mm) max. depth - 32 3/4" (832 mm)
- G: Side Trim, 1" max. thickness - 8" (203 mm)
- H: Top Trim, 28" (711 mm)
- I: Side Room Wall - 31 1/2" (800 mm)
- J: Hearth Protection, measured from glass - 18" (457 mm)



¹ Maximum Heat Output based on kg of dry wood burned per hour.

² Heating Capacity and Maximum Burn Time will vary depending on design of home, climate, wood type and operation.

³ Overall Efficiency is based on a burn rate of .75 kg wood per hour.

The Jøtul C450 Tamarack Fireplace Insert meets U.S. EPA emission limits for wood heaters sold after July 1990, and are tested and listed to ANSI/UL 1482, 737, and CAN/ULC S627.90. It is intended for installation in accordance with NFPA 211 or CAN/CSA B365.

