

Jøtul F 118 CB
Black Bear



Technical Specifications



Standards

Tested and listed to:

U.S: ANSI/UL 1482 and ANSI/UL 737

Canada: CAN/ULC-S627-M93

Tests performed by:

ITS, Intertek Testing Services,
Middleton, WI

The Jøtul F 118 CB meets the U.S. Environment Protection Agency's Emissions limits for wood heaters manufactured and sold after July 1, 1990.

Emissions: 2.4 grams p/hr.

Heat Output: 10,500 to 22,700 BTU's p/hr.
Actual heat output may vary depending upon fuel type and quality, home design, climate, environment, operation, and chimney function.

Log Length: 24"

Burn Time: 6+ hrs.

Accessories

Dripless Flue Collar Adaptor #950083

For use in top exit installations, this adaptor has a double lip to keep potential combustion by-products within the stove.

Rear Heat Shield #320098

Installation of the rear heat shield will allow clearance reduction to combustible materials. See pages 2 and 3 for details.

Side Heat Shield #320099

Installation enables clearance reductions to combustible materials on that side of the stove.

Spark Screen #350556

Enjoy the warm glow of open door fire-viewing with use of this custom fit spark screen.

Stove-Top Thermometer #5002

We recommend the use of a magnetic stove-top thermometer to monitor the surface temperature and performance of the stove.

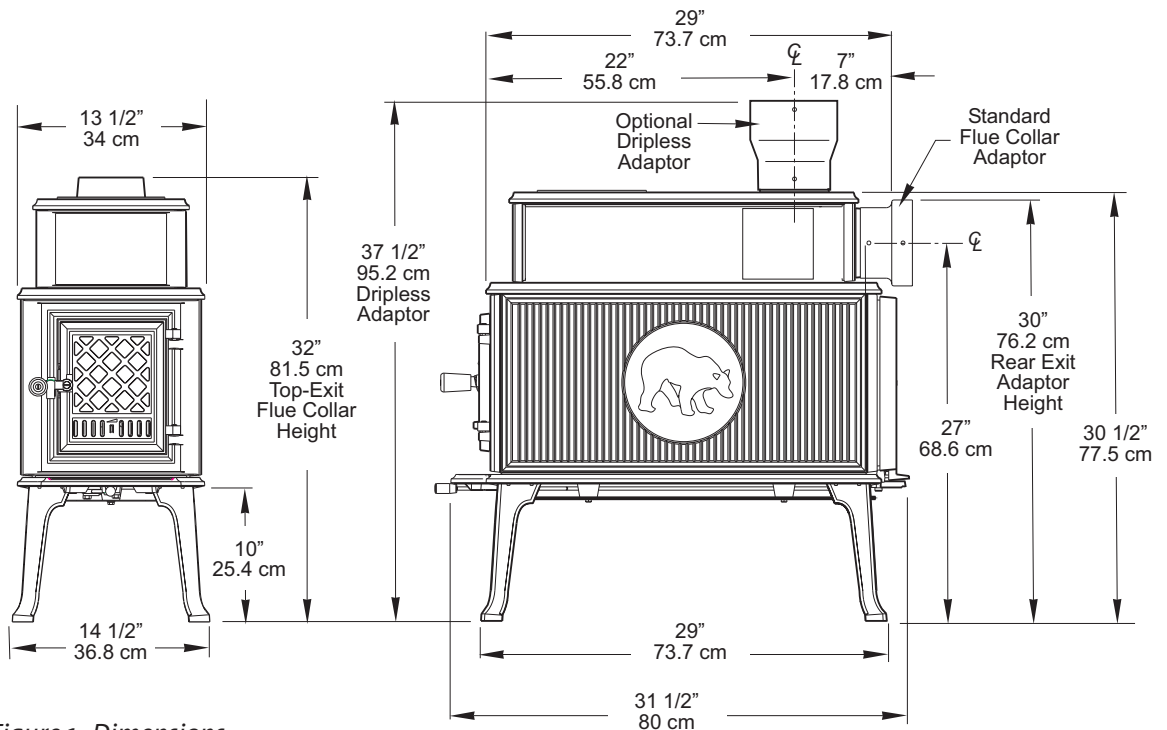


Figure 1. Dimensions

Jøtul F 118 CB Clearance Specifications

Measure clearances from the combustible surface to the closest stove surface.

STOVE CLEARANCES	UNPROTECTED SURFACE INSTALLATION			PROTECTED SURFACE INSTALLATION PER NFPA211 OR CAN/CSA -B365-M93		
	SIDE	REAR	CORNER	SIDE	REAR	CORNER
Stove - No Heat Shield, Single Wall Pipe	A 35" / 89 cm	B 9" / 23 cm	C 26" / 66 cm	D 29.5" / 75 cm	E 8.5" / 21.5 cm	F 22" / 56 cm
Stove - Rear & Side H/S with Single Wall Pipe	G 18" / 45.7 cm	H 4" / 10.2 cm	I 12" / 30.5 cm	J 12.5" / 31.7 cm	K* 4.5" / 11.4 cm	L 9.5" / 24 cm
Stove - Rear & Side H/S with Double Wall Pipe	M 18" / 45.7 cm	N 3" / 7.6 cm	O 12" / 30.5 cm	P 12.5" / 31.7 cm	Q 3" / 7.6 cm	R 8.5" / 21.6 cm
Use of Side Heat Shield is not required to obtain rear clearance using Rear Heat Shield only. Use of Rear Heat Shield is not required to obtain side clearance using Side Heat Shield only. Both stove heat shields required for reduced corner clearance.						
Vertical Chimney Connector Clearance	UNPROTECTED SURFACE		PROTECTED SURFACE per NFPA211 or CAN/CSA-B365-M93			
Single Wall Pipe	13" / 33 cm		12.5" / 31.7 cm			
Double Wall Pipe	7" / 18 cm		7" / 18 cm			
Horizontal Connector Clearance	UNPROTECTED SURFACE		PROTECTED SURFACE per NFPA211 OR CAN/CSA-B365-M93			
Single Wall Connector	18" / 45.7 cm		12.5" / 32 cm			
Double Wall Pipe	Mfg's Specification		Mfg's Specification			

K* : As tested, no clearance reduction is obtained with wall shielding

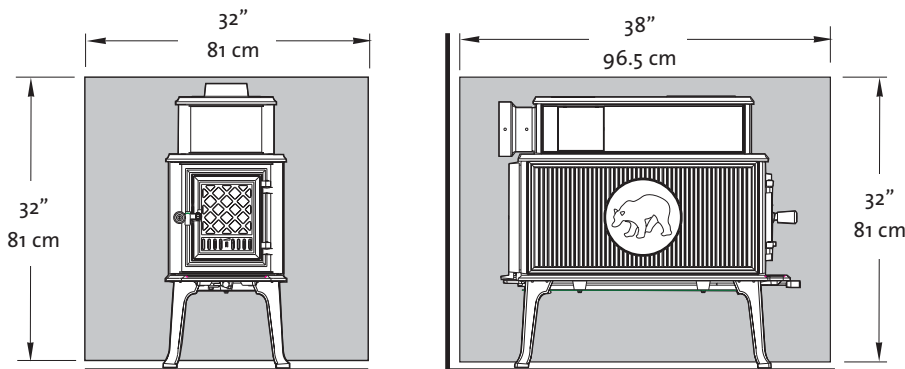
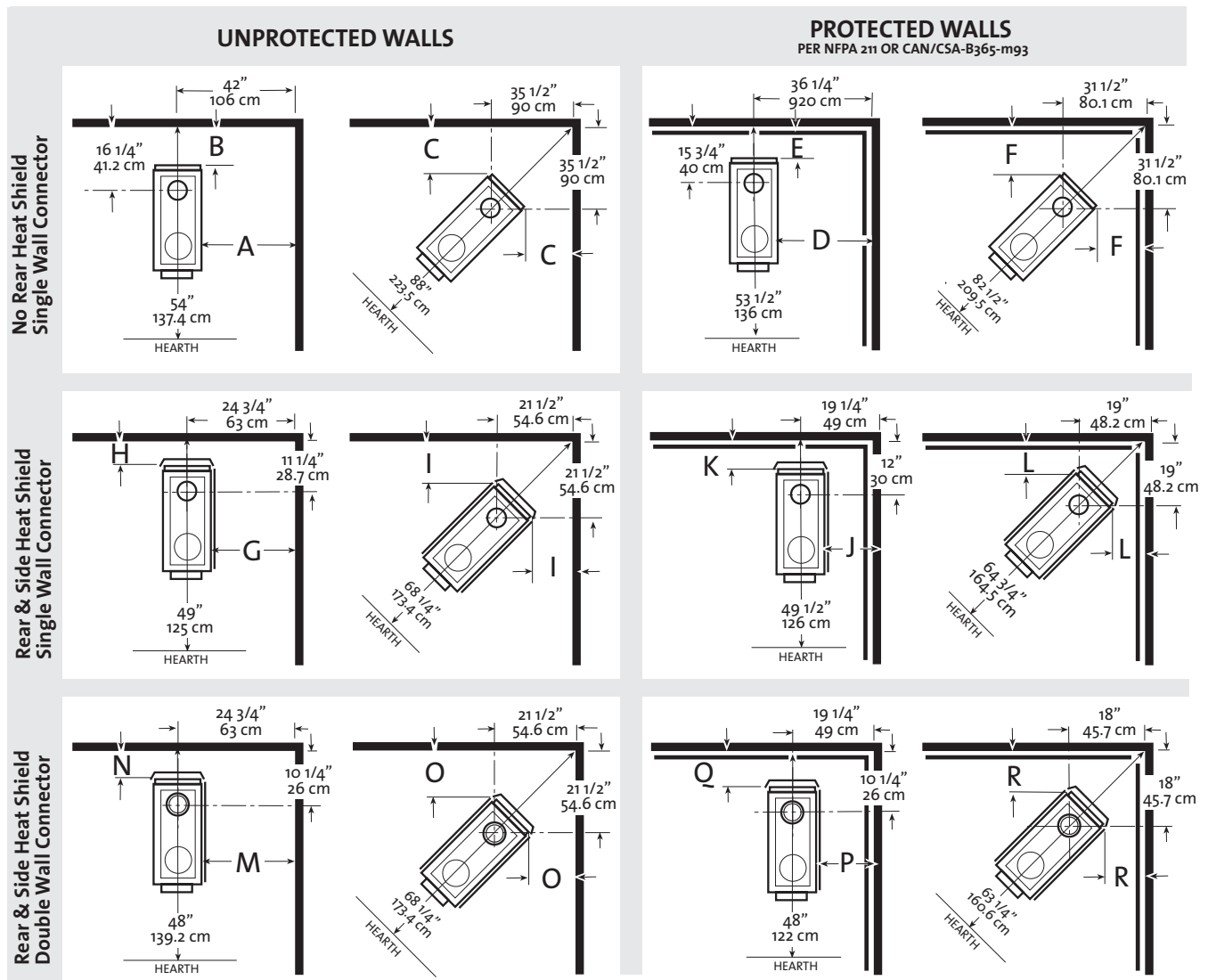


Figure 2. Minimum Wall Shield sizes, centered on stove. Corner wall protection extends 38" from corner.



CANADA ONLY: Add 5 cm to all Hearth Extension dimensions shown above.

Clearances to Fireplace Mantels and Surrounding Trim

See the Clearance Chart on page 2 for approved clearances to combustibles that may be part of fireplace construction.

Mantel Shield Sizing:

Use Rear Wall Shield Sizing formula, fig.2, or per NFPA 211 guidelines.

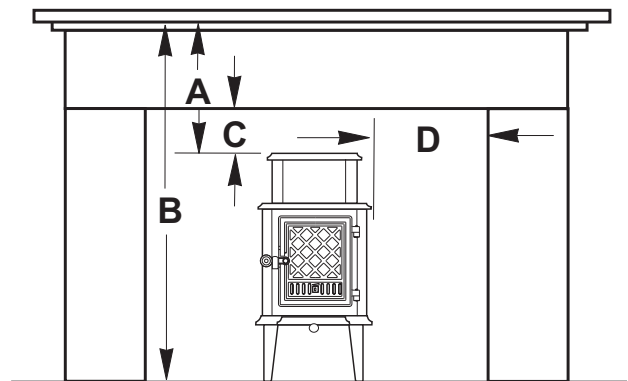


Figure 3. Hearthmount Clearances.

	Unshielded	Shielded
A: Stove to Mantel (12 in. Deep)	13 in. / 33 cm	10 in. / 25.5 cm
B: Floor to Mantel	43 1/2 in. / 110.5 cm	40 1/2 in. / 102.8 cm
C: Stove to 1 in. Deep Top Trim	9 in. / 22.7 cm	5 in. / 12.7 cm
D: Stove to 1 in. Deep Side Trim	15 in. / 38 cm	9 in. / 23 cm

Floor Protection

The Jøtul F 118 CB includes a bottom heat shield. The stove must be installed with the bottom heat shield unless the stove is on a concrete floor poured on earth.

The Jøtul F 118 CB requires one of the following forms of hearth protection if not installed directly on concrete poured on earth:

- 1) Any UL, ULC, or Warnock Hersey Listed hearth board.
- 2) Any noncombustible material.

All forms of protection must include a noncombustible surface extending forward from the glass panel at least 16" for the U.S., or 18" (46cm) for Canada. Protection must extend 8" (21 cm) from the sides and rear for both the U.S. and Canada.

This will result in a minimum floor protection of 30 1/2" W x 53" D for the U.S. or 30 1/2" W x 55" D for Canada. See fig. 10.

In a rear vent installation, the floor protection must also extend under the stove pipe a minimum of 2" (50 mm) beyond either side of the pipe. See fig. 4.

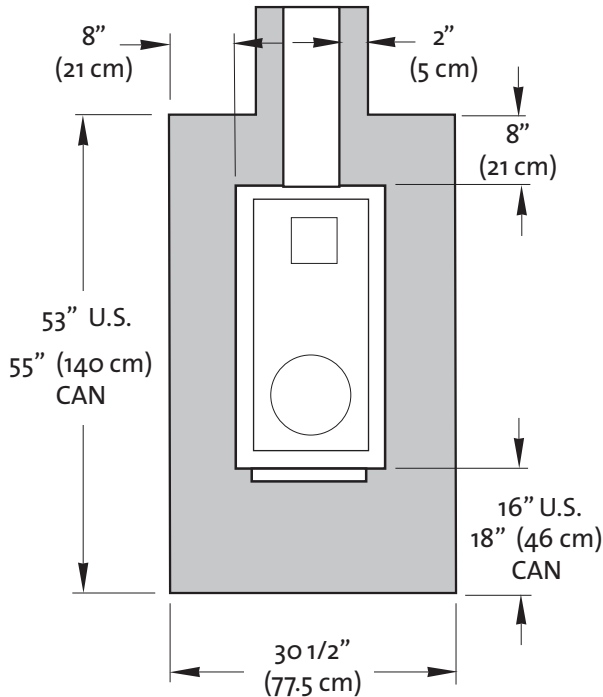


Figure 4.
Floor Protection minimum dimensions, U.S. / CAN.

Alcove Installation

The Jøtul F 118 CB can be installed in an Alcove as diagrammed in figures 5.

1. The stove was tested installed with a Rear Heat Shield and single-wall chimney connector.
2. No clearance reduction is obtained in an Alcove installation with wall shielding installed.
3. Alcove floor protection must consist of a UL/ULC or WHI listed hearth pad or a non combustible material.
4. Minimum ceiling height in an **unprotected** installation, from the floor is 84" (214.3 cm). The stove was not tested with ceiling protection installed.

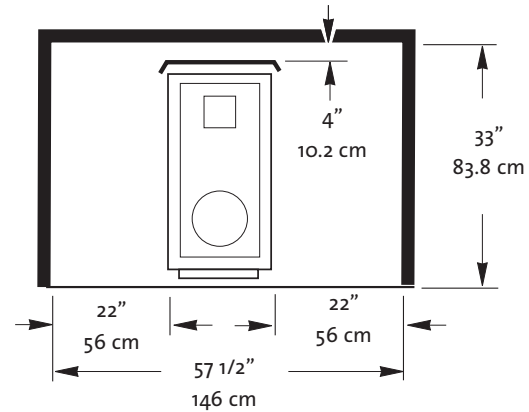


Figure 5. Alcove without Wall Protection.