

# ULTRABlack Technical Information

## Applications

ULTRABlack is designed to be used as a connector between a freestanding oil, wood or coal burning stove and a masonry or metal chimney. There are four primary advantages to ULTRABlack over single wall connector pipes:

- It offers reduced clearance to combustible materials.
- It is designed to last the lifetime of the stove and/or chimney system.
- It offers reduced creosote formation.
- It is certified for use with mobile home stoves.

## Allowable Flue Gas Temperatures

Max Continuous	650°C (1200°F)
Brief Forced Firing	925°C (1700°F)
Tested To	1150°C (2100°F)

## Clearance to Combustible Materials

ULTRABlack is certified for 6" clearance with the following exception. When ULTRABlack is used as the connector on a mobile home certified stove the clearance is determined by the installation instructions for the specific stove model being installed.

## Construction

**Flue :** Type 304 stainless steel, .016" thickness.

**Casing :** Satin coat steel steel, .016 thickness. Satin coat is specifically designed to be painted.

**Seam :** Interior and exterior seams are seam welded.

**Wall thickness :** Approximately 3/8"

**Paint:** Forrest "Stove Brite" *satin black*

## Certification

ULTRABlack has been tested and listed by Intertek Testing Services NA Ltd. Listing #192-5096

# ULTRABlack Engineering and Design Considerations

## Maximum allowable overall height:

There is no maximum requirement however, as a general guideline we recommend that the length of ULTRABlack not exceed 20 feet.

ULTRABlack assembles like a regular single wall stovepipe - no complicated, unsightly twist lock connectors or spot welds. There is no cutting required and all the screw holes are predrilled. Just put one piece on top of the other and screw together using the black oxide screws provided. Easily fits most stoves, including cast iron stoves and stoves with oval collars. ULTRABlack is approved for mobile home installation on most major stove brands, when installed with Excel insulated chimney. For mobile home installations follow the stove manufacturer's installation instructions.

## Excel ULTRABlack

Fully Shielded Stovepipe with smooth, clean lines

- Requires just 6" clearance to combustibles in all diameters - even when installed in a corner, or parallel with a ceiling\*
- Has a smooth, clean appearance to compliment any stove installation
- Maximizes flue gas temperature, insuring good draft.
- Minimizes creosote buildup.

\* Some stoves may require greater clearances.

**ULTRABlack has been tested and listed by Intertek Testing Services NA Ltd.**

WARNOCK HERSEY



Listing # 192-5096


# ULTRABlack Product Descriptions

Lengths (UB5F, UB1F, UB18F, UB2F and UB3F) Are available in 5", 12", 18", 24" and 36".

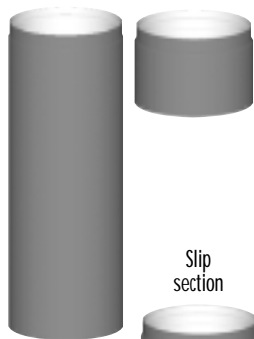
**Adjustable Length (UBAF)** Combines a 36" length and a 36" slip section in one box. The UBAF fits all brands of insulated chimney and most brands of wood burning stoves without a stove or chimney adapter. A UBTC trim collar is included with the UBAF.

**Slip Sections (UB6S, UB12S, and UB18S)** These sections slide over a regular straight length allowing you to adjust the overall length of a straight run without cutting. The minimum adjustment can be reached only if the length used below the slip section is long enough to accept it.


adjustable Length

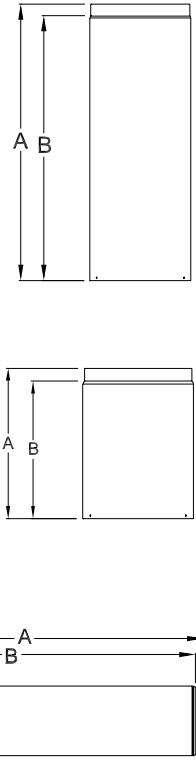


Lengths



Slip section



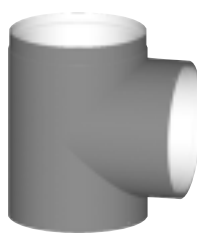


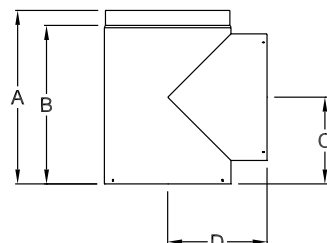
Length Dimensions (6-7-8")			INCHES
Code	A	B	
6-7-8 UB5F	5	4	
6-7-8 UB1F	12	11	
6-7-8 UB18F	18	17	
6-7-8 UB2F	24	23	
6-7-8 UB3F	36	35	

Slip Section Dimensions					INCHES
Code	A MIN.	A MAX.	B MIN.	B MAX.	
UB6S	2	6	1	5	
UB12S	2	12	1	11	
UB18S	2	18	1	17	

Adjustable Length Dimensions					INCHES
Code	A MIN.	A MAX.	B MIN.	B MAX.	
6UBAF	40	68	39	67	
7UBAF	40	68	39	67	
8UBAF	40	68	39	67	


**Tees (UBT)** Combines a 90° transition with a clean out. A UBTC trim collar is included with the UBT.

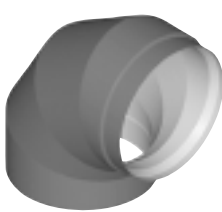


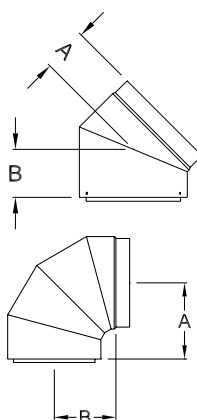


Tee Dimensions					INCHES
Code	A	B	C	D	
6UBT	12	11	6	5 7/8	
7UBT	12	11	6	6 3/8	
8UBT	12	11	6	6 7/8	

**Elbows (UB30, UB45 and UB90)** Are available in 30°, 45° and 90°.



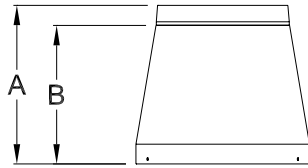




Elbow dimensions (30°, 45°, 90°)			INCHES
Code	A	B	
6UB30	2 5/16	2 9/16	
7UB30	2 7/16	2 11/16	
8UB30	3 9/16	2 13/16	
6UB45	2 3/4	3	
7UB45	2 15/16	3 3/16	
8UB45	3 1/8	3 3/8	
6UB90	5 9/16	4 1/2	
7UB90	6 1/16	5	
8UB90	6 9/16	5 1/2	

# ULTRABlack Product Descriptions

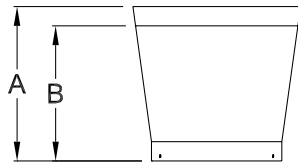
**Reducers (UBR)** Designed to reduce the diameter of a system to accommodate a range of flue sizes, appliances and installations. *Note: Decreasing chimney diameter even 1" can have a serious negative impact of chimney performance. Be careful to use these components only when appropriate.*



INCHES

Reducer Dimensions		
Code	A	B
UBR 7-6	8	7
UBR 8-6	8	7
UBR 8-7	8	7

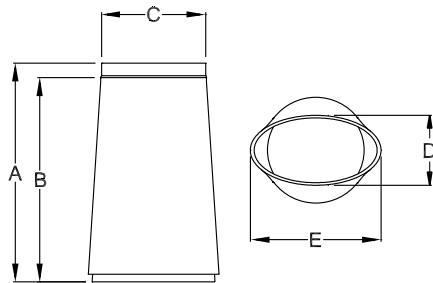
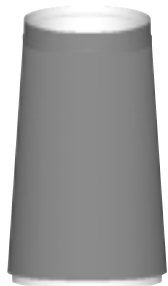
**Increasesers (UBI)** Designed to increase the diameter of a system to accommodate a range of flue sizes, appliances and installations. *Note: Increasing chimney diameter can reduce draft and increase creosote formation. Be careful to use these components only when appropriate.*



INCHES

Increaser Dimensions		
Code	A	B
UBI 5-6	8	7
UBI 6-7	8	7
UBI 6-8	8	7
UBI 7-8	8	7

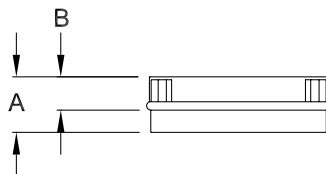
**Oval to Round (UBORF)** Adapters are designed to connect ULTRABlack to stoves with oval flue collars - such as a Vermont Castings Defiant Encore. Available in 8" only.



INCHES

Oval to Round Dimensions (8" only)					
Code	A	B	C	D	E
8UBORF	18	17	8	5 3/4	10 3/4

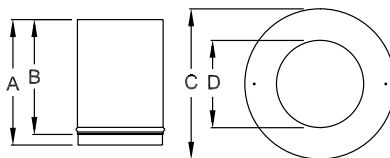
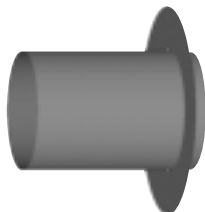
**Stove Extensions (UBSE)** Connect ULTRABlack to stoves with flue collars that do not project above the top of the stove. It can also be used to connect to stoves with irregular shaped or sized flue collars.



INCHES

Stove Extension Dimensions		
Code	A	B
6UBSE	2 1/2	1 1/2
7UBSE	2 1/2	1 1/2
8UBSE	2 1/2	1 1/2

**Masonry Adapters (UBM)** Connect ULTRABlack to a masonry chimney. *Note: ULTRABlack is not certified to pass through a combustible wall. An EXCELiner Insulated Thimble (ITH, page 23) must be used where there is a combustible wall between the stove and the masonry chimney.*

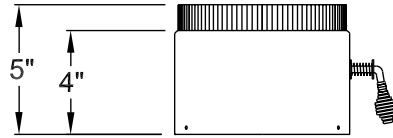


INCHES

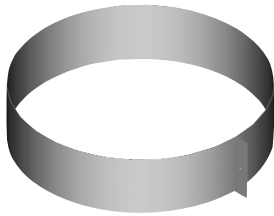
Masonry Adapter Dimensions				
Code	A	B	C	D
6UBM	11 11/16	10 11/16	12	6 1/8
7UBM	11 11/16	10 11/16	13	7 1/8
8UBM	11 11/16	10 11/16	14	8 1/8

# ULTRABlack Product Descriptions

**Damper Section (UBD)** Are butterfly type in line dampers. They are recommended by some stove manufacturers to help control draft.



**Trim Collars (UBTC)** Covers the crimped (top) end of ULTRABlack where it connects to the insulated chimney. A UBTC is included with every UBAF and UBT so they rarely need to be purchased separately.



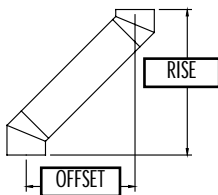
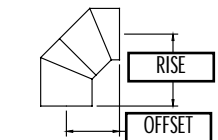
Trim Collar Dimensions	
Code	
6UBTC	22 x 2
7UBTC	25 3/8 x 2
8UBTC	28 1/2 x 2

INCHES

## ULTRABlack Offset Table

45° ELBOWS		
UB OFFSET TABLE- Use this table if you are not installing an adjustable length between the elbows.		
LENGTH BETWEEN ELBOWS	45° ELBOWS	
	RISE	OFFSET
6" Ø		
NO LENGTH	7 3/8	2 5/8
5" Length	10 15/16	6 3/16
6sf" Length	11 5/8	6 7/8
12" Length	15 7/8	11 1/8
18" Length	20 1/8	15 3/8
24" Length	24 3/8	19 5/8
36" Length	32 7/8	28 1/8
UBAF min	35 11/16	30 15/16
UBAF max	55 1/2	50 3/4
7" Ø		
NO LENGTH	8 1/16	2 15/16
5" Length	11 9/16	6 7/16
6sf" Length	12 5/16	7 3/16
12" Length	16 1/2	11 3/8
18" Length	20 3/4	15 5/8
24" Length	25	19 7/8
36" Length	33 1/2	28 3/8
UBAF min	36 5/16	31 3/16
UBAF max	56 1/8	51
8" Ø		
NO LENGTH	8 11/16	3 3/16
5" Length	12 3/16	6 11/16
6sf" Length	12 15/16	7 7/16
12" Length	17 3/16	11 11/16
18" Length	21 7/16	15 15/16
24" Length	25 5/8	20 1/8
36" Length	34 1/8	28 5/8
UBAF min	36 15/16	31 7/16
UBAF max	56 3/4	51

90° ELBOWS	OFFSET	RISE
6" Ø	4 1/2	4 5/8
7" Ø	5 1/16	5 3/16
8" Ø	5 1/2	5 5/8



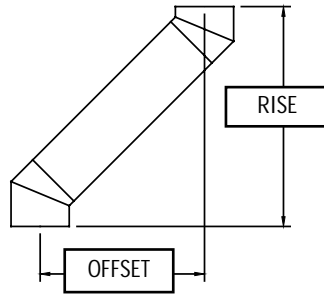
All measurements are in inches

45° ELBOWS		
UB OFFSET TABLE- Use this table when an adjustable length (UBS) is installed between the elbows.		
LENGTH BETWEEN ELBOWS	45° ELBOWS	
	RISE	OFFSET
6" Ø		
NO LENGTH + UB6FS	10 15/16 - 10 15/16	6 3/16 - 6 3/16
5" Length + UB6FS	10 15/16 - 14 1/2	6 3/16 - 9 3/4
5" Length + UB12FS	15 3/16 - 18 11/16	10 7/16 - 13 15/16
12" Length + UB12FS	15 7/8 - 23 11/16	11 1/8 - 18 15/16
18" Length + UB12FS	20 1/8 - 27 15/16	15 3/8 - 23 3/16
24" Length + UB18FS	24 3/8 - 36 3/8	19 5/8 - 31 5/8
UBAF min + UB12FS	35 11/16 - 47 11/16	30 15/16 - 42 15/16
UBAF min + UB18FS	49 13/16 - 61 7/8	45 1/16 - 57 1/8
UBAF max + UB18FS	55 1/2 - 67 1/2	50 3/4 - 62 3/4
36 + 36 + 12 + UB18FS	66 13/16 - 78 13/16	62 1/16 - 74 1/16
36 + 36 + 24 + UB18FS	75 5/16 - 87 5/16	70 9/16 - 82 9/16
36 + 36 + 36 + UB18FS	83 3/4 - 95 13/16	79 - 91 1/16
7" Ø		
NO LENGTH + UB6FS	11 9/16 - 11 9/16	6 7/16 - 6 7/16
5" Length + UB6FS	11 9/16 - 15 1/8	6 7/16 - 10
5" Length + UB12FS	15 13/16 - 19 3/8	10 11/16 - 14
12" Length + UB12FS	16 1/2 - 24 5/16	11 3/8 - 19 3/16
18" Length + UB12FS	20 3/4 - 28 9/16	15 5/8 - 23 7/16
24" Length + UB18FS	25 - 37 1/16	19 7/8 - 31 15/16
UBAF min + UB12FS	36 5/16 - 48 3/8	31 3/16 - 43
UBAF min + UB18FS	50 7/16 - 62 1/2	45 5/16 - 57 3/8
UBAF max + UB18FS	56 1/8 - 68 1/8	51 - 63
36 + 36 + 12 + UB18FS	67 7/16 - 79 7/16	62 5/16 - 74 5/16
36 + 36 + 24 + UB18FS	78 15/16 - 87 15/16	70 13/16 - 82 13/16
36 + 36 + 36 + UB18FS	84 7/16 - 96 7/16	79 5/16 - 91 5/16
8" Ø		
NO LENGTH + UB6FS	12 3/16 - 12 3/16	6 11/16 - 6 11/16
5" Length + UB6FS	12 3/16 - 15 3/4	6 11/16 - 10
5" Length + UB12FS	16 7/16 - 20	10 15/16 - 14 1/2
12" Length + UB12FS	17 3/16 - 24 15/16	11 11/16 - 19 7/16
18" Length + UB12FS	21 7/16 - 29 3/16	15 15/16 - 23 11/16
24" Length + UB18FS	25 5/8 - 37 11/16	20 1/8 - 32 3/16
UBAF min + UB12FS	36 15/16 - 49	31 7/16 - 43 1/2
UBAF min + UB18FS	51 1/8 - 63 1/8	45 5/8 - 57 5/8
UBAF max + UB18FS	56 3/4 - 68 13/16	51 - 63 5/16
36 + 36 + 12 + UB18FS	68 1/16 - 80 1/8	62 9/16 - 74 5/8
36 + 36 + 24 + UB18FS	76 9/16 - 88 9/16	71 1/16 - 83 1/16
36 + 36 + 36 + UB18FS	85 1/16 - 97 1/16	79 9/16 - 91 9/16

# ULTRABlack Offset Table

30° ELBOWS - UB OFFSET TABLE Use this table if you are not installing an adjustable length between the elbows.		
LENGTH BETWEEN OFFSETS	30° ELBOWS	
	RISE	OFFSET
<b>6" Ø</b>		
NO LENGTH	6 3/8	1 7/16
5" Length	10 11/16	3 15/16
6sf" Length	11 9/16	4 7/16
12" Length	16 3/4	7 7/16
18" Length	21 15/16	10 7/16
24" Length	27	13 7/16
36" Length	37 9/16	19 7/16
UBAF min	41	21 7/16
UBAF MAX	65	35 7/16
<b>7" Ø</b>		
NO LENGTH	6 13/16	1 9/16
5" Length	11 3/16	4 1/16
6sf" Length	12	4 9/16
12" Length	17	7 9/16
18" Length	22 7/16	10 9/16
24" Length	27 5/8	13 9/16
36" Length	38	19 9/16
UBAF min	41 1/2	21 9/16
UBAF MAX	65 3/4	35 9/16
<b>8" Ø</b>		
NO LENGTH	7 5/16	1 11/16
5" Length	11 5/8	4 3/16
6sf" Length	12 1/2	4 11/16
12" Length	17 11/16	7 11/16
18" Length	22 7/8	10 11/16
24" Length	28 1/16	13 11/16
36" Length	38 1/2	19 11/16
UBAF min	41 15/16	21 11/16
UBAF MAX	66 3/16	35 11/16

All measurements are in inches



30° ELBOWS - UB OFFSET TABLE Use this table when an adjustable length (UBS) is installed between the elbows.		
LENGTH BETWEEN OFFSETS	30° ELBOWS	
	RISE	OFFSET
<b>6" Ø</b>		
NO LENGTH + UB6FS	12 5/16 - 12 5/16	4 3/8 - 4 3/8
5" LENGTH + UB6FS	12 5/16 - 16 11/16	4 3/8 - 6 7/8
5" LENGTH + UB12FS	17 1/2 - 21 7/8	7 3/8 - 9 7/8
12" LENGTH + UB12FS	18 3/8 - 27 15/16	7 7/8 - 13 3/8
18" LENGTH + UB12FS	23 9/16 - 33 1/8	10 7/8 - 16 3/8
24" LENGTH + UB18FS	28 13/16 - 43 1/2	13 7/8 - 22 3/8
UBAF min + UB12FS	42 5/8 - 57 3/8	21 7/8 - 30 3/8
UBAF min + UB18FS	59 15/16 - 74 11/16	31 7/8 - 40 3/8
UBAF max + UB18FS	66 7/8 - 81 5/8	35 7/8 - 44 3/8
36+36+12 + UB18FS	80 3/4 - 95 7/16	43 7/8 - 52 3/8
36+36+24 + UB18FS	80 3/4 - 95 7/16	49 7/8 - 58 3/8
36+36+36 + UB18FS	101 1/2 - 116	55 7/8 - 64 3/8
<b>7" Ø</b>		
NO LENGTH + UB6FS	13 - 13	4 9/16 - 4 9/16
5" LENGTH + UB6FS	13 - 17 3/8	4 9/16 - 7 1/16
5" LENGTH + UB12FS	18 - 22 9/16	7 9/16 - 10 1/16
12" LENGTH + UB12FS	19 1/16 - 28 5/8	8 1/16 - 13 9/16
18" LENGTH + UB12FS	24 5/16 - 33 13/16	11 1/16 - 16 9/16
24" LENGTH + UB18FS	29 1/2 - 44 3/16	14 1/16 - 22 9/16
UBAF min + UB12FS	43 5/16 - 58 1/16	22 1/16 - 30 9/16
UBAF min + UB18FS	60 11/16 - 75 3/8	32 1/16 - 40 9/16
UBAF max + UB18FS	67 9/16 - 82 5/16	36 1/16 - 44 9/16
36+36+12 + UB18FS	81 7/16 - 96 3/16	44 1/16 - 52 9/16
36+36+24 + UB18FS	91 13/16 - 106 9/16	50 1/16 - 58 9/16
36+36+36 + UB18FS	102 - 116 15/16	56 1/16 - 64 9/16
<b>8" Ø</b>		
NO LENGTH + UB6FS	13 3/4 - 13 3/4	4 3/4 - 4 3/4
5" LENGTH + UB6FS	13 3/4 - 18 1/16	4 3/4 - 7
5" LENGTH + UB12FS	18 15/16 - 23	7 3/4 - 10
12" LENGTH + UB12FS	19 13/16 - 29 5/16	8 - 13 3/4
18" LENGTH + UB12FS	25 - 34 1/2	11 - 16 3/4
24" LENGTH + UB18FS	30 3/16 - 44 7/8	14 - 22 3/4
UBAF min + UB12FS	44 1/16 - 58 3/4	22 - 30 3/4
UBAF min + UB18FS	61 3/8 - 76 1/16	32 - 40 3/4
UBAF max + UB18FS	68 5/16 - 83	36 - 44 3/4
36+36+12 + UB18FS	82 - 96 7/8	44 - 52 3/4
36+36+24 + UB18FS	92 9/16 - 107	50 - 58 3/4
36+36+36 + UB18FS	102 15/16 - 117 5/8	56 - 64 3/4

All measurements are in inches

# ULTRABlack Warranty

---

## LIFETIME WARRANTY ULTRABlack Chimney Connector

ICC warrants its ULTRABlack chimney connector lengths to be free from functional failure due to defects in material or workmanship for as long as the original consumer owns the connector system. This warranty provides for replacement of any connector lengths which fail as a result of normal use on a residential freestanding fireplace, wood burning stove, furnace or boiler. This warranty does not cover damage caused to the building by chimney fires or misuse of the product.

ICC will only be responsible for repair or replacement of any connector lengths found to be defective under this warranty. In no event shall ICC be responsible for any incidental or consequential damage caused by defects in the ULTRABlack chimney system.

To obtain service under this warranty, the defective connector should be returned to the dealer from whom it was purchased. If you are unable to return the connector to the original dealer contact ICC for the name of the closest dealer who can assist you. ICC will not be responsible for shipping charges related to warranty replacements. ICC will repair or replace any lengths which, upon examination by an authorized agent of ICC, prove to be defective.

ICC will not be responsible for labor of any kind required in the removal or replacement of an ULTRABlack system replaced under this warranty.

This connector is designed to vent residential heating oil, untreated wood, low sulphur coal, and natural or LP gas. It is designed to operate at a continuous temperature of 1200°F or less. This warranty is void if the connector is used in an application for which it is not designed.

The ULTRABlack system must be installed according to the Installation Instructions included with every system at the time of purchase. If you do not have a set of installation instructions, they are available free upon request. This warranty is void if the connector is not installed according to the installation instructions.

This warranty may not be extended or modified by our agents or representatives. This warranty is in lieu of all other express warranties or guarantees, of any kind.