

EXCELPellet

FACTORY BUILT PELLET CHIMNEY INSTALLATION AND MAINTENANCE INSTRUCTIONS

A MAJOR CAUSE OF VENT RELATED FIRES IS FAILURE TO MAINTAIN REQUIRED CLEARANCES (AIR SPACE) TO COMBUSTIBLE MATERIALS. IT IS OF UTMOST IMPORTANCE THAT THIS VENT BE INSTALLED ONLY IN ACCORDANCE WITH THESE INSTRUCTIONS.

This vent is intended for use with the following:

- Automatic particulate fuel-burning appliances that exhaust low temperature flue gases (572°F / 300°C max.).
- Gas and liquid fuel-burning appliances that exhaust low temperature flue gases (572°F / 300°C max.) and that are approved for use with type L venting systems.
- Gas fuel-burning appliances that exhaust low temperature flue gases (473°F / 245°C max.) and that are approved for use with type B venting systems.

THE VENT SHOULD BE SIZED ACCORDING TO THE APPLIANCE MANUFACTURER'S INSTRUCTIONS.

Use only ICC model EXCELPellet components. Failure to do so will void the certification and warranty of the product.

Keep these installation and operating instructions in a safe location for future reference.

Contact local building or fire officials about restrictions and installation inspection in your area.

EXCELPellet has been tested and listed to the UL 641, CAN/ULC-S609 and ULC/ORD-C441-1992 standards by INTERTEK. Listing # 3070812.



INDUSTRIAL CHIMNEY COMPANY INC
400 J.F. Kennedy, St-Jerome
Quebec, Canada, J7Y 4B7
Tel.: (450) 565-6336 Fax: (450) 565-6519
www.icc-rsf.com

Table of Contents

TECHNICAL SPECIFICATIONS.....3
 Operation and maintenance.....3
 Installation notes.....4

PLANNING YOUR INSTALLATION
 General.....5
 Tool checklist.....6
 Rules of safety.....6

INSTALLATION INSTRUCTIONS
 Through the wall and horizontal installation.....6
 Interior vertical installation.....8
 Installation of a masonry chimney
 • Canada and USA.....10
 • USA only.....11
 EXCELPellet connected to a class A chimney.....13

EXCELPellet Parts List.....14

Warranty.....15

EXCELPellet TECHNICAL SPECIFICATIONS		
Materials:		
Exterior (casing):	.019" Galvalume Steel	
Interior Flue:	.016" Type 304 Stainless Steel	
Insulation:	3/8" Air Space	
Gasket:	Silicone Rubber	
Inside Diameter	3 Inch	4 Inch
Outside Diameter	3 3/4"	4 3/4"
Weight/Foot (lb/ft.)	1.3	1.6
Rough Opening Required		
Supports (PM-PSA, PM-PSF)	7 3/4" x 7 3/4"	8 3/4" x 8 3/4"
Support (PM-PSS)	8 3/4" x 8 3/4"	8 3/4" x 8 3/4"
Adjustable Wall Thimble (PM-PWT)	6 1/2" x 6 1/2" or 6 1/2" round	7 1/2" x 7 1/2" or 7 1/2" round
Masonry Chimney Adapter (PM-PAM)	4" dia.	5" dia.
Maximum Support capacity		
Ceiling Supports (PM-PSA, PM-PSF)	30 feet	25 feet
Ceiling Support (PM-PSS)	37 feet	30 feet
Adjustable Wall Support (PM-PSW)	21 feet	17 feet
Clearances		
Clearance to combustibles	2"	2"

OPERATION AND MAINTENANCE

KEEP YOUR VENT CLEAN. When using a pellet appliance, we recommend that you:

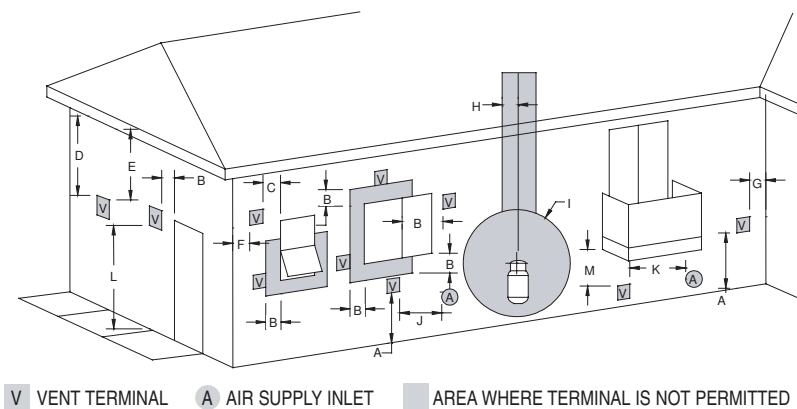
1. Initially inspect the vent system weekly. From this you will learn if your pellet appliance needs fine tuning.
2. THE VENT SHOULD BE INSPECTED AT LEAST ONCE EVERY TWO MONTHS DURING THE HEATING SEASON to determine if ash or soot has built up. When a maximum of 1/4" thickness of build-up has accumulated, it should be removed to reduce the risk of a chimney fire.
3. Have your vent cleaned by a qualified chimney sweep. If you want to clean your vent yourself, use a properly fitting brush. Do not use a brush that will scratch the stainless steel interior of the vent. Use of an oversize brush may damage the vent.

INSTALLATION NOTES

1. The EXCELPellet interior flue is made of type 304 Stainless Steel for convenience with agricultural products burning fuel which can be much more corrosive than standard wood pellets.
2. Choose an appliance that has a label of a recognized Testing Laboratory (such as WH, UL, ULC, CSA and OMNI).
3. Install the pellet appliance as described in the Installation Instructions accompanying the pellet appliance. **BE CERTAIN TO MAINTAIN THE REQUIRED CLEARANCES TO COMBUSTIBLE CONSTRUCTION.**
4. The maximum height of un-guyed vent above the roof is 5 feet. If you have more than 5 feet use the EXCEL Chimney Roof Brace (XM-ERB).
5. Portions of the vent which extend through accessible spaces shall be enclosed in all cases to avoid personal contact with the vent and damage to the vent.
6. **DO NOT FILL THE AIR SPACE** around the vent with insulation or any other material. Do not fill the factory built supports with insulation. Insulation placed in this area could cause adjacent combustibles to overheat.
7. Do not allow sawdust or construction debris to accumulate around the vent. Clean all areas surrounding the vent before closing up any enclosed areas.
8. In attics, it is important to extend the Attic Shield (PM-PSA with PM-PSC) to the maximum height possible. This will prevent any contact of the insulation with the vent when loose fill insulation as cellulose type insulation is used. Also, it will prevent any contact to the vent if any type of insulation is added in the future.
9. The vent cap of a vertical through the roof installation shall extend at least 12 inches above the roof line.
10. The following does not apply to installations in single and two-family dwellings:

Factory built vents which extend through any story above that on which the connected appliance is located are to be provided with enclosures having a fire resistance rating equal to or greater than that of the floor or roof assemblies through which they pass.

11. Rules for termination cap:



- A. The clearance above grade must be a minimum of 18".

- B. The clearance to a window or door that may be opened must be a minimum of 48" to the side, 48" below the window/door, and 12" above the window/door. See note 1.
- C. A 12" clearance to a permanently closed window is recommended to prevent condensation on the window.
- D. The vertical clearance to a ventilated soffit located above the termination within a horizontal distance of 2 feet from the center-line of the termination must be a minimum of 18".
- E. The clearance to an unventilated soffit must be a minimum of 12".
- F. The clearance to an outside corner is 12" from center of pipe.
- G. The clearance to an inside corner is 12".
- H. A vent must not be installed within 3 feet above a gas meter/regulator assembly when measured from the horizontal center-line of the regulator. See note 1.
- I. The clearance to service regulator vent outlet must be a minimum of 6 feet. See note 1.
- J. The clearance to a non-mechanical air supply inlet to the building or the combustion air inlet to any other appliance must be a minimum of 48". See note 1.
- K. The clearance to a mechanical air supply inlet must be a minimum of 10 feet. See note 1.
- L. The clearance above a paved sidewalk or a paved driveway located on public property must be a minimum of 7 feet. A vent shall not terminate directly above a sidewalk or paved driveway which is located between two single family dwellings and serves both dwellings. See note 1.
- M. The clearance under a veranda, porch, deck or balcony must be a minimum of 12". Only permitted if veranda, porch, deck, or balcony is fully open on a minimum of 2 sides beneath the floor. See note 1.

Note 1: Certain local codes or regulations may require different clearances.

- 12. Put a small amount of liquid dish soap on each gasket to make it easier to assemble the vent sections. Do not use a petroleum-based lubricant.

PLANNING YOUR INSTALLATION

GENERAL

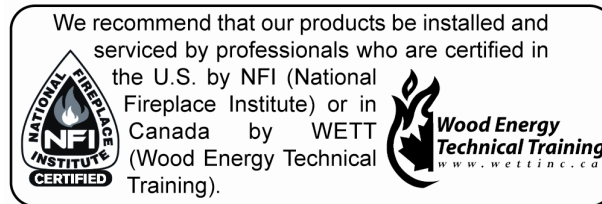
Prior to starting your installation, we suggest you take the following into consideration:

1. Contact your local building authority and/or fire officials for permits, restrictions and installation inspections. You may also wish to contact your house insurance representative.
2. Review all your options for the appliance location and also venting configuration. Try to minimize the alteration and reframing of structural components of the building (wall studs, water pipes, electrical wiring, ceiling joists, roof rafters, etc.). It may be easier to change the location of your appliance than to modify the building structure.
3. Carefully read the appliance and the venting system instruction manuals. Good planning might save you time, work and money.
4. Use only authorized EXCELPellet listed components. Do not use damaged parts.

TOOL CHECKLIST

Tools and equipment you may need for your installation.

- Eye protection
- Gloves
- Tape measure
- Extension cord
- Marking pencil
- Nails
- Stud sensor
- Square
- Circular saw
- Hand saw
- Drill
- Drill bits
- Screwdrivers
- Screws
- Keyhole saw
- Ladder
- Hammer
- Level
- Pliers
- Caulking gun
- Hi temp. Silicone sealant
- Plumb Bob



RULES OF SAFETY

1. Wear gloves when handling metal parts with sharp edges.
2. Wear safety glasses.
3. Electrical tools must be grounded.
4. If a ladder is required, it must be in good condition, installed on a firm surface, and levelled.
5. When cutting a wall, floor or ceiling, be careful not to damage wiring, gas or water pipes. If these elements need to be relocated, work should be done by a qualified person.

INSTALLATION INSTRUCTIONS

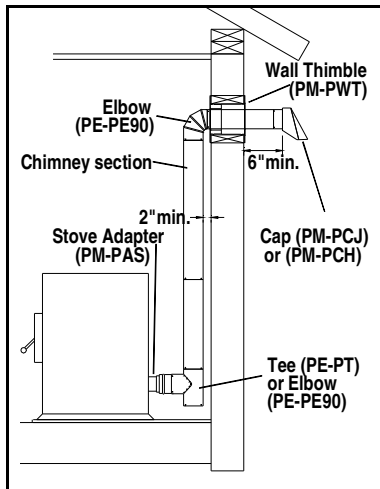
Typical installations are shown in these instructions. The clearance between the vent and combustible material must never be less than 2".

DO NOT FILL THIS AREA WITH INSULATION.

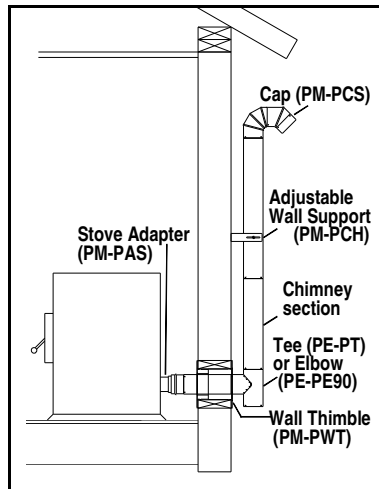
THROUGH-THE-WALL AND HORIZONTAL INSTALLATION

Drawings 1 and 2 are considered preferred installations because they provide natural draft in the event of a power failure and don't require cutting the roof. Drawing 3 is a common horizontal installation.

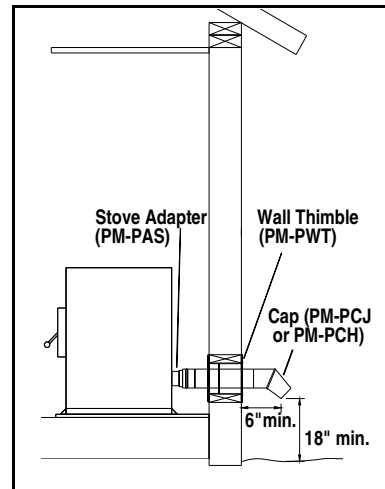
1. Locate the vent in a convenient place as near as possible to the appliance outlet. Cut and frame a hole in the wall where the vent will pass. Refer to the installation notes on page 4 to make sure the vent termination respects the guidelines for vent termination location. Refer to the technical specifications on page 3 to determine the rough opening required for the Wall Thimble you are installing.
2. From inside, put the interior portion (black square plate with insulation) of the Wall Thimble in the hole. Screw the thimble in place with four #8 x 1 1/2" wood screws.



Drawing 1

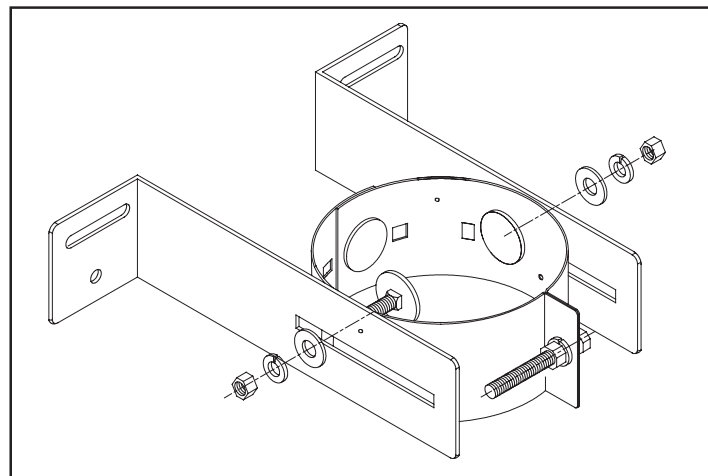


Drawing 2



Drawing 3

3. If the insulation sticks out more than 2" past the outside wall, trim it flush with the wall. Slide the exterior portion (the unpainted galvalume square plate) of the Wall Thimble over the insulation and screw it to the wall with four #8 x 1 1/2" wood screws. Seal the joint between the plate and the wall with silicone caulking. Bend the small tabs to the outside on the wall thimble plate. These tabs will have to be fastened to the chimney length passing to the wall thimble using two #6 x 1/4" screws provided.
4. Apply high temperature silicone caulking between the two liners of the Universal Stove Adapter (PM-PAS). Fasten the Universal Stove Adapter to the appliance flue collar using two #8 sheet metal screws. You may need to drill 1/8" diameter holes in the appliance flue collar if it is made of thick steel.
5. Fasten the first length, tee or elbow to the Universal Stove Adapter using three #6 x 1/4" sheet metal screws provided. Twist the part back and forth when you put them together. This turning motion will make the parts go together more easily. There is no need to apply silicone caulking to the exterior of the joint. The factory installed gasket on the flue will make a sealed connection. Put a small amount of liquid dish soap on each gasket to make it easier to assemble the vent sections. Do not use a petroleum-based lubricant.
6. Fasten additional parts as necessary. Refer to Drawings 1, 2 or 3 for typical installations.
7. If you are going up on the outside of the wall you will need to install an Adjustable Wall Support. Pre-assemble the support as shown on Drawing 4. The collar is adjustable for a 3" or 4" chimney. Install the wall support on the vent. Tighten the band locking bolt just enough to hold the wall support in place.



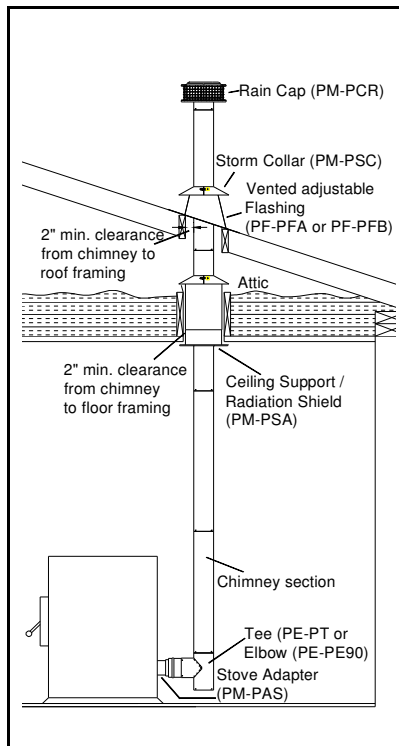
Drawing 4

8. Fasten the Wall Support brackets to the outside wall in a convenient location. First, drive two #8 x 1 1/2" or larger screws into the slotted holes. When you are certain of the bracket locations use two #8 x 1 1/2" or larger screws in the round holes to firmly attach the brackets in place. Insure that screws are solidly fastened to the wall structure. The Wall Support brackets are slotted to allow them to adjust in and out. Adjust the brackets so that the vent is a minimum of 2" from the wall and parallel with it. Tighten the Wall Support collar around the vent, and then secure it using at least two #6 x 1/4" screws provided.
9. Install additional Wall Supports as required at maximum intervals specified on page 3. The Wall Support should be adjusted to ensure the vent is vertical and at 2" (or more) clearance to combustibles.

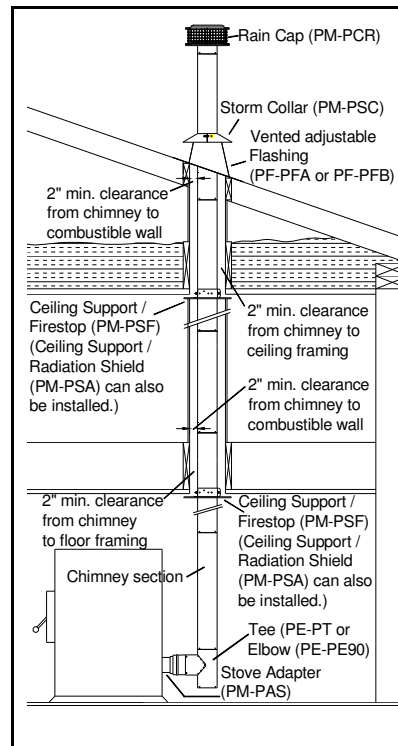
At the end of the last section, install an Adjustable Jet Cap (PM-PCJ), a Horizontal Cap (PM-PCH) or a Spark Screen (PM-PCS).

INTERIOR VERTICAL INSTALLATION

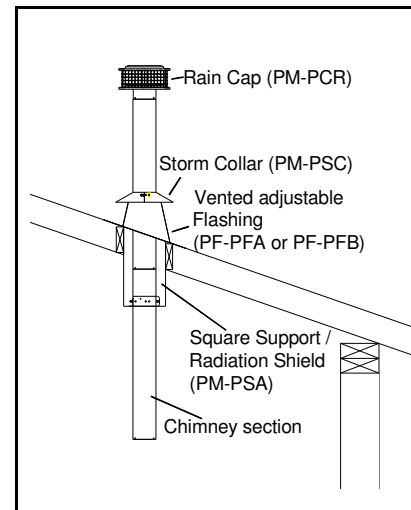
Drawings 5, 6 and 7 are typical inside installations with a vertical termination cap.



Drawing 5



Drawing 6

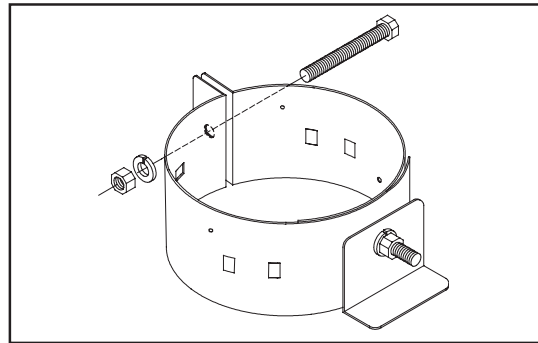


Drawing 7

1. Locate the vent in a convenient place as near as possible to the appliance flue collar. Cut and frame a hole in the floor, ceiling and roof where the vent will pass. Refer to the technical specifications on page 3 to determine the rough opening required for the support model you are installing.
2. If you are using the Square Support: from below, push the support into the framed hole. Screw the support to the framed joist with four #8 x 1 1/2" wood screws. The Ceiling Support/Radiation Shield or Ceiling Support/Firestop is also installed from below but you will screw them to the joist through the holes in the plate.
3. If you are using a Square Support you may find it difficult to screw it in place because there is not much room inside the support box. We have provided angle brackets with the support which can be screwed to the outside of the support box and screwed after to the surrounding framing as required. Use a minimum

of four #8 x 1 1/2" sheet metal screws per bracket. Place the Finish Collar around the support and fasten it to the ceiling using the four screws provided. The support must project below the ceiling a minimum of 1/4" into the room. This support is the perfect choice for cathedral ceilings.

4. Apply high temperature silicone caulking between the two liners of the Universal Stove Adapter (PM-PAS). Fasten the Universal Stove Adapter to the appliance flue collar using two #8 sheet metal screws. You may need to drill 1/8" diameter holes in the appliance outlet if it is made of thick steel
5. Fasten the first length, tee or elbow to the Universal Stove Adapter using three #6 x 1/4" sheet metal screws provided. Twist the part back and forth when you put them together. This turning motion will make the parts go together more easily. There is no need to apply silicone caulking to the exterior of the joint. The factory installed gasket on the flue will make a seal connection. Put a small amount of liquid dish soap on each gasket to make it easier to assemble the vent sections. Do not use a petroleum-based lubricant.
6. From this point, the best way to install the vent system is to add sections to between 6" and 12" below the ceiling, before going to the next step.
7. Measure the distance between the support and the last section, including the 1 3/4" overlap. Mark this distance to the section that will pass into the support. Pre-assemble the support collar (for a 3" or 4" chimney) as shown on the Drawing 8. Install the collar on the section of chimney that will pass through the support and tighten the locking bolt at your mark. Fasten permanently the collar with the #6 x 1/4" screws provided. Install the chimney section in the support and connect it to the length below with the screws provided.



Drawing 8

8. Proceed the same way if you have to pass through other floors.

Important: A firestop is required at each floor, installed from below.
9. IF THE VENT IS NOT ENCLOSED IN THE ATTIC: install a Ceiling Support/Radiation Shield (PM-PSA) and Collar (PM-PSC). The PM-PSA must be installed from below.
10. Continue adding chimney sections until the required chimney height is reached. Elbows are to be installed and secured in the same manner as the lengths. See Installation Notes on page 4 to determine the correct height.
11. Install the Roof Flashing (PF-PF, PF-PFA or PF-PFB): seal the joint between the roof and the flashing with roofing tar or silicone. For slopping roofs, place the flashing under the upper shingles and on top of the lower shingles - approximately half of the flashing should be under the shingles. Nail the flashing to the roof using roofing nails. Place the storm collar over the chimney and the flashing. Tighten it in place. Caulk the joint between the chimney and storm collar with silicone sealant.
12. Fit the Vertical Rain Cap (PM-PCR) to the top of the chimney. Fasten it with the three #6 x 1/4" screws provided.

INSTALLATION INTO A MASONRY FIREPLACE

Drawings 9, 10, 11, and 12 show typical installation configurations with an existing masonry chimney or masonry fireplace. Regulations are different in Canada and USA for this application. Check with the authority having jurisdiction in your area.

These types of installation provide reliable venting for normal operation and natural draft in case of power failure.

CANADA AND USA

In Canada and some places in USA, it is required that the masonry chimney be entirely relined from the appliance to its top. Drawings 9 and 10 show typical installations.

1. Have the masonry chimney inspected by a qualified chimney installer or chimney sweep to verify its structural condition.
2. Read the pellet appliance or insert instruction manual.
3. Apply high temperature silicone caulking between the two liners of the Universal Stove Adapter (PM-PAS). Fasten the Universal Stove Adapter to the appliance flue collar using two #8 sheet metal screws. You may need to drill 1/8" diameter holes in the appliance outlet if it is made of thick steel.

For an installation similar to Drawing 9, follow steps 4a to 6a. For Drawing 10, follow steps 4b to 7b.

- 4a. Measure and record the masonry chimney height. Add an additional 12 inches to ensure the termination is above the roof line. To reline the masonry chimney, you can use the EXCELiner or any other listed liner (CAN/ULC-S635 or UL 1777). The use of listed flex liner for the first 5 feet will often make the installation easier.
- 5a. Install the masonry liner pipe as described in the instruction manual supplied with the liner system.
- 6a. To connect a flex liner to the stove adapter, you may need a Female Flex Adapter (PM-PAF). Secure all joints using three #6 x 1/4" screws provided to complete your installation.

For an installation similar to Drawing 9, follow steps 4a to 7a. For Drawing 10, follow steps 4b to 7b.

- 4b. Measure and record the masonry chimney height. Add an additional 12 inches to ensure the termination is above the roof line. To reline the masonry chimney, you can use the EXCELiner or any other listed liner (CAN/ULC-S635 or UL 1777).
- 5b. Install the masonry liner pipe as described in the instruction manual supplied with the liner system. The first section will be a tee, and the tee mouth will have to be removed to slide the liner inside the masonry chimney down to the opening.
- 6b. When the installation of the liner system is completed, reinstall the tee mouth. Install a liner adapter to fit the EXCELPellet size, a masonry trim, and secure the joint using three #6 x 1/4" screws.
- 7b. As shown in Drawing 10, fasten a tee or elbow to the universal stove adapter and chimney lengths required to fit up to the liner adapter. You may need to use an adjustable length. Twist the part back and forth when you put them together. This turning motion will make the parts go together more easily. There is no need to apply silicone caulking to the exterior of the joint. The factory installed gasket on the flue will make a sealed connection. Secure all joints using three #6 x 1/4" screws provided. Put a small amount of liquid dish soap on each gasket to make it easier to assemble the vent sections. Do not use a petroleum-based lubricant.

USA ONLY

Drawings 11 and 12 are typical installations allowed in the USA only. In some places in the USA it may be required that the masonry chimney be entirely relined from the appliance to the top. Refer to the previous section.

1. Have the masonry chimney inspected by a qualified installer or chimney sweep to verify its structural condition. If the chimney is not in good condition, you may want to install a liner all the way to the top as in the previous method (CANADA and USA).
2. Read the pellet appliance or insert instruction manual.

For an installation similar to Drawing 11, follow steps 3, 4 and 9. For Drawing 12, follow steps 5 to 9.

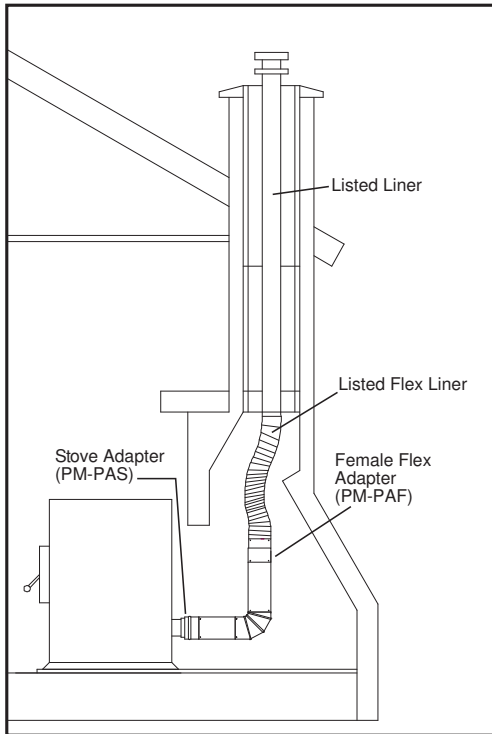
3. Apply high temperature caulking to the appliance flue collar. Fasten the Universal Stove Adapter (PM-PAS) to the appliance flue collar using two #8 sheet metal screws. You may need to drill 1/8" diameter holes in the appliance outlet if it is made of thick steel.
4. As shown in Drawing 11, fasten a tee or elbow to the universal stove adapter and chimney lengths required to fit in the masonry chimney access. You may need to use an adjustable length. Twist the part back and forth when you put them together. This turning motion will make the parts go together more easily. There is no need to apply silicone caulking to the exterior of the joint. The factory installed gasket on the flue will make a sealed connection. Put a small amount of liquid dish soap on each gasket to make it easier to assemble the vent sections. Do not use a petroleum-based lubricant. Bend the tabs and slide the Masonry Adapter (PM-PAM) before installing the last section. Secure all joints using three #6 x 1/4" screws provided. Make sure the last horizontal EXCELPellet section extends a minimum of 1 inch into the masonry chimney. Secure the last section to the masonry adapter tabs with two #6 x 1/4" screws provided.
5. Install a custom cut sheet metal plate into the masonry chimney to block the damper area. Slide a listed flex liner through the hole in the steel plate. The flex liner must extend to a minimum of 18 inches above the steel plate. Use high temperature caulking around the plate and around the flex to insure a good seal. Even if a pellet appliance works with positive pressure you want to prevent dilution air from entering the chimney or flue gases to come back into the room.
6. Apply high temperature caulking to the appliance flue collar. Fasten the Universal Stove Adapter (PM-PAS) to the appliance flue collar using two #8 sheet metal screws. You may need to drill 1/8" diameter holes in the appliance outlet if it is made of thick steel.
7. As shown in Drawing 12, connect the required length of EXCELPellet chimney, a 90° elbow and a Female Flex Adapter (PM-PAF) together and attach it to the stove adapter.

1st alternative: You can eliminate the chimney length and the 90° elbow, and use a longer listed flex pipe.

2nd alternative: The elbow can be replaced by a tee (mostly for insert applications).

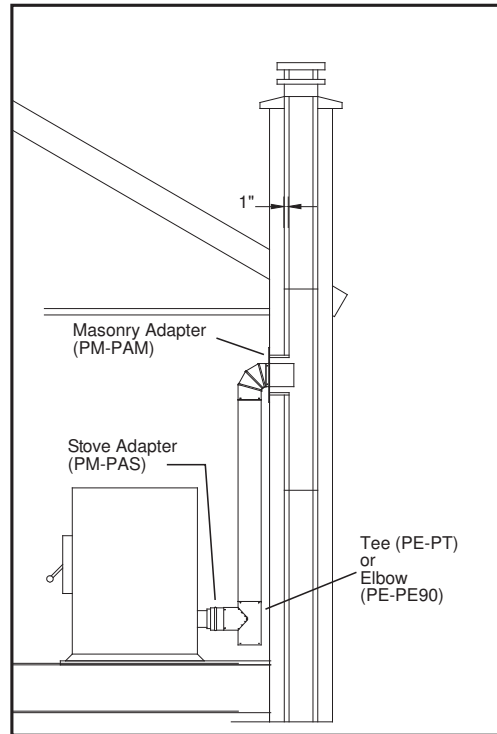
8. Connect and fasten the flex chimney to the female flex adapter.
9. A cap should be installed at the top of the masonry chimney to keep out rain.

Canada and USA

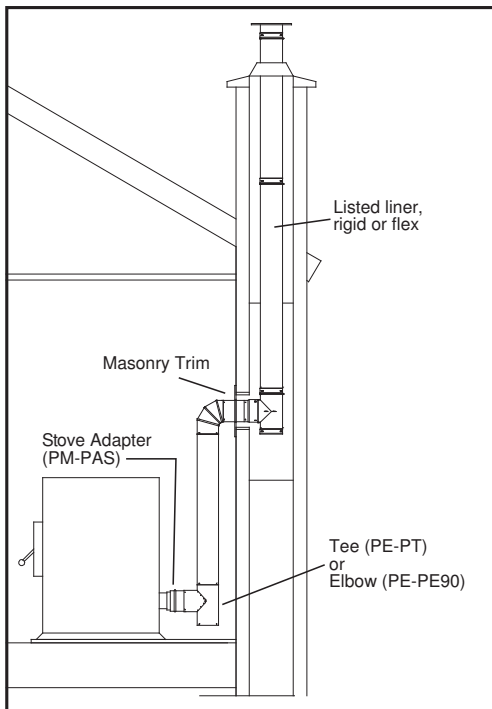


Drawing 9

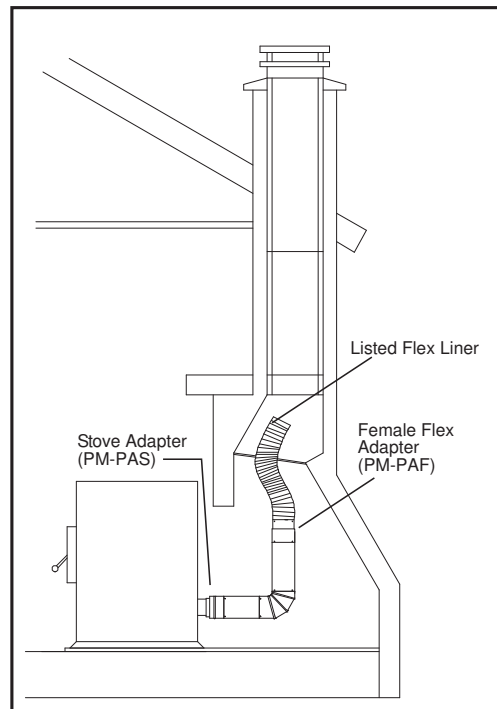
USA only



Drawing 11



Drawing 10



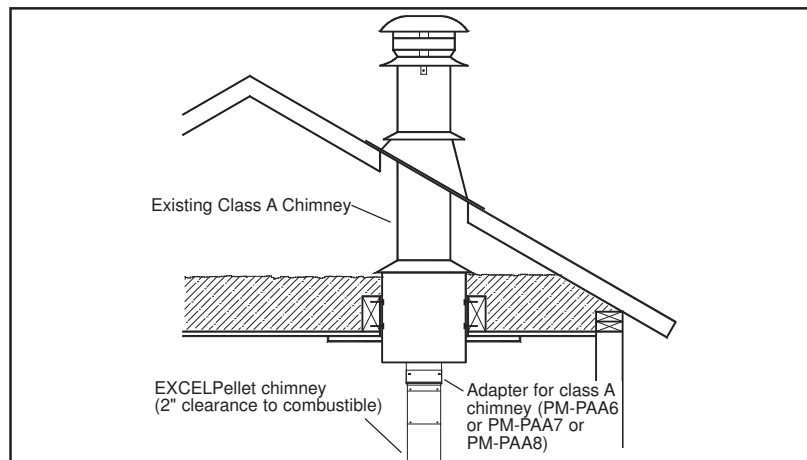
Drawing 12

EXCELPellet CONNECTED TO CLASS A CHIMNEY

Drawing 13 shows a typical connection of EXCELPellet and class A chimney. This application is normally used when replacing a wood stove with a pellet appliance.

Note: Connection to a pellet appliance using agricultural products to some brands of class A chimney may void the class A warranty.

1. Remove the existing connector pipe, leaving the class A stove pipe adapter in place.
2. The interior of the existing chimney needs to be completely cleaned of soot and creosote. It should also be inspected by a qualified technician (sweep, building inspector, etc.) for structural integrity.
3. Use the correct size class A chimney adapter (PM-PAA6, PM-PAA7 or PM-PAA8) for your application. The adapter should be installed on the outside of the class A flue (not outside casing) and secured with the three #6 x 1/4" screws provided.
4. Apply high temperature silicone caulking between the two liners of the Universal Stove Adapter (PM-PAS). Fasten the Universal Stove Adapter to the appliance flue collar using two #8 sheet metal screws. You may need to drill 1/8" dia. holes in the stove outlet if it is made of thick steel.
5. Install the appropriate lengths of EXCELPellet on the appliance up to the chimney adapter. You may also need an adjustable length. Secure the adjustable length the same way as a regular length. Put a small amount of liquid dish soap on each gasket to make it easier to assemble the vent sections. Do not use a petroleum-based lubricant.



Drawing 13

EXCELPellet PART LIST

Component Name	Ø3" I.D	Ø4" I.D.
Length		
6" Length	PC-3PL6	PC-4PL6
6" Adjustable Length	PC-3PLA6	PC-4PLA6
12" Length	PC-3PL1	PC-4PL1
24" Length	PC-3PL2	PC-4PL2
36" Length	PC-3PL3	PC-4PL3
48" Length	PC-3PL4	PC-4PL4
Elbow		
45° Elbow	PE-3PE45	PE-4PE45
90° Elbow	PE-3PE90	PE-4PE90
Tee		
Tee c/w cap	PE-3PT	PE-4PT
4" tee c/w cap & 3" mouth	---	PE-4PT3
Increaser		
Increaser 3" - 4"	PM-3PI4	---
Termination Cap		
Vertical Rain Cap	PM-3PCR	PM-4PCR
Ajustable Jet Cap	PM-3PCJ	PM-4PCJ
Horizontal Cap	PM-3PCH	PM-4PCH
Cap Screen	PM-3PCS	PM-4PCS
Support		
Square Support / Radiation Shield	PM-3PSS	PM-4PSS
Ceiling Support / Radiation Shield	PM-3PSA	PM-4PSA
Ceiling Support / Firestop	PM-3PSF	PM-4PSF
Adjustable Wall Support	PM-PSW	
Insulated Wall Thimble		
Adjustable Wall Thimble	PM-3PWT	PM-4PWT
Flashing and collar		
Flat Flashing	PF-3PF	PF-4PF
Flashing 1/12 – 7/12	PF-3PFA	PF-4PFA
Flashing 8/12 – 12/12	PF-3PFB	PF-4PFB
Storm Collar	PF-3PSC	PF-4PSC
Adapter		
Stove Adapter	PM-3PAS	PM-4PAS
Masonry Adapter	PM-3PAM	PM-4PAM
6" Class A Chimney Adapter	PM-3PAA6	PM-4PAA6
7" Class A Chimney Adapter	PM-3PAA7	PM-4PAA7
8" Class A Chimney Adapter	PM-3PAA8	PM-4PAA8
Female Flex Adapter	PM-3PAF	PM-4PAF
5" Liner Adapter	PM-3PAL5	PM-4PAL5

LIMITED LIFETIME WARRANTY ICC EXCELPellet CHIMNEY

ICC warrants its EXCELPellet chimney components to be free from functional failure due to defects in material or workmanship for as long as the original consumer owns the chimney system. This warranty provides for replacement of any chimney components, including the gasket which fails as a result of normal use on a residential appliance. This warranty does not cover smoke damage or damage caused to the building by chimney fires or misuse of the product.

No claims under this warranty will be honoured unless ICC is notified of the potential claim and is given the opportunity to have one of its agents examine the chimney prior to replacement.

ICC will only be responsible for repair or replacement of any chimney found to be defective under this warranty. In no event shall ICC be responsible for any incidental or consequential damage caused by defects in the EXCELPellet chimney system.

During the first five years of the warranty ICC will provide replacement chimney lengths at no charge. During the balance of the warranty ICC will provide replacement chimney lengths at 50% of the current retail price at the time of the warranty claim.

ICC will not be responsible for labour of any kind required in the removal or replacement of an EXCELPellet system replaced under this warranty.

This chimney is designed to vent residential automatic particulate fuel-burning appliances (wood pellet and agricultural products appliances), natural gas, propane and liquid fuel-burning appliances. It is designed to operate at a continuous temperature of 300°C or less. EXCELPellet is not designed to vent condensing oil or gas appliances. This warranty is void if the chimney is used in an application for which it is not designed.

The EXCELPellet system must be installed according to the Installation Instructions included with every system at the time of purchase. If you do not have a set of installation instructions they are available free upon request. This warranty is void if the chimney is not installed according to the installation instructions.

This warranty may not be extended or modified by our agents or representatives. This warranty is in lieu of all other express warranties or guarantees, of any kind.