

Jøtul GF 300 BV Ver. 2
Allagash
Natural Vent Gas Stove

Installation and Operation Instructions



Conforms to ANSI Z21.88-2016 • CSA 2.33-2016,
CAN/CGA 2.17-M09, and CSA P.4.1-15

INSTALLER: Leave this manual with the appliance.
CONSUMER: Retain this manual for future reference.

WARNING: If the information in these instructions is not followed exactly, a fire or explosion may result causing property damage, personal injury or loss of life.

- Do not store or use gasoline or other flammable vapors and liquids in the vicinity of this or any other appliance.
- **WHAT TO DO IF YOU SMELL GAS**
 - Do not try to light any appliance.
 - Do not touch any electrical switch; do not use any phone in your building.
 - Immediately call your gas supplier from a neighbor's phone. Follow the gas supplier's instructions.
 - If you cannot reach your gas supplier, call the fire department.
- Installation and service must be performed by a qualified installer, service agency or the gas supplier.
- In the Commonwealth of Massachusetts, a carbon monoxide (CO) detector shall be installed in the same room as the appliance.

This appliance may be installed in an aftermarket, permanently located, manufactured home or mobile home, where not prohibited by local codes.

This appliance is only for use with the types of gas indicated on the rating plate. A conversion kit is supplied with the appliance.

⚠ DANGER



**HOT GLASS WILL
CAUSE BURNS.
DO NOT TOUCH GLASS
UNTIL COOLED.
NEVER ALLOW CHILDREN
TO TOUCH GLASS.**

A barrier designed to reduce the burn hazard from the glass viewing area is provided with this appliance and shall be installed for the protection of children and other at-risk individuals.

THIS OWNER'S MANUAL PROVIDES INFORMATION TO ENSURE SAFE INSTALLATION AND EFFICIENT, DEPENDABLE OPERATION OF YOUR GAS STOVE. PLEASE READ THESE INSTRUCTIONS IN THEIR ENTIRETY AND MAKE THEM AVAILABLE TO ANYONE USING OR SERVICING THIS APPLIANCE.

DO NOT ATTEMPT TO ALTER OR MODIFY THE CONSTRUCTION OF THIS APPLIANCE OR ITS COMPONENTS. ANY MODIFICATION OR ALTERATION WILL VOID THE WARRANTY, CERTIFICATION AND LISTING OF THIS APPLIANCE.

THIS HEATER MUST BE INSTALLED AND MAINTAINED BY A QUALIFIED SERVICE AGENCY.

Suggested Tools for Installation and Service

- External regulator (for Propane only)
- Piping which complies with local code
- Manual shut-off valve - T-Handle required in Massachusetts
- Sediment trap - if required by code
- Tee joint
- Pipe wrench
- Pipe sealant
- 10 mm open end wrench
- 1/2", 7/16" open end wrench
- Phillips head screwdriver
- Flat head screwdriver
- 1/4" nut driver
- Gloves
- Safety glasses
- Torx T-20 screwdriver
- Tin snips

PLEASE NOTE:

It is normal for smoke and odor to occur during the initial stages of operation, depending upon temperatures generated over time. This "curing" condition can be alleviated by promoting fresh air circulation within the immediate vicinity of the appliance.

Installation Requirements for the Commonwealth of Massachusetts

THIS PRODUCT MUST BE INSTALLED BY A LICENSED MASTER OR JOURNEYMAN PLUMBER OR GAS-FITTER WHEN INSTALLED IN THE COMMONWEALTH OF MASSACHUSETTS.

MA Approval Code G3-o817-12

1. If there is not one already present, on each floor level where there are bedroom(s), a carbon monoxide detector and alarm shall be placed in the living area outside the bedroom(s). The carbon monoxide detector shall comply with NFPA 720 (2005 Edition).
2. A carbon monoxide detector shall:
 - a) Be located in the room that houses the appliance or equipment;
 - b) Be either hard-wired or battery powered or both; and
 - c) Shall comply with NFPA 720 (2005 Edition).
3. A Product-approved vent terminal must be used, and if applicable, a Product-approved air intake must be used. Installation shall be in strict compliance with the manufacturer's instructions. A copy of the installation instructions must remain with the appliance or equipment at the completion of the installation.

NATIONAL FIREPLACE INSTITUTE



CERTIFIED
www.nficertified.org

We recommend that our gas products be installed and serviced by professionals who are certified in the U.S. by the National Gas stove Institute® (NFI) as NFI Gas Specialists.

Canada

ENERGUIDE

Gas Fireplace Energy Efficiency Rating

58.68%

Based on CSA P.4.1-15

Model No. Jøtul GF 300 BV

ENERCHOICE

ENERCHOICE.ORG

Table of Contents

Service Tools 2

Specifications 4

General Information 5

Unpacking Your Stove 5

Safety Information 5

Installation Requirements

 Location 6

 Hearth Requirements 6

 Clearances 7

 Mantel & Trim 7

 Alcove 7

Vent Requirements 8

Fuel Conversion 11

Gas Supply Connection 13

Gas Pressure 14

Log Set Installation 15

Flame Adjustment 16

Optional Wall Thermostat 16

Remote Control 16

Decorative Pipe 17

System Check 17

Stove Operation 18

Maintenance 19

 Annual Cleaning 19

 Glass Replacement 19

Optional Blower 20

Optional Antique Brick Kit 22

High Altitude Adjustment 23

Mobile Home Installation 23

Illustrated Parts Breakdown 24

Replacement Parts List 25

Warranty Statement 26

Lighting Instructions 27

Jøtul GF 300 BV Allagash Natural Vent Gas Stove

Manufactured and Distributed by:
Jøtul North America
 55 Hutcherson Dr.
 Gorham, Maine 04038

Test Standards

This appliance complies with National Safety standards and is tested and listed by Intertek Testing Services of Middleton, Wisconsin to ANSI Z21.88-2016 • CSA 2.33-2016, CAN/CSA 2.17-M91 and CSA P.4.1-15 for Canada.

DO NOT ATTEMPT TO ALTER OR MODIFY THE CONSTRUCTION OF THE APPLIANCE OR ITS COMPONENTS. ANY MODIFICATION OR ALTERATION WILL VOID THE WARRANTY, CERTIFICATION AND LISTING OF THIS APPLIANCE.



Your stove has a unique serial number stamped on the rating plate which is hung on the back. Please record the serial number in the space below. You may also wish to attach your purchase receipt to this page for future reference.

MODEL NAME: Jøtul GF 300 BV Gas Stove

SERIAL NUMBER: _____

DATE OF PURCHASE: _____

AUTHORIZED DEALER: _____

ADDRESS _____

PHONE: _____

INSTALLER: _____

FUEL TYPE: _____

FUEL CONVERSION: NO _____ YES _____

NOTES: _____

GF 300 BV Allagash Specifications

The Jøtul GF 300 BV Allagash is an atmospherically-vented gas heater designed only for vertical venting directly to the outside of the house, using listed, Type B-vent pipe.

Input Rates

Natural Gas

26,000 BTU/hr. maximum input
15,000 BTU/hr. minimum input

Propane

26,000 BTU/hr. maximum input
13,500 BTU/hr. minimum input

Inlet Pressure:

	MIN.	MAX.
Natural Gas:	5.0 WC (1.24 kPa)	7.0 WC (1.74 kPa)
Propane:	12.0 WC (2.99 kPa)	14.9 WC (3.71 kPa)

Manifold Pressure:

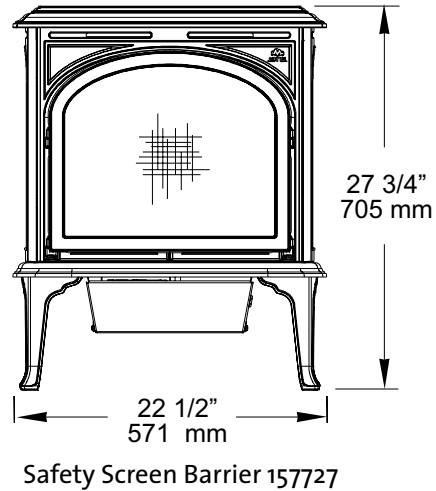
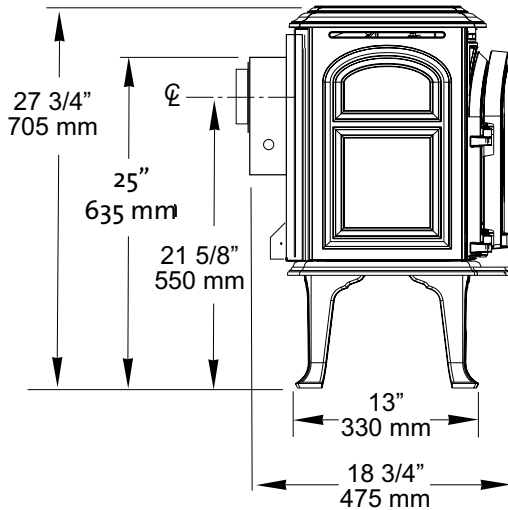
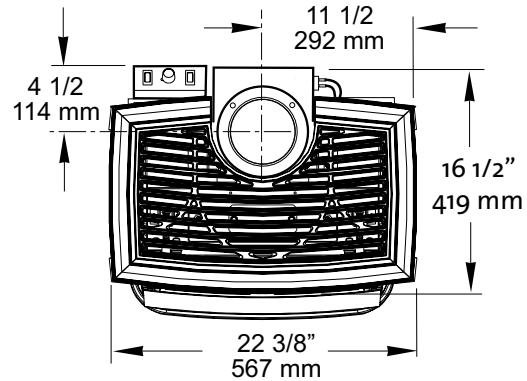
	MIN.	MAX.
Natural Gas:	1.2 WC (.30 kPa)	3.8 WC (.95 kPa)
Propane:	2.9 WC (.722 kPa)	11.0 WC (2.74 kPa)

Piezo Ignitor / Standing Pilot

THIS GAS STOVE IS SHIPPED FROM THE FACTORY FOR USE WITH NATURAL GAS ONLY. FOR USE WITH PROPANE, THE APPLIANCE MUST FIRST BE CONVERTED USING #155592 FUEL CONVERSION KIT PROVIDED. CONVERSION SHOULD BE MADE BEFORE THE APPLIANCE IS INSTALLED. SEE PG. 11.

157724 Top Plate Cover Kit

This optional kit is available for rear-exit vent applications. The kit includes a steel Top Plate Insert, Insert Support, fasteners, and instructions.



General Information

■ THIS HEATER MUST BE INSTALLED AND MAINTAINED BY A QUALIFIED SERVICE AGENCY.

■ The installation and repair of this appliance must be done by a qualified service person. Failure to properly install and maintain this heater could result in an unsafe or hazardous installation, which may result in a fire, explosion, property damage, personal injury or loss of life.

■ This appliance may be installed in an aftermarket permanently located, manufactured (mobile) home, where not prohibited by local codes.

This appliance is only for use with the type(s) of gas indicated on the rating plate. This appliance is not convertible for use with other gases, unless a certified kit is used.

■ This appliance should be inspected before use and at least annually. More frequent cleaning may be required due to excessive lint from carpeting, bedding material, etc. It is imperative that control compartments, burners, and circulating air passageways of the appliance be kept clean.

■ THIS APPLIANCE MUST NOT BE CONNECTED TO A CHIMNEY OR FLUE SERVING ANY OTHER APPLIANCE.

■ The installation must conform to local codes. Your local Jøtul dealer can assist you in determining what is required in your area for a safe and legal installation. Some areas require a permit to install a gas burning appliance. Always consult your local building inspector, or authority having jurisdiction, to determine what regulations apply in your area.

■ **CODE COMPLIANCE:** Your local officials have final authority in determining if a proposed installation is acceptable. Any requirement that is requested by the local authority having jurisdiction, that is not specifically addressed in this manual, defaults to local code. In the absence of local codes, the installation requirements must comply with the current edition of National codes. In the U.S., these requirements are established in the National Fuel Code, ANSI Z223.1.(NFPA 54) current edition. In Canada, the codes have been established in CAN/CGA B149 Fuel Installation Code, current edition.

Consult the local or national installation code(s) to assure that adequate combustion and ventilation air is available.

■ **DO NOT OPERATE THIS STOVE IF ANY PART HAS BEEN UNDER WATER.** Call a qualified service technician to inspect the heater and to replace any part of the control system and any gas control which may have been under water.

Glass Panel

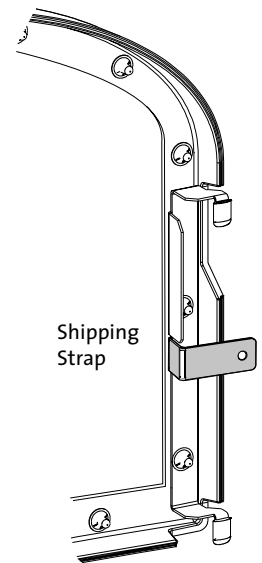
Do not operate this appliance with the glass front removed, cracked, or broken. Replacement of the glass should be done by a licensed or qualified service person. Only remove glass for routine service. Always handle glass carefully.

Unpacking the stove

1. Remove the Top Plate of the stove by simply lifting it straight off of the stove body.

2. To open the firebox, disengage the two Glass Frame Latches located on top of the firebox. Pull each handle forward to clear the latch from the notch in the frame.

3. **SAFETY BARRIER SCREEN:** This appliance is shipped with a Certified Barrier Screen that must be installed before operating the unit. It is secured to the shipping pallet. Remove those two screws and break both perforated shipping straps off of the barrier attachment brackets as shown in grey at right.



Attach the barrier assembly to the stove front by engaging its brackets over the stove door hinge bosses. The barrier may be installed with the stove doors either open or closed.

4. Familiarize yourself with the installation requirements specified in this manual before beginning the installation.

Hardware Bag Contents

- Fuel Conversion Kit - LP155592
- Decorative Pipe Brackets129469
- Rock Wool, .006 kg.224136

Safety Information

- Due to the high operating temperatures this appliance should be located out of traffic and away from furniture and draperies. Maintain proper clearance to combustible mantels and gas stove trim.
- Children and adults should be alerted to the hazards of high surface temperatures and should stay away to avoid burns or clothing ignition.
- Young children should be supervised while they are in the same room as the appliance. Toddlers, young children and others may be susceptible to accidental contact burns. A physical barrier, such as a child guard, is recommended to be used if there are at-risk individuals in the house. To restrict access to a gas stove or stove, install an adjustable safety gate to keep toddlers, young children and other at-risk individuals out of the room and away from hot surfaces.
- A barrier designed to reduce the risk of burns from the hot viewing glass is provided with this appliance and shall be installed for the protection of children and other at-risk individuals.
- If the safety barrier becomes damaged, the barrier shall be replaced with the manufacturer's barrier for this appliance, PN 157727.
- Any safety screen, guard, or barrier removed for servicing an appliance must be replaced prior to operating the appliance.
- Clothing or other flammable materials should not be placed on or near the gas stove.
- Never allow anyone to use the gas stove if they are unfamiliar with its operation.
- NEVER store or use gasoline or any other flammable vapors or liquids in the vicinity of this appliance.
- Never burn any solid materials (wood, cardboard, paper, coal, etc.) in this appliance. Use with natural gas or propane fuel ONLY.
- Do not slam or strike the glass panel.
- This appliance is NOT for use with aftermarket glass doors.
- Wear gloves and safety glasses while installing or performing maintenance procedures on this appliance.

Location

In selecting a location for the stove, consider the following points:

- 1) Heat distribution
- 2) Vent termination requirements
- 3) Gas supply line routing
- 4) Traffic areas, furniture, draperies, etc.

The GF 300 BV may be located on or near conventional construction materials, however, proper clearance to combustibles must be maintained in order to provide adequate air circulation around the appliance. Also, it is important to provide adequate access around the stove for servicing and proper operation.

The clearance and hearth specifications listed in this manual are the minimum requirements for combustible material. A combustible material is anything that can burn (i.e. sheet rock, wall paper, wood, fabrics etc.). These surfaces are not limited to those that are visible and also include materials that may be located behind non-combustibles.

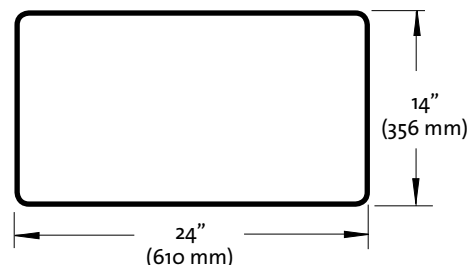
If you are not sure of the combustible nature of a material, consult your local fire officials. "Fire Resistant" materials are considered combustible: they are difficult to ignite, but will burn. Also, "fire-rated" sheet rock is considered combustible.

Hearth Requirements

The GF 300 BV gas stove CANNOT be installed directly on carpeting, vinyl, linoleum or Pergo®.

If this appliance will be installed on any combustible material other than wood, a floor pad must be installed that is either metal or wood, or a listed hearth pad. This floor protection must extend the full width and depth of the appliance. It is not necessary to remove carpeting, vinyl or linoleum from underneath the floor protection. See fig. 1.

Figure 1. Minimum Hearth Protection.



Stove and Vent Clearance Requirements

The clearances specified and diagrammed here are established from the stove body. The safety barrier has no effect on clearances to combustible material.

Minimum Clearances from the Stove to Combustibles

See figs. 2-3.

- Rear: 2" (51 mm) - measured from Draft Hood
- Ceiling: 32 1/4" (819 mm) - measured from stove top
- Corner: 3" (76 mm) - measured from stove top
- Sides: 3" (76 mm) - measured from stove top

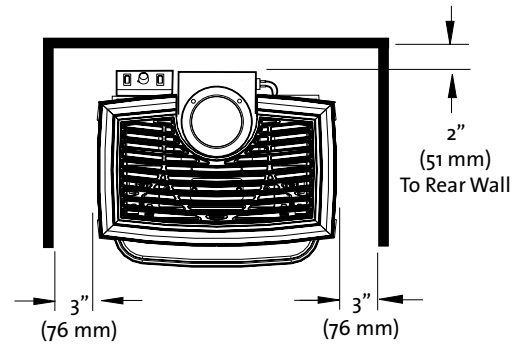


Figure 2. Parallel Installation Clearances.

Minimum Clearances from the Vent Pipe to Combustibles

Horizontal Run:

- Top: Off the top of the pipe 2" (50 mm)
- Sides: Off the sides and bottom 2" (50 mm)

Vertical Run:

- All sides: 1" (25 mm)

All vent components must be installed in accordance with the manufacturer's instructions and within the terms of their listing. Refer to the manufacturer's instructions for approved clearances from the vent pipe to combustible materials.

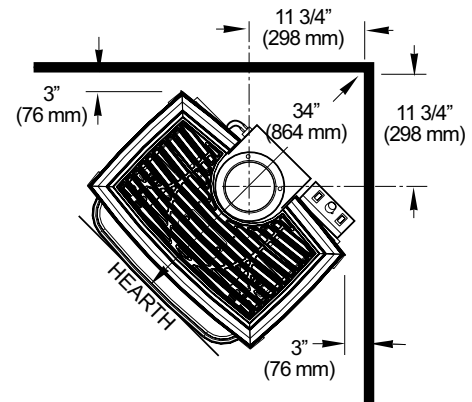


Figure 3. Vent adaptor centerline at minimum clearance to corner walls.

Minimum Alcove Dimensions

Maintain clearances to combustibles as noted above.

- Width: 36" (914 mm)
- Depth: 24" (610 mm)
- Height: 61" (1550 mm)

Mantel Clearances - Stove shown with standard legs. With Short Legs, subtract 2 1/4" (57 mm) from the clearances indicated below, when measured from the floor.

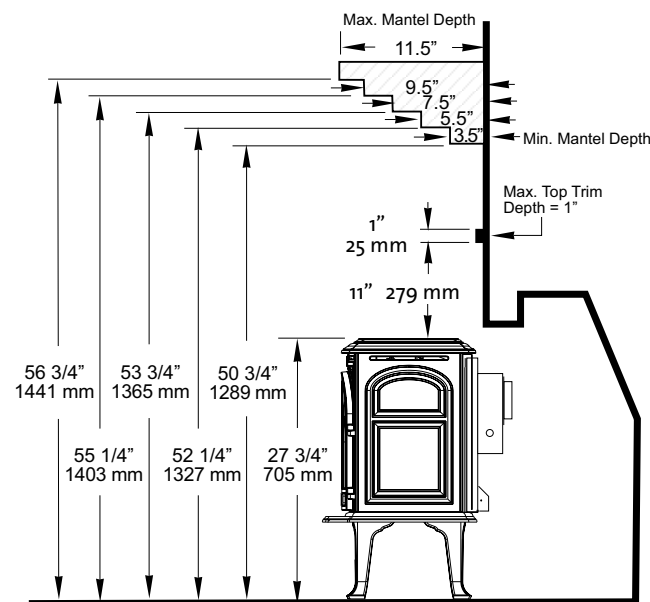


Figure 4. Mantel and Trim specifications - Stove installed flush with gas stove face.

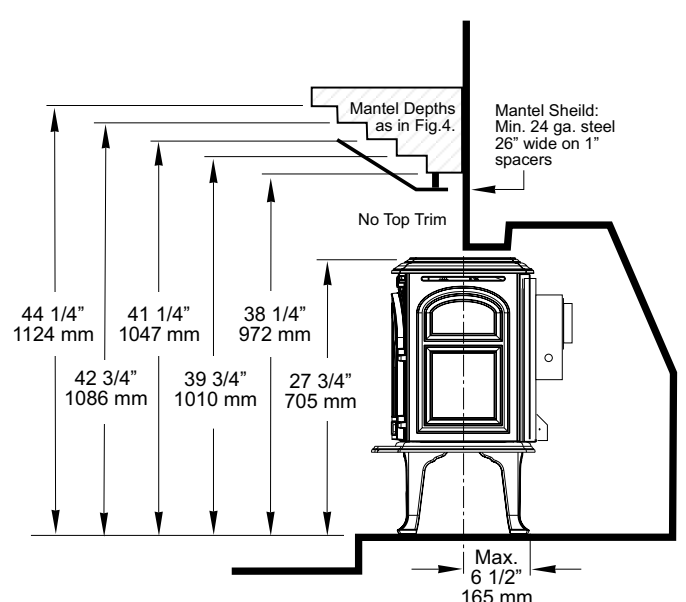


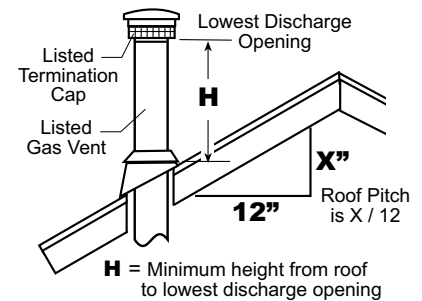
Figure 4a. Mantel specifications - Stove recessed into gas stove no more than 6 1/2".

Vent Requirements

The GF 300 BV Allagash is specifically designed to operate using 4" Type B vent pipe components or a Listed Flexible gas liner.

- All venting components must be installed in accordance with the terms of their listing and manufacturer's instructions.
- The minimum height of a vertically terminated system shall be no less than 7', and the maximum height shall be no more than 35'. See diagrams on page 10.
- With steep roofs, nearby trees, and in predominant windy conditions, poor draft or down draft conditions can occur. In these cases, increasing the height of the vent or high wind termination caps may improve the situation.
- ELBOWS:** If an offset or elbow is necessary in the vertical rise, it is important to support the vent pipe every three feet, to avoid excessive stress on the offsets.
- Whenever possible use 45° elbows opposed to 90° elbows. This offers less restrictions for the flow of flue gases.
Maximum number of 90° elbows: three
Maximum number of 45° elbows: four
- TOTAL MAXIMUM HORIZONTAL RUN ANYWHERE IN THE VENTING CONFIGURATION IS 4 FEET.** The distance between any 45° elbows is considered a horizontal run. See diagrams, page 10.
- Any Type B vent passing through a roof must have a flashing, storm collar, thimble and a Type B cap is required. See diagrams, page 10.
- Venting on the Allagash CANNOT be less than 4" in diameter or greater than 4" in diameter.
- Any unused chimney flue enclosure, (masonry or prefabricated) can be used as a passage way for venting, but the flue must be relined using Type B 4" vent or Listed Flexible Gas Liner. See fig. 6. The remaining space around the liner in a masonry or zero-clearance flue CANNOT be used to vent any other appliance.
- When terminating through the roof refer to the Gas Vent Rule for proper vent termination height. See fig. 5.
- NO venting may terminate horizontally or below roof eaves.

Roof Pitch	H (Ft.)
Flat to 6/12.....	1.0*
Over 6/12 to 7/12	1.25*
Over 7/12 to 8/12.....	1.5*
Over 8/12 to 9/12.....	2.0*
Over 9/12 to 10/12	2.5*
Over 10/12 to 11/12.....	3.25
Over 11/12 to 12/12	4.0
Over 12/12 to 14/12	5.0
Over 14/12 to 16/12.....	6.0
Over 16/12 to 18/12.....	7.0
Over 18/12 to 20/12	7.5
Over 20/12 to 21/12.....	8.0



* 3 foot (91 cm) minimum in snow regions

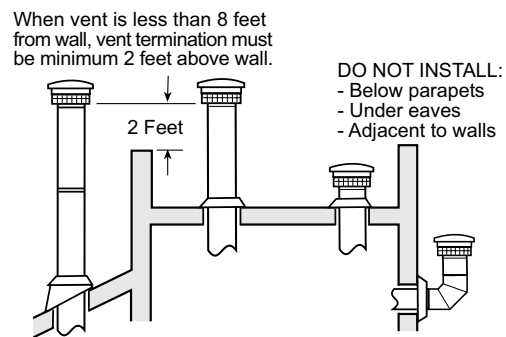


Figure 5. Termination Height Requirements.

- Passage through combustibles (walls, ceilings) must be with Type B venting and must maintain listed clearances.
- Any horizontal run should have an upward slope of 1/4" per foot toward the termination cap.
- When venting through a thimble into a masonry flue, any venting exposed in the room must be Type B venting, or a flexible liner sleeved within 24 ga. 6" stove pipe.
- Listed Flexible Gas Liners may not be exposed in any living space.

- When 6" diameter decorative pipe is installed to cover the venting any Listed Flexible Gas liner must be connected directly to the stove's draft hood.
- Use of single wall connector pipe as a vent is prohibited for use with the GF300 Allagash B-Vent stove.
- A firestop is required at every floor.
- Any venting that is exposed above the first floor, regardless of attic space or living space, must be enclosed. Always maintain the required clearance from all sides of the vertical vent system according to manufacture.
- Installation of any components not manufactured or approved by Jøtul or failure to meet all clearance requirements will void all warranties and could result in property damage, bodily injury, or serious fire.
- Never modify any venting component, or use any damaged venting product.
- THE GAS APPLIANCE AND VENT SYSTEM MUST BE VENTED DIRECTLY TO THE OUTSIDE OF THE BUILDING, AND NEVER ATTACHED TO A CHIMNEY SERVING A SOLID FUEL OR GAS BURNING APPLIANCES.
- BE SURE TO MAINTAIN THE PROPER CLEARANCES TO COMBUSTIBLES AS DEFINED IN THIS MANUAL AND IN THE INSTRUCTIONS PROVIDED WITH EACH VENTING COMPONENT.
- **When installing at an altitude above 2000' the minimum vertical rise becomes 12' from the draft hood.**

NOTE:

A chimney system located outside the building envelope may be subject to downdrafting and/or flow reversal. Atmospherically-vented appliances, such as B-Vents, may not be compatible with these chimney systems.

All atmospherically-vented appliances (B-Vents) are affected by atmospheric conditions and house pressurization. For example, a B-Vent appliance vented to an outside chimney system in a basement will likely be subject to negative pressure. This type of installation is not recommended.

Venting through a Masonry or Prefabricated Manufactured Chimney

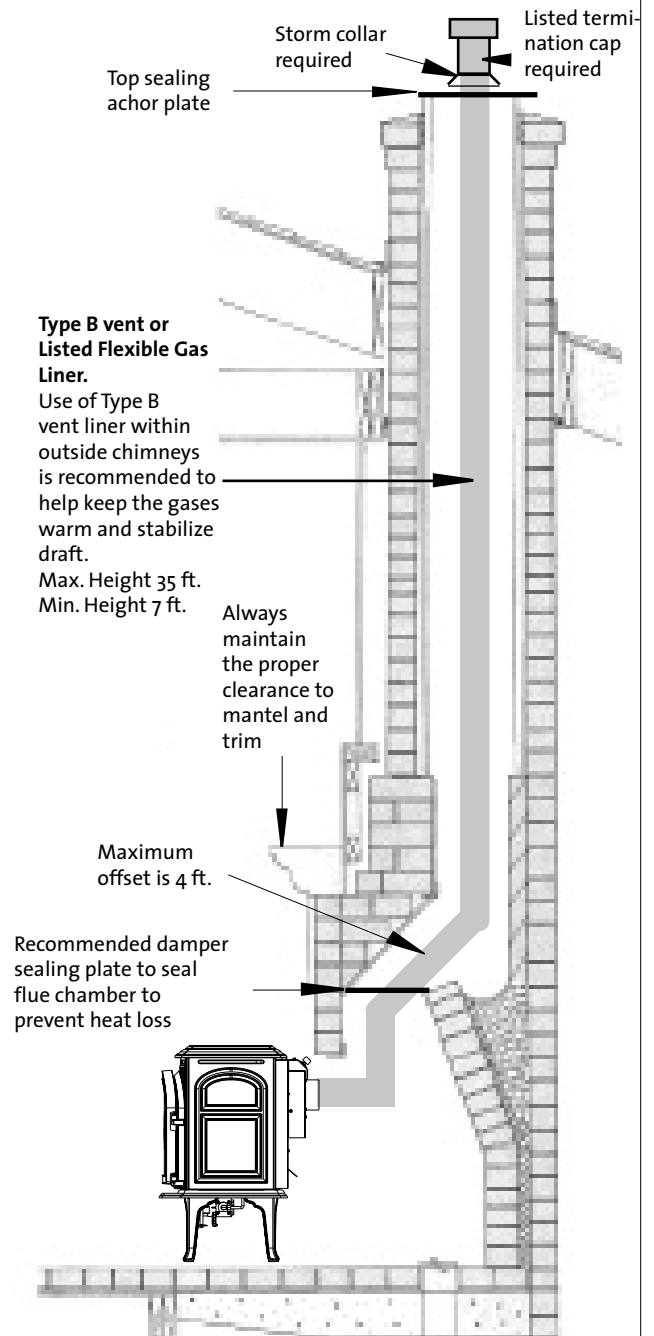


Figure 6. GF 300 BV venting through a masonry chimney.

Approved B-Vent Configurations

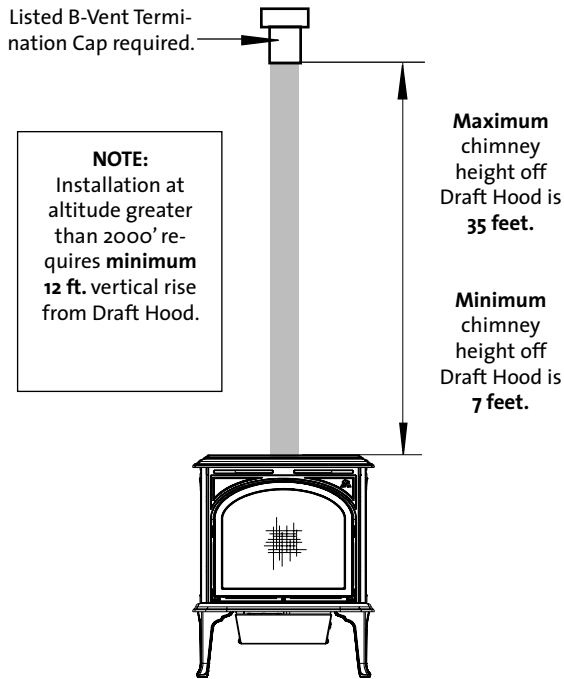


Figure 7.

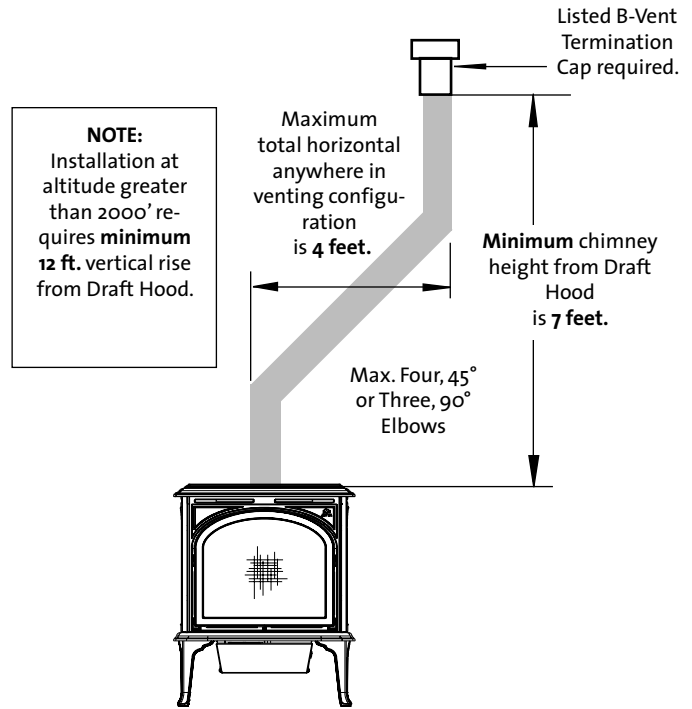


Figure 8.

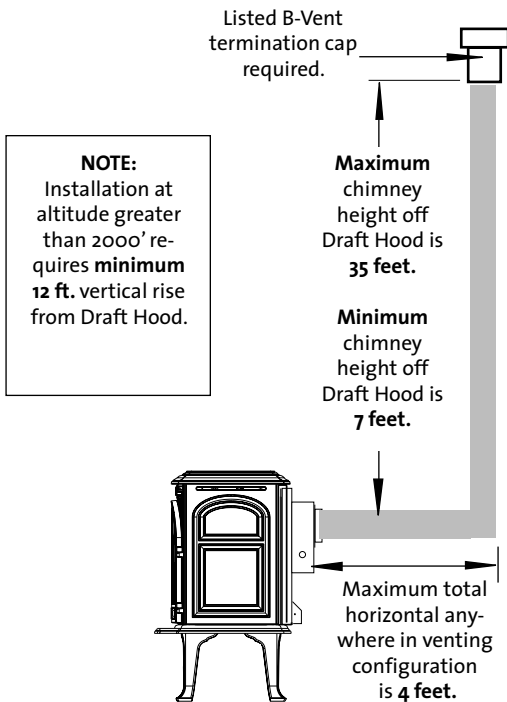


Figure 9.

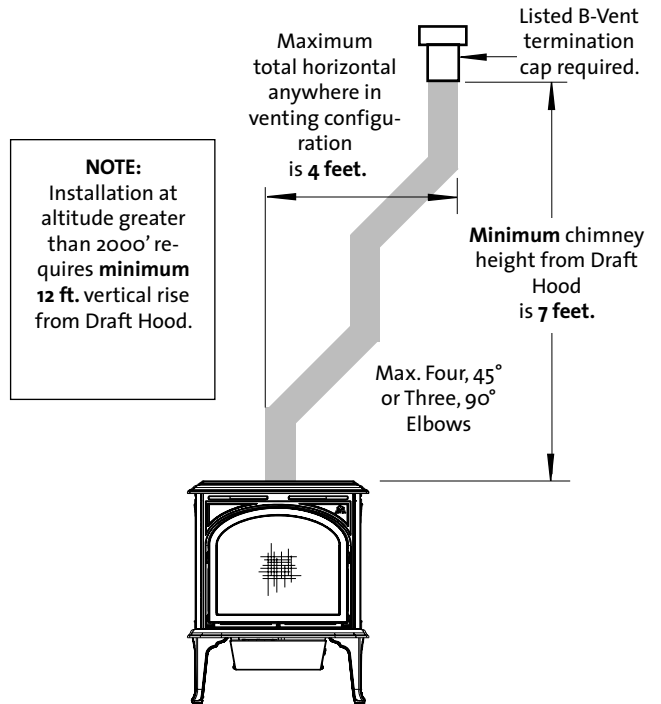


Figure 10.

Fuel Conversion

The GF 300 BV gas stove is shipped from the factory equipped to burn NATURAL GAS only. If PROPANE gas is to be used as fuel, the appliance must first be converted for use with propane. Use Propane Conversion Kit 155592, supplied with the appliance.

Order and install NG Conversion Kit 155593 to change back to use with natural gas.

WARNING:

THE CONVERSION KIT IS TO BE INSTALLED BY AN AUTHORIZED JØTUL SERVICE TECHNICIAN IN ACCORDANCE WITH THE MANUFACTURER'S INSTRUCTION AND ALL CODES AND REQUIREMENTS OF THE AUTHORITY HAVING JURISDICTION. FAILURE TO FOLLOW THESE INSTRUCTIONS COULD RESULT IN SERIOUS INJURY OR PROPERTY DAMAGE. THE QUALIFIED AGENCY PERFORMING THIS WORK ASSUMES RESPONSIBILITY FOR THIS CONVERSION.

IN CANADA:

THE CONVERSION SHALL BE CARRIED OUT IN ACCORDANCE WITH THE REQUIREMENTS OF THE PROVINCIAL AUTHORITIES HAVING JURISDICTION AND IN ACCORDANCE WITH THE REQUIREMENTS OF THE CAN1-B149.1 AND .2 INSTALLATION CODE.

AVERTISSEMENT:

CET EQUIPEMENT DE CONVERSION SERA INSTALLÉ PAR UNE AGENCE QUALIFIÉE DE SERVICE CONFORMEMENT AUX INSTRUCTIONS DU FABRICANT ET TOUTES EXIGENCES ET CODES APPLICABLES DE L'AUTORISÉ AVOIR LA JURIDICTION. SI L'INFORMATION DANS CETTE INSTRUCTION N'EST PAS SUIVIE EXACTEMENT, UN FEU, EXPLOSION OU PRODUCTION DE PROXYDE DE CARBONE PEUT RESULTER LE DOMMAGES CAUSER DE PROPRIÉTÉ, PERTE OU BLESSURE PERSONNELLE DE VIE. L'AGENCE QUALIFIÉE DE SERVICE EST ESPONSABLE DE L'INSTALLATION PROPRE DE CET EQUIPEMENT. L'INSTALLATION N'EST PAS PROPRE ET COMPLETE JUSQU'À L'OPERATION DE L'APPAREIL CONVERTI EST CHEQUE SUIVANT LES CRITERES ETABLIS DANS LES INSTRUCTIONS DE PROPRIETAIRE PROVISIONNEES AVEC L'EQUIPEMENT.

Tools required:

- 1/2" open ended wrench or deep-well socket, Torx T20 or slotted screwdriver, 4 mm allen wrench.

Conversion Kit Contents:

- 1, regulator tower labeled for propane
- 3, regulator tower screws
- 1, burner orifice (#39 for NG, #53 for LPG)
- 1, pilot orifice (#51 for NG, #30 for LPG)
- Label A - to be completed and applied to the back of the stove
- Label B - apply to the stove's Rating Plate
- Small valve label - apply to valve body

Conversion instructions are also shipped in the stove with the conversion kit.

Fuel Conversion Procedure

1. Turn off gas supply to stove.
2. Remove the stove Top Plate.
3. Disengage the two Glass Frame Latches at the top of the firebox. See fig. 39, page 22. Carefully lift the glass panel up and out of the stove.
4. If installed, remove the Embers and Log Set using care not to damage the fragile log parts.
5. Lift out the Burner Skirt shown in fig.11.
6. Reach under the stove and remove the Air Shutter wingnut from its stud. As you face the right side, it is the one closest to you. See fig. 12.

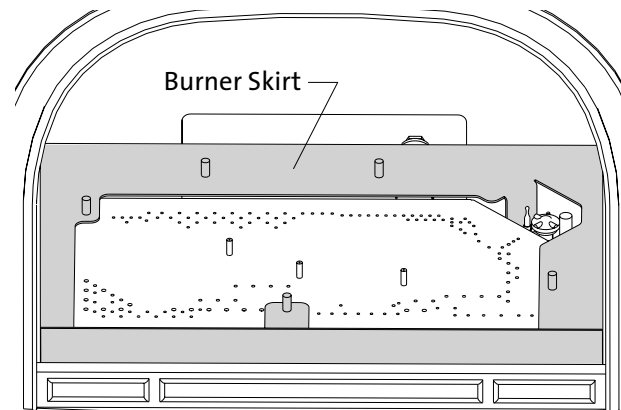


Figure 11. Lift and remove the Burner Skirt from within the firebox.

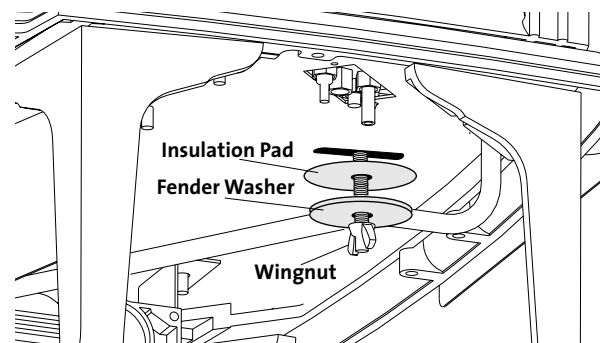


Figure 12. Locate and remove the Air Shutter wingnut from under the right side of the stove.

7. Lift out the Burner Plate: NOTE: There are no screws securing the Burner to the floor of the firebox. Pull the Air Shutter forward and lift the burner together with shutter up and out of the stove as a unit. See fig. 13.
8. Change the Burner Orifice. See fig. 14. Using a 1/2" open ended wrench or deep-well socket, remove the burner orifice from its brass elbow housing and replace with the appropriate orifice supplied in the kit.
9. Replace the Air Shutter with its gasket and push it all the way back to allow replacement of the Burner Plate. Reattach the wingnut to the shutter stem under the stove, but do not tighten. You will set its final position later.
10. Replace the Burner Plate. Engage the burner tube with the Air Shutter assembly as in fig. 13. Be sure the burner is securely engaged with the two support brackets at the front of the firebox and push the plate back toward the rear of the firebox. When correctly positioned, there will be 1/2" (13 mm) clearance between the burner plate and the front of the firebox. See fig. 15.
11. CHANGE THE PILOT ORIFICE: From within the firebox, remove the Pilot Head by pulling it straight up from the pilot base. See fig. 16. Using the 4 mm hex key included with the kit, unscrew the pilot orifice (counterclockwise). Replace with the appropriate orifice:
12. Tighten orifice into the base of the pilot assembly. To prevent bypass leaks, be sure the orifice is secured tightly and flush with the base. Replace pilot head by pushing it down onto the pilot base.
13. Remove the Variable Regulator. Using a Torx T-20 screwdriver, remove the three screws from the front of the valve regulator. See fig. 17.
14. Remove the Regulator Tower, Gasket, white plastic disk, and Spring. Remove the black rubber gasket from the valve. See fig. 17.

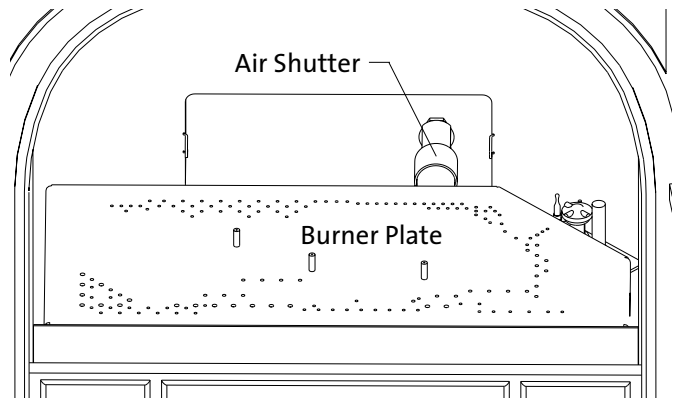


Figure 13. Remove the Air Shutter and Burner as a unit.

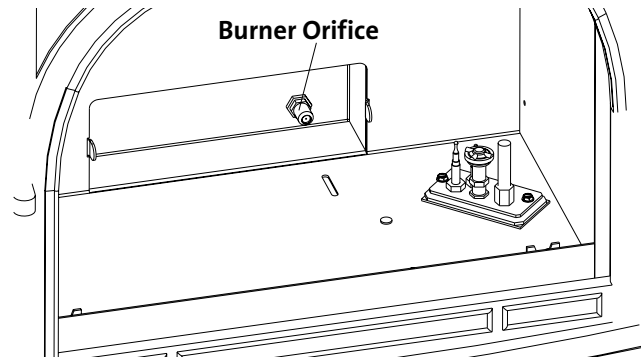


Figure 14. Change the Burner Orifice.

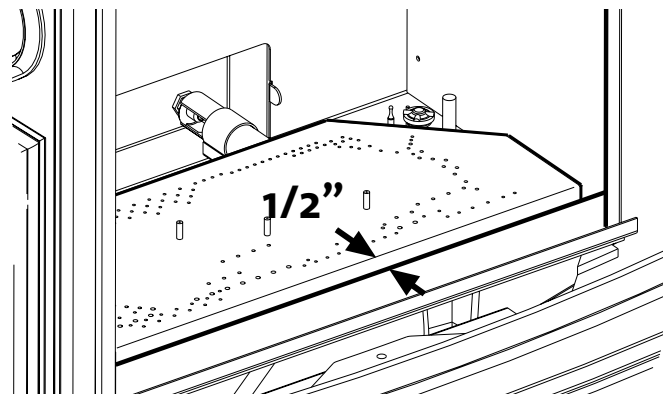


Figure 15. Correct Burner Position - maintain 1/2 inch clearance between burner and firebox front.

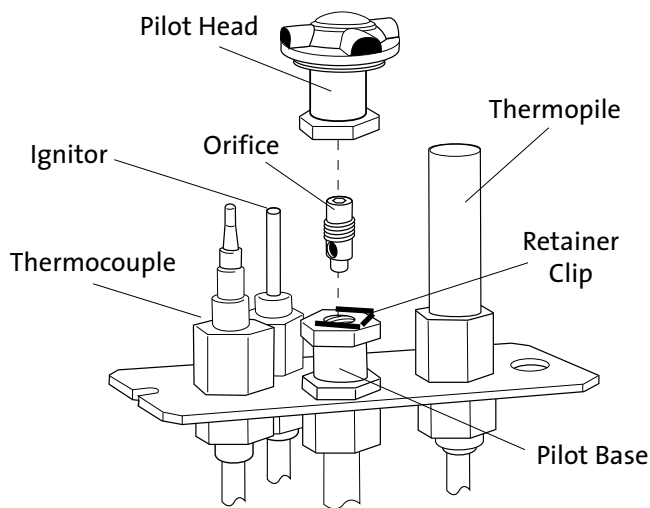


Figure 16. Pilot orifice removal and replacement.

15. Install the new regulator: Be sure the new gasket is properly positioned and tighten screws securely.
16. Install the identification labels to the stove so that they can be seen by any person that may be servicing the stove.
Label A: apply to back of stove.
Label B: apply to stove's rating plate.
Small conversion label: apply to valve.
17. Reassemble the stove, apply gas to the system and check for leaks using a soapy water solution or gas detector.
NEVER USE AN OPEN FLAME TO CHECK FOR GAS LEAKS.
18. Correct gas pressure is essential for efficient and safe operation of this appliance. Use a manometer to check pressures as specified in the Gas Pressure section of this manual (page 14).
19. Adjust the Air Shutter. You will need to position the shutter to provide a gas/air mixture that will achieve the best flame picture with your particular installation. Start with the shutter stem at the half-way position in the slot in the bottom of the stove. See fig. 12. Pushing the stem back will restrict air, while pushing it forward will open the shutter and increase air. With some experimentation, you will find the shutter position that works best for your installation.

ALWAYS REFER TO THE LIGHTING INSTRUCTIONS ON THE INSIDE BACK COVER OF THIS MANUAL WHEN LIGHTING YOUR STOVE.

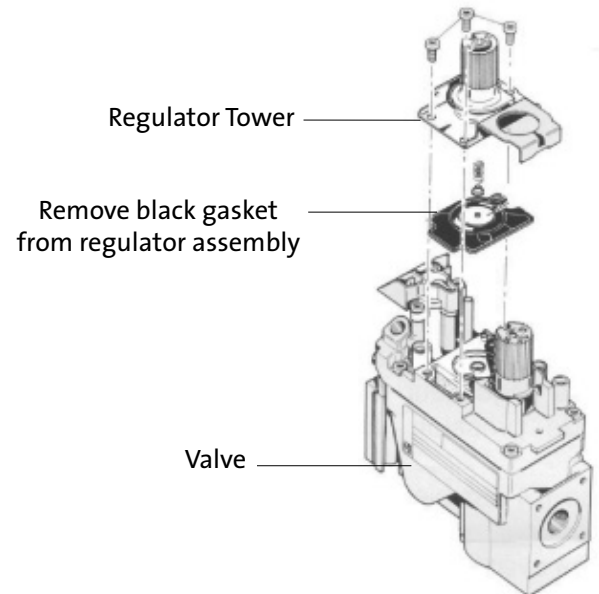


Figure 17 Regulator disassembly.

Gas Supply Connection

BLOWER NOTE: Install the optional blower before connecting the gas line in order to ensure adequate clearance between both.

The gas supply line connection is made to the left side of the front-mounted valve. The gas supply line should be 3/8" npt with a 1/2" diameter supply, or the appropriate size to provide sufficient gas pressure to the valve regardless of the input setting.

The use of Flexible Gas Appliance Connectors is acceptable in many areas in the U.S. However, Canadian methods vary depending on local code.

ALL INSTALLATIONS MUST COMPLY WITH LOCAL CODE OR IN THE ABSENCE OF LOCAL CODE, MUST COMPLY WITH THE MOST RECENT EDITION OF THE NATIONAL FUEL GAS CODE ANSI Z223.1/NFPA 54 OR CAN-B149.

All codes require a gas shut-off valve (gas cock) and union, to be installed in the supply line, and in the same room as the appliance. This allows for the disconnection of the stove for servicing and maintenance. See fig. 18.

A T-HANDLE GAS COCK IS REQUIRED IN MASSACHUSETTS TO COMPLY WITH CODE 248CMR.

Secure all joints tightly using appropriate tools and sealing compounds. For propane units be sure to use compounds that are propane resistant. Turn on gas supply and test for gas leaks using a soapy water solution or gas detector. **Never use an open flame to check for leaks.**

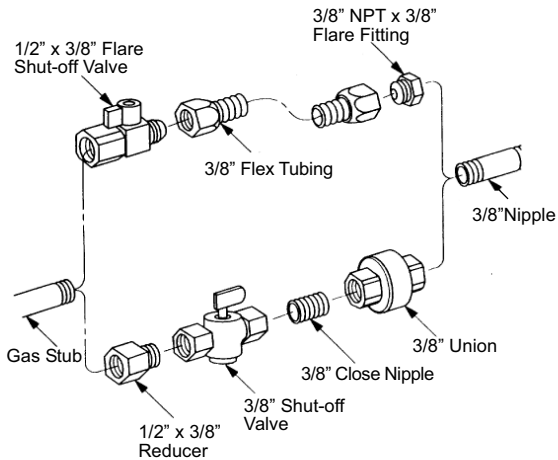


Figure 18. Supply valve connection fittings.

Leak test:

1. Mix a 50-50 solution of water and dish soap.
2. Light appliance- see lighting instructions on the inside back cover of this manual or on the stove's rating plate.
3. Brush or spray all joints and connections with the soapy water solution.
4. If bubbles appear at any connection or seam or a gas odor is detected, immediately turn gas control knob to the OFF position.
5. Tighten or reconnect the leaking joint and retest for any gas leaks.

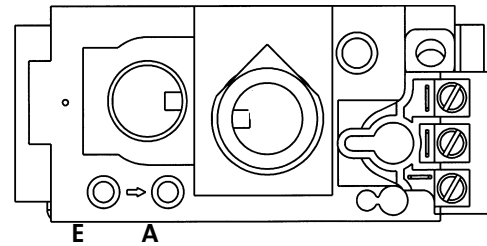


Figure 19. Pressure test points.

**INLET GAS PRESSURES
(inches water column)**

	MIN	MAX
NATURAL GAS	5.0	7.0
PROPANE	12.0	14.9

The appliance and its appliance main gas valve must be disconnected from the gas supply piping system during any pressure testing on that system at test pressures in excess of 1/2 psig (3.5 kPa).

The appliance must be isolated from the gas supply line by closing its individual manual gas shut-off valve (gas cock) during any pressure testing of the gas supply piping system that is equal to or less than pressures of 1/2 psig (3.5 kPa).

**MANIFOLD PRESSURES
(inches water column)**

	MIN	MAX
NATURAL GAS	1.2	3.8
PROPANE	2.9	11.0

Gas Pressure

Correct gas pressure is essential for efficient and safe operation of the GF 300 BV gas stove. It is important that the correct pressure is established at the time of the installation. Proper gas pressure provides a consistent flow of gas to the appliance and is instrumental in checking for gas leaks.

Pressure Test: Attach a manometer to the appropriate test point on the valve. See fig. 19. The gauge connections are located on the front of the valve under the On/Off/Pilot- knob. Gauge connections are identified by:

E - for Inlet or Supply Pressure (the amount of gas coming to the valve.)

A - for Manifold Pressure (the amount of gas that is coming out of the valve to the burner.)

ALWAYS TEST PRESSURES WITH VALVE CONTROL KNOB SET ON HIGH.

Log Set Installation

Brick Kit Note: Install the optional **Antique Brick Kit 155648** before installing the logset. See page 22 and the instructions provided with that kit.

The GF 300 BV logset must be installed before operating the burner. The logset includes four log pieces, packaged inside the firebox, and a quantity of ember stones packaged in the Miscellaneous Parts bag. To install the log set, remove the packaging and place the parts inside the firebox as illustrated in figures 20-24. **Do not handle the log set with your bare hands. Always wear gloves to prevent skin irritation from the ceramic fibers.**

IMPORTANT

The ember stones realistically simulate glowing coals when the burner is operating. These should be spread evenly over the burner plate and around the logs.

TO INSURE PROPER BURNER FUNCTION, DO NOT OBSTRUCT THE PILOT ASSEMBLY AND BURNER SKIRT OPENINGS WITH EMBER STONES. KEEP EMBERS OFF OF THE PILOT CARRY-OVER PORTS. SEE FIG. 24.

You do not need to use all of the ember stones. With some experimentation, you will find the arrangement and quantity of embers that works best with your stove. Depending upon the characteristics of your installation, it is possible that too many ember stones can promote sooting on the logs. Adjust the quantity of ember stones as appropriate to maintain the best overall flame picture and burner performance.

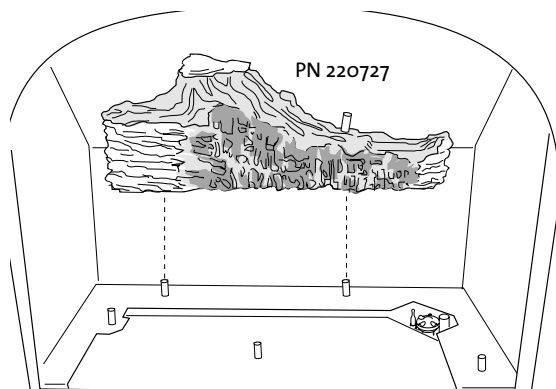


Figure 20. Engage the holes in the underside of the Rear Log with the two pegs in the burner skirt.

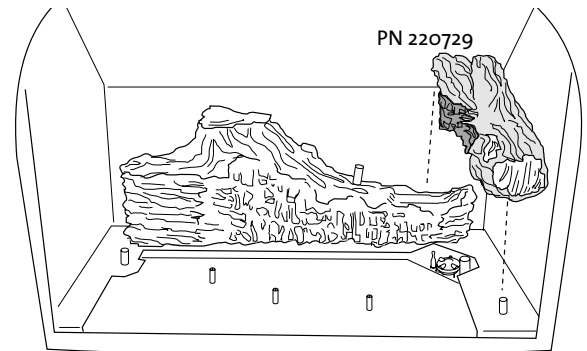


Figure 21. Install Right Log

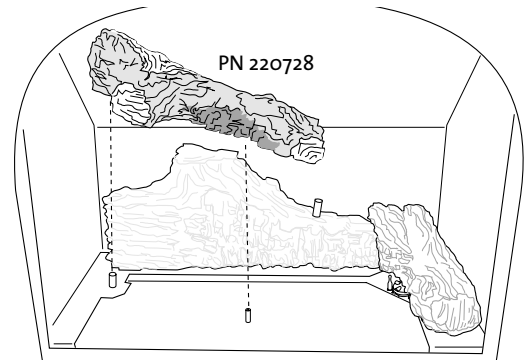


Figure 22. Install Left Log

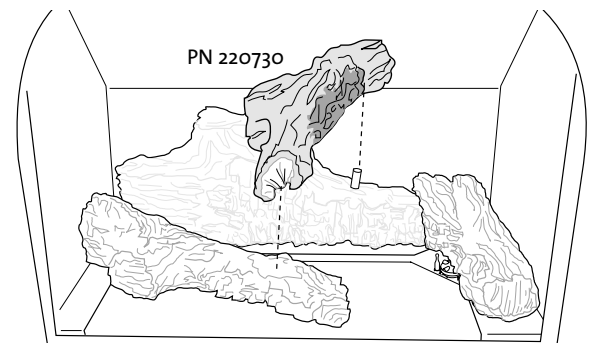


Figure 23. Install Middle Log

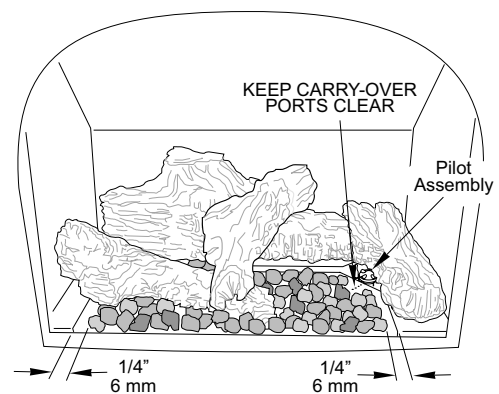


Figure 24. Position embers loosely and maintain 1/4" clearance from the burner skirt edges.

Flame Appearance / Air Shutter Adjustment

The GF 300 BV gas stove is shipped from the factory equipped to burn Natural gas. If the stove has been converted for use with propane, the Air Shutter may require adjustment to achieve the desired flame appearance. Other installation related variables can also affect the flame picture. The Air Shutter may be opened or closed to provide the best flame picture for your specific installation.

Too large an air opening - the appliance will generate a flame that is blue and transparent, or an “anemic” flame.

Too small an air setting - the appliance will generate very long yellow flames resulting in soot. Sooting produces black deposits on the logs, on the inside walls of the appliance, and potentially on the exterior termination cap. Sooting is caused by incomplete combustion in the flames and lack of combustion air entering the air shutter opening.

To adjust the air shutter:

1. Reach under the right side of the stove and loosen the wingnut located closest to you. See fig. 25. Slide the wingnut stud forward to open the air shutter and back to provide less air. Make adjustments in small increments.
2. Tighten the wingnut to secure the shutter at the desired setting.
3. Allow the stove to burn for 30 minutes on the HIGH setting, observing the flame continuously. If the flame appears weak, slow, or sooty, repeat the process described above until the flame is as desired.

WARNING: AIR SHUTTER ADJUSTMENTS SHOULD ONLY BE PERFORMED BY A QUALIFIED PROFESSIONAL SERVICE TECHNICIAN.

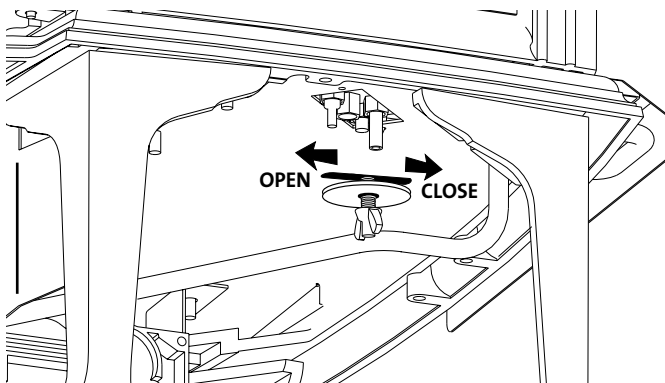


Figure 25. Loosen the wingnut to adjust the air shutter.

Optional Wall Thermostat or Remote Control

Use only a 750 millivolt DC two-wire circuit thermostat with this appliance. The thermostat should be placed in the same room as the heater, typically 5 feet off the floor. Avoid drafty areas or any area that may affect the accuracy of the thermostat.

The thermostat should be connected to the GF 300 BV using a minimum of 16 gauge wire with a maximum length of 25 feet of wire.

Connect the two thermostat wire leads to the two lower terminals on the terminal block located directly above the ignitor button. Do not overtighten the connections. IT IS NOT NECESSARY TO DISCONNECT ANY OTHER WIRES. See Fig. 26.

For thermostatic operation, the On/Off/T-Stat switch on the back of the stove must be in the T-stat position, and the pilot light must be running, as it is the power source for the thermostat.

At the thermostat, the two wires should be connected to the two connection screws on the thermostat base plate per the manufacturer's instructions.

Remote Control

When using a remote, the remote receiver should be wired to the terminal block the same way the thermostat would be. See the instructions above.

Follow the operating instructions included with the Remote Control unit.

CAUTION:

LABEL ALL WIRES PRIOR TO DISCONNECTION WHEN SERVICING THE CONTROLS. WIRING ERRORS CAN CAUSE IMPROPER OR DANGEROUS OPERATION. ALWAYS VERIFY PROPER OPERATION AFTER SERVICING THE APPLIANCE.

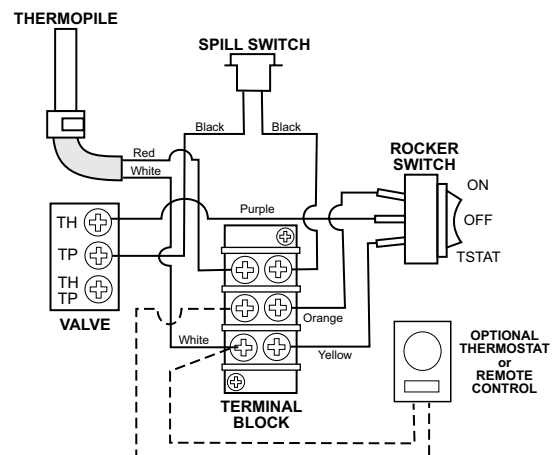


Figure 26. Valve and Accessory wiring diagram.

Installing Decorative Pipe

The use of decorative pipe is optional. No decorative pipe is included with the Jøtul GF 300 BV Allagash, however, four locator brackets are included with the stove in the hardware bag. The brackets are used to center the decorative pipe over the draft hood on which the pipe rests. Follow the procedure below to attach the brackets to the stove.

1. Remove the four 1/4" hex head screws that attach the 4" Flue Collar to the draft hood, but do not remove the Flue Collar. See Figure 27.
2. Align the "L"-shaped pipe brackets with the holes on the Flue Collar and attach using the four 1/4" hex head screws, located in the Misc. Hardware Bag.

Reminder: Do not use single wall stove pipe as the vent pipe on this appliance.

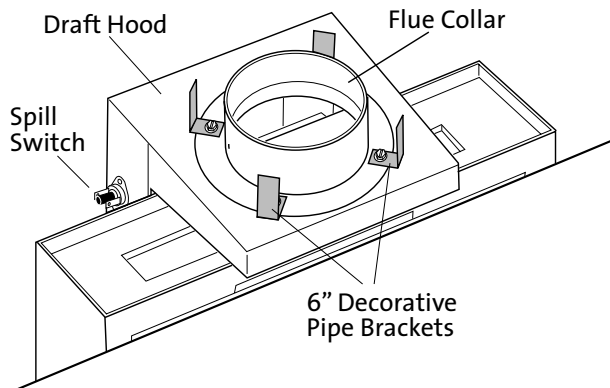


Figure 27. Decorative pipe attachment.

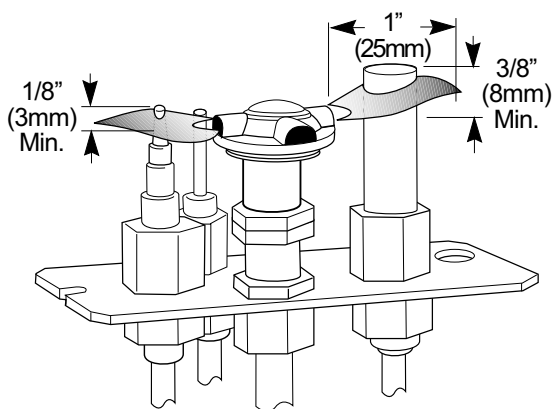


Figure 28. Proper pilot flame appearance.

System Check

1. **PURGING THE GAS LINE:** When lighting the appliance for the first time, it will take a few moments to clear the gas line of air. Once this purge is complete, the appliance will operate as described in the lighting instructions. See the inside back cover of this manual or the stove Rating Plate attached to the rear shroud. Subsequent burner starts will not require purging the gas line unless the supply line is shut off.
2. **PILOT FLAME:** See figs. 28 and 28a. You can monitor the pilot flame through the view port located at the rear under the Right Log. The pilot flame should be steady - not lifting or floating. The flame should be blue in color around the pilot hood, with traces of yellow toward the outer edges.

The pilot flame should engulf the top 3/8" of the thermopile (to generate millivolt current) and the top 1/8" of the thermocouple. The pilot flame should project out of the pilot hood 1" at all three ports and align with the burner carry-over ports as shown in fig. 28a.

3. **BURNER ADJUSTMENT:** This stove is equipped with a variable gas regulator in the valve that allows easy adjustment of the flame height appearance and heat output. To adjust the flame between the HI and LOW setting, rotate the HI/LOW knob, located in the center of the valve face. Fire intensity can be adjusted up to 50% between the LOW and HIGH settings. See fig. 29. **NO SMOKE OR SOOT SHOULD BE PRESENT. CHECK LOG PLACEMENT IF ANY SOOT OR SMOKE IS PRESENT. IF SOOT OR SMOKE PERSISTS, THE AIR SHUTTER MAY NEED TO BE ADJUSTED.**

See Flame Appearance/Air Shutter section of this manual for proper air shutter settings and adjustments. Note: the more offsets there are in the vent system, the greater the need for an air shutter adjustment. See page 16.

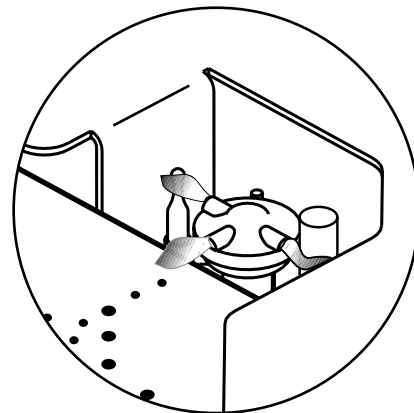


Figure 28a. Proper pilot flame / carry-over port alignment.

WARNING:
AIR SHUTTER ADJUSTMENTS SHOULD ONLY BE PERFORMED BY A QUALIFIED PROFESSIONAL SERVICE TECHNICIAN.

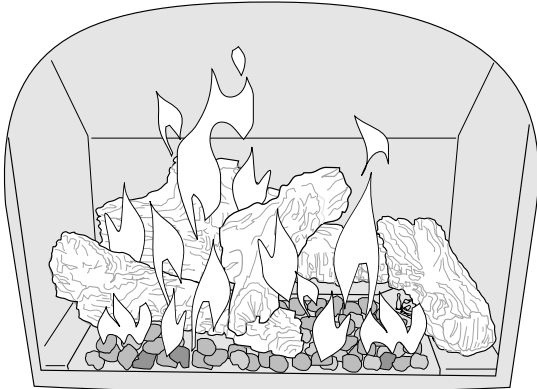


Figure 29. Flame appearance on the “high” setting after approximately 15 to 20 minutes burning.

CAUTION:
DO NOT ATTEMPT TO ALTER THE FLAME APPEARANCE BY POSITIONING THE GAS VALVE CONTROL IN ANY POSITION OTHER THAN THE FULL “ON” POSITION.

Operation

Familiarize yourself with the controls of the GF 300 BV. Make sure that anyone else using the appliance is also familiar with the controls and operation procedures. Always follow the Lighting Instructions on the inside back cover of this manual and also located on the Rating Plate attached to the rear shroud of the stove.

- Once the pilot is lit, burner operation is controlled by the rocker switch located at the left corner of the rear shroud. See fig. 30.
ON / OFF - use for manual control of the burner.
T-STAT - use for optional thermostatic or remote control operation. The burner will be controlled by those accessories.
- During the first few fires, you may notice odor and/or smoke from the stove. This is normal and results from burn-off of manufacturing residue and curing of materials. You may find it helpful to provide additional ventilation and fresh air to alleviate this condition.
- Condensation may occur on the glass upon each lighting of the appliance. This “fog” will disappear as the appliance heats up.
- Keep the controls and the area under the appliance free of debris, vacuum this area frequently. Always keep the appliance area clear and free from combustible materials, gasoline and other flammable liquids.

If a vacuum is used during any service on the stove, ALWAYS be sure the stove is cold and there are NO hot embers.

- This appliance has a continuous burning pilot flame. Exercise caution when using products having combustible vapors. Always shut-off gas supply while servicing the stove.
- CAUTION: DO NOT OPERATE THIS APPLIANCE WITH THE GLASS REMOVED CRACKED OR BROKEN.**
Replacement of the glass should be done by a licensed or qualified service person. Use only replacement glass provided by your authorized Jøtul dealer. Never use any substitute materials.
WARNING: OBSERVE CAUTION WITH THE GLASS. THE GLASS PANEL MAY SHATTER UNEXPECTEDLY IF STRUCK WITH AN OBJECT. ALWAYS HANDLE THE GLASS PANEL WITH CARE. WHEN SERVICING THE STOVE ALWAYS PULL THE GLASS ASSEMBLY STRAIGHT UP FOR REMOVAL.
- Clean the glass only when necessary. Wipe surface with a clean, damp soft cloth. Follow with a dry, soft towel as desired. Take care not to scratch the glass surface.
WARNING: DO NOT USE ABRASIVE CLEANERS ON THE GLASS. NEVER CLEAN THE GLASS WHEN IT IS HOT.

BLOCKED FLUE SWITCH

NOTE: This appliance is equipped with a Spill Switch which will disable the burner in the event that the vent system becomes blocked or draft is reversed or too low which could result in toxic CO emissions. Located on the side of the Draft Hood, at the back of the stove, the switch has a reset button that, when pressed, will re-enable burner function. See Fig. 27.

If the Spill Switch repeatedly shuts the burner off, turn off the gas supply and call your dealer or service technician. The Spill Switch will continue to shut off the burner until the vent problem has been corrected. Not all vent problems can be corrected as B-Vent appliances are affected by atmospheric conditions and house pressurization.

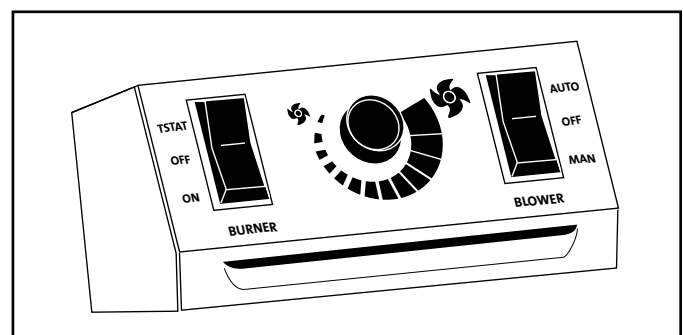


Figure 30. Burner Switch and Optional Blower Controls

Maintenance

Your Jøtul GF 300 BV Allagash and its venting system should be inspected before use and at least annually by a qualified service technician.

Use the form on page 3 to keep a fuel conversion and maintenance history of your stove.

IMPORTANT:

ALWAYS TURN OFF THE GAS SUPPLY TO THE GAS STOVE AND UNPLUG THE FORCED AIR BLOWER BEFORE ANY SERVICE WORK IS PERFORMED ON THE APPLIANCE.

Annual Cleaning

Vent System

The entire vent system, including the chimney, should be inspected and cleaned every year. If the intake and exhaust venting is disassembled for any reason, it should be reassembled and sealed according to the manufacturer's instructions provided at the initial installation.

Firebox Components

Periodically inspect the Firebox, Valve Compartment, Convection Airways and optional Blower to BE CERTAIN THAT THE FLOW OF COMBUSTION AND VENTILATION AIR IS UNOBSTRUCTED.

- The firebox should be vacuumed annually to remove any surface build up. Use a soft brush attachment and handle the logs carefully as they are fragile.
- **Inspect the pilot head, thermopile and thermocouple for signs of rust or deterioration and replace any components that do.** Check that the pilot head is properly engaged with the throat and is oriented correctly. See fig. 28, page 17.
- Inspect the burner and confirm that all the ports are unobstructed, particularly at the pilot area. Vacuum the burner plate if necessary.

Glass Care

Clean the glass only when necessary. Wipe the surface with a clean, dampened, soft cloth. Follow with a dry, soft towel. Take care not to scratch the glass surface.

WARNING:

DO NOT USE ABRASIVE CLEANERS ON THE GLASS. NEVER CLEAN THE GLASS WHEN IT IS HOT.

Gasket Inspection

It is important that the glass gasket be inspected at least annually. Examine the ribbon gasket for signs of deterioration and make sure the gasket has a positive seal. Replace the gasket if necessary. Refer to the replacement parts list on page 25.

FOR REPLACEMENT, USE ONLY JØTUL CERAMIC GLASS REPLACEMENT KIT 155599. DO NOT USE ANY OTHER TYPE OF GLASS WITH THIS APPLIANCE.

Glass Panel and/or Gasket Removal

1. Lift the Top Plate off of the stove.
2. Release the two Glass Frame Latches. Pull each latch handle forward to disengage the latch from the notches in the glass frame.
3. Lift the glass frame all the way up and out of the top of the stove. Lay this assembly on a flat surface, protecting the frame from scratches using a blanket or towel.
4. The glass panel is held in place by two steel tabs. Use a screwdriver or small pliers to pry these up off the edge of the glass retaining walls. See fig. 31.
5. Remove the old gasket material. See fig. 32. Glass Panel or Gasket Replacement

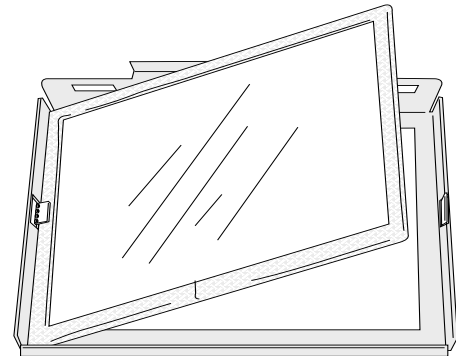


Figure 31. Use small pliers to pry up the two retainer tabs.

Glass Panel and/or Gasket Replacement

1. Wrap the new gasketing material evenly around the edge of the glass, peeling back the protective strip to expose the adhesive as you go. See fig. 32. Press the adhesive side down onto the glass surface. Do not stretch the gasket.
2. Place the gasketed glass within the frame and press each of the retainer tabs back into place to secure the panel within the frame.

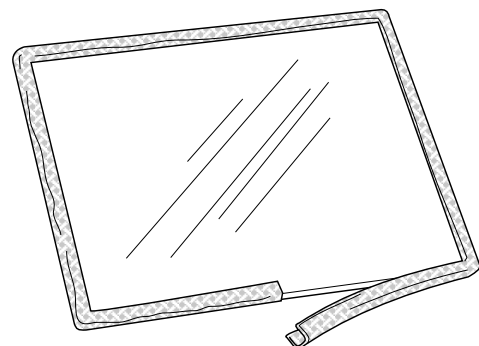


Figure 32. Wrap the gasket around the glass panel.

Optional Blower # 155620

CONNECT THE GAS SUPPLY TO THE STOVE BEFORE INSTALLING THIS BLOWER. IF NECESSARY, USE A 90° ELBOW OFF THE GAS VALVE TO CREATE ADEQUATE GAS LINE CLEARANCE.

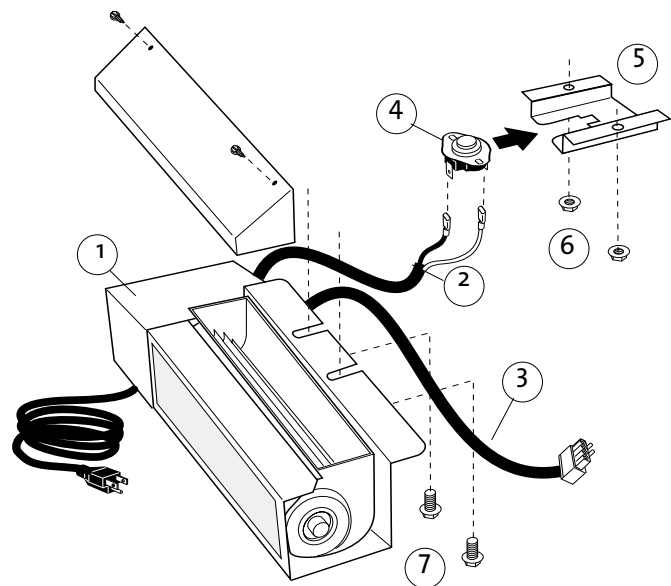
BE SURE ALL WIRE CONNECTIONS HAVE BEEN MADE BEFORE CONNECTING TO POWER SUPPLY.

1. **Unpack and check the contents** of the blower kit. Contact your dealer if any damage is evident or parts are missing. See fig. 33.
2. **Attach the Snapstat Bracket** to the studs located underneath the stove in the middle of the firebox floor using the two M6 hex nuts and a 10 mm wrench. See fig. 34.
3. **Attach the Blower** to the stove with the screen opening to the rear using the two M6 flange head hex bolts as shown in fig. 35.
4. **Attach either Snapstat wire connector** to either Snapstat terminal. See fig. 35.
5. **Install the Snapstat** by sliding it all the way into the slot in the Snapstat Bracket as shown in fig. 34.
6. **Connect the female Control Switch** quick-connector to the male control switch wire harness already installed in the stove. See fig. 35.
7. **Connect power cord** to the nearest outlet.

■ **THIS BLOWER MUST BE ELECTRICALLY GROUNDED IN ACCORDANCE WITH LOCAL CODES OR, IN THE ABSENCE OF LOCAL CODES, WITH THE CURRENT ANSI/NFPA 70, NATIONAL ELECTRICAL CODE OR CSA C22.1-CANADIAN ELECTRICAL CODE.**

■ **THIS UNIT IS SUPPLIED WITH A THREE-PRONG (GROUNDING) PLUG FOR PROTECTION AGAINST SHOCK HAZARD AND SHOULD BE PLUGGED DIRECTLY INTO A PROPERLY GROUNDED THREE-PRONG RECEPTACLE. DO NOT CUT OR REMOVE THE GROUNDING PRONG FROM THE PLUG.**

■ **ALWAYS DISCONNECT THE POWER SUPPLY WHEN PERFORMING ANY SERVICE ON THE APPLIANCE.**



Contents

1. Blower
2. Snapstat Wire Harness
3. Control Switch Wire Harness
4. Snapstat
5. Snapstat Bracket
6. M6 Flange Nuts, (2)
7. M6 x 12 Hex Bolts, (2)

Tools Required

- 10 mm wrench

Figure 33. Blower Kit Components

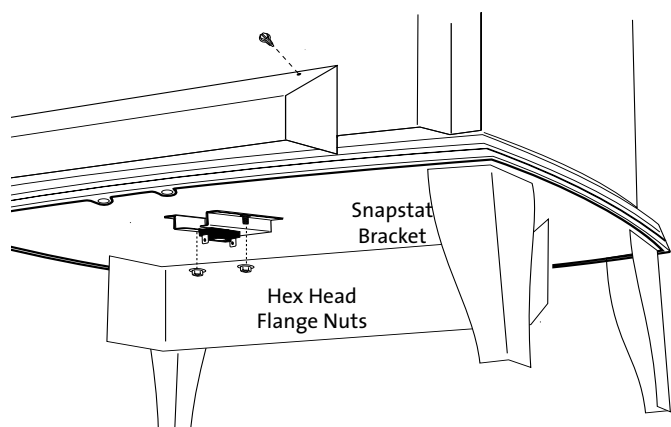
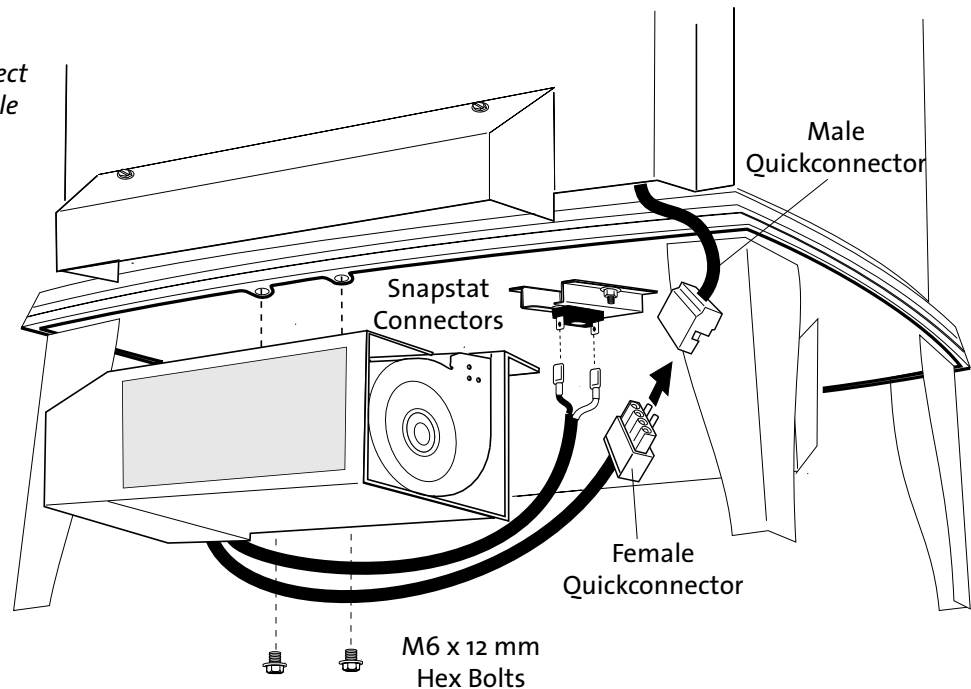


Figure 34. Attach Snapstat Bracket.

Figure 35. Attach Blower to the stove bottom and connect wires to Snapstat and female control quick connect.



Blower Operation

The optional variable-speed blower will enhance heat circulation around the firebox and out into the room. The blower is controlled by a heat activated switch (snapstat) that will ONLY function when the control switch is in AUTO setting. After the fire has been burning for a time, the snapstat will react to the heat and activate the blower. Fan speed may be manually adjusted with the rheostat knob. If the burner turns off, the blower will be shut off automatically when the stove cools down.

If automatic blower circulation is not desired, place the blower control switch in the MANUAL position.

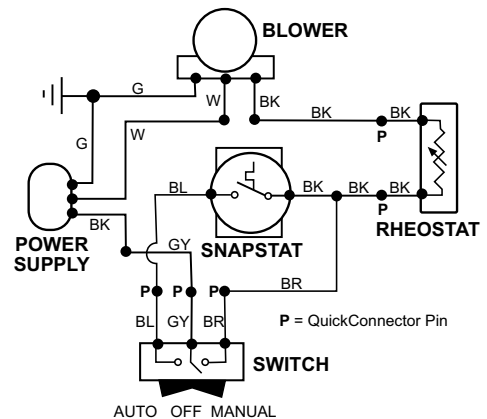


Figure 37. Blower Wiring Diagram

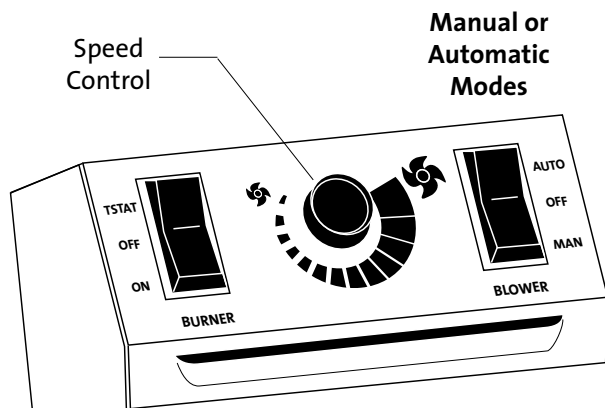


Figure 36. Blower Controls

CAUTION:

LABEL ALL WIRES PRIOR TO DISCONNECTION WHEN SERVICING CONTROLS. WIRING ERRORS CAN CAUSE IMPROPER AND DANGEROUS OPERATION. VERIFY OPERATION AFTER SERVICING.

ATTENTION:

Au moment de l'entretien des commandes, étiquetez tous le fils avant le débranchement. es erreurs de ceblage peuvent entra tun fonctionnement inadquat et dangereux.

Optional Antique Brick Kit # 155648

CAUTION!
THE BRICK PANELS AND LOG PARTS ARE
EXTREMELY FRAGILE. HANDLE WITH CARE.

Read these instructions before beginning the installation.

- 1. Remove the Top Plate.** Simply lift it up off of the stove body. It is not fastened.
- 2. Remove the Glass Frame.** Disengage the two compression latches located at the top of the firebox and lift the glass frame up and off of the stove. See fig. 39.
- 3. If installed, remove the Logset.** These parts are not fastened. Simply lift them out of the firebox. You do not have to remove the embers.
- 4. Install the Lower Rear Panel.** Position it up against the back wall, resting on the burner skirt. Fig. 40.
- 5. Install a Side Panel.** Tilt the panel, bottom edge first, into position against the side wall. The panel will stand on its own against the wall, fitting snugly between the rear panel and the front wall of the firebox. Fig. 41.
- 6. Install the Upper Rear Panel.** Simply rest it on the other two panels. Fig. 42.
- 7. Install the other Side Panel.**
- 8. Reinstall the Logset.** Refer to the Owner's Manual if necessary. BE CERTAIN THAT NO EMBER STONES ARE BLOCKING THE PILOT ASSEMBLY OPENING. Refer to fig. 24.
- 9. Replace the Glass Frame.** Slide the frame down the slot in the front of the firebox. Be sure to push the frame into the slot in the bottom to ensure it is fully seated. The gasket at the top of the frame should be flush with the top of the firebox.

Pull the compression latches out to engage with the top lip of the glass frame.

- 10. Replace the Top Plate.**

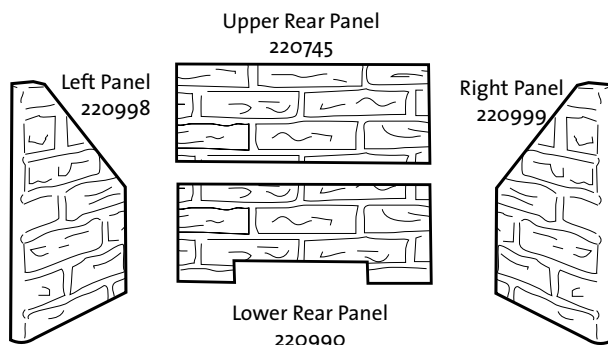


Figure 38. Brick Kit Contents

Figure 39. Disengage the compression latches to remove the glass frame.

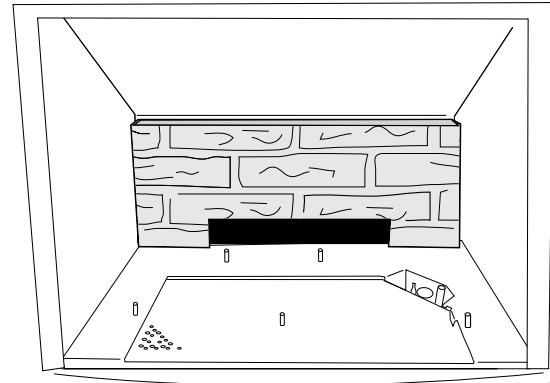
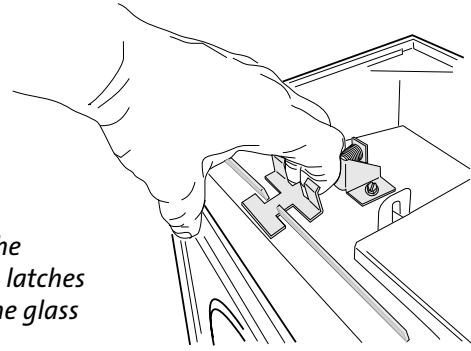


Figure 40. Install Lower Rear Panel

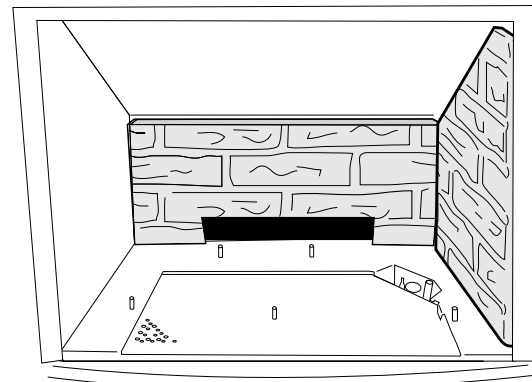


Figure 41. Install Side Panel

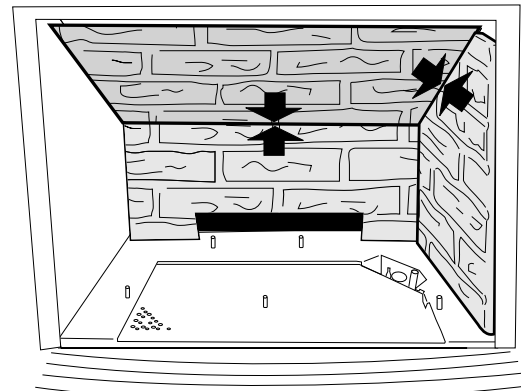


Figure 42. Install Upper Rear Panel

High Altitude Adjustment

Installations burning natural gas and located at altitudes from 2000 - 4500 ft. (610 M - 1370 M), require compensation for the thinner air (less volume of air per cubic foot). Higher altitudes affect the atmospheric pressure and heat value of gaseous fuels. The lower oxygen content in the air and the lower gas viscosity require the use of a different orifice to achieve efficient, clean combustion at the burner tube.

For high altitude installations consult the local gas distributor or the authority having jurisdiction for proper rating methods. If the installer must convert the unit to adjust for varying altitudes, use **Jøtul High Altitude Kit, #155810-NG**.

DO NOT DERATE THE BURNER FOR PROPANE.

In the U.S: THE DERATING KIT MUST BE INSTALLED BY AN AUTHORIZED SERVICE TECHNICIAN IN ACCORDANCE WITH THE MANUFACTURER'S INSTRUCTIONS AND ALL CODES AND REQUIREMENTS OF THE AUTHORITY HAVING JURISDICTION. THE INFORMATION STICKER MUST BE COMPLETED BY THE INSTALLER AND APPLIED TO THE APPLIANCE AT THE TIME OF THE CONVERSION. THE QUALIFIED SERVICE AGENCY PERFORMING THIS WORK ASSUMES RESPONSIBILITY FOR THIS DERATING.

In Canada: This unit has been tested for installation at high altitudes in accordance with Canadian test standard CAN/CGA-2.17. THE DERATING SHALL BE CARRIED OUT IN ACCORDANCE WITH THE REQUIREMENTS OF THE PROVINCIAL AUTHORITIES HAVING JURISDICTION AND IN ACCORDANCE WITH THE REQUIREMENTS OF THE CAN1-B-149.1 AND .2 INSTALLATION CODE.

WARNING

THIS CONVERSION KIT SHALL BE INSTALLED BY A QUALIFIED SERVICE AGENCY IN ACCORDANCE WITH THE MANUFACTURER'S INSTRUCTIONS AND ALL APPLICABLE CODES AND REQUIREMENTS OF THE AUTHORITY HAVING JURISDICTION. IF THE INFORMATION IN THESE INSTRUCTIONS IS NOT FOLLOWED EXACTLY, A FIRE, EXPLOSION, OR PRODUCTION OF CARBON MONOXIDE MAY RESULT, CAUSING PROPERTY DAMAGE, PERSONAL INJURY, OR LOSS OF LIFE. THE QUALIFIED SERVICE AGENCY IS RESPONSIBLE FOR PROPER INSTALLATION OF THIS KIT. THE INSTALLATION IS NOT PROPER AND COMPLETE UNTIL OPERATION OF THE CONVERTED APPLIANCE IS CHECKED AS SPECIFIED IN THE INSTRUCTION SUPPLIED WITH THE KIT.

Derating Procedure

1. Follow Steps 1-10 of the Fuel Conversion procedure outlined on pages 11 and 12.
2. Replace the original orifice with the #40 orifice in the kit.
3. Fill out the high altitude conversion label from the kit and attach to the rating plate or gas valve.
4. Reassemble the firebox components.
5. It may be necessary to adjust the air shutter on the burner tube. See AIR SHUTTER/FLAME APPEARANCE on page 16 for more details.

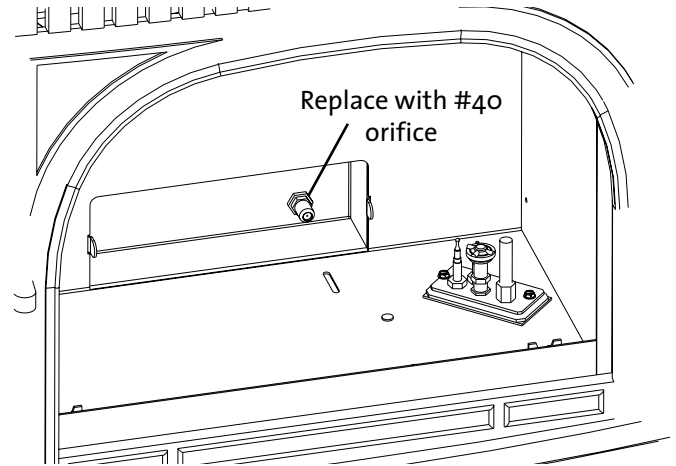


Figure 43. Change the Burner Orifice.

Mobile Home Installation

The GF 300 BV can be installed for use in a mobile home in the U.S. and Canada provided:

1. The stove is secured to the floor of the mobile home. Use Jøtul Floor Bracket Kit #750304.
2. Provision must be made to secure an electrical ground between the stove and the mobile home chassis.
3. The stove is installed in accordance with Title 24 CFR, Part 3280-Manufactured Home Construction and Safety Standard, in the U.S. In Canada, comply with CSA Z240.4, Gas Equipped Recreational Vehicles and Mobile Housing.
4. Always contact your local officials about installation restrictions and requirements in your area.

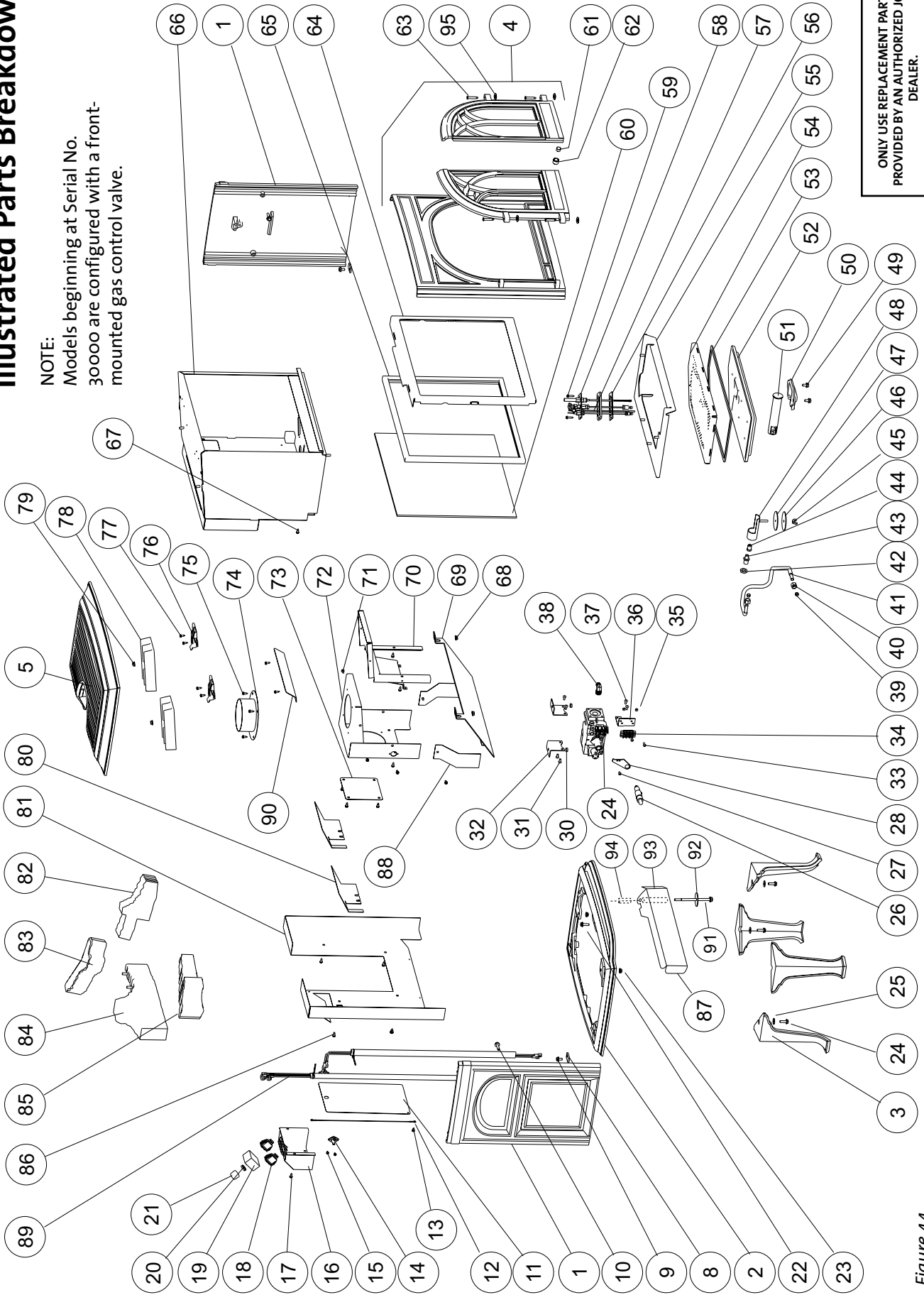
THIS APPLIANCE MAY BE INSTALLED AS AN OEM INSTALLATION IN A MANUFACTURED (MOBILE) HOME AND MUST BE INSTALLED IN ACCORDANCE WITH THE MANUFACTURER'S INSTRUCTIONS AND THE MANUFACTURED HOME CONSTRUCTION AND SAFETY STANDARD, TITLE 24 CFR, PART 3280. THIS APPLIANCE IS ONLY FOR USE WITH THE TYPE OF GAS THAT IS INDICATED ON THE STOVE'S RATING PLATE. A GAS CONVERSION KIT IS PROVIDED WITH THE GF 300 BV GAS STOVE.

THIS APPLIANCE MAY BE INSTALLED IN AN AFTERMARKET PERMANENTLY LOCATED, MANUFACTURED (MOBILE) HOME, WHERE NOT PROHIBITED BY LOCAL CODES.

CET APPAREIL PEUT ETRE INSTALLE DANS UN MAISON PREFABRIQUEE (MOBILE) DEJA INSTALLEE A DEMEURE SI LES REGLEMENTS LOCAUX LE PERMETTENT. CET APPAREIL DOIT ETRE UTILISE UNIQUEMENT AVEC LES TYPES DE GAS INDIQUES SUR LA PLAQUE SIGNALETIQUE. NE PAS L'UTILISER AVEC D'AUTRES GAS SAUF SI UN KIT DE CONVERSION CERTIFIE EST INSTALLE.

GF 300 BV Allgash Illustrated Parts Breakdown

NOTE:
Models beginning at Serial No.
30000 are configured with a front-
mounted gas control valve.



ONLY USE REPLACEMENT PARTS
PROVIDED BY AN AUTHORIZED
DEALER.

Figure 44.

GF 300 BV Allagash Parts List

Cast Iron Parts	Matte Black	Blue Black Enamel	Ivory Enamel	Brown Majolica Enamel
1. Side Plate	10463292	10463227	10463229	10463247
2. Base Plate	10390092	10390027	10390029	10390047
3. Legs, (4)	10192592	101966	102251	10192547
4. Front Asy.*	15746192	157462	157463	157464
After Serial No. 33600	15769892	157717	157718	157720
5. Top Plate	10390292	10390227	10390229	10390247

* Front Assembly includes Front Plate, doors and hinge hardware

8. Side Clip	128401	61. Door Magnet, .375" dia. x 1/4".....	224909
9. Bolt, M6 x 25 mm (Side to Base).....	118019	62. Door Magnet Cap, Hi-temp Vinyl .375" ID	224905
10. Bolt, M6 x 16 mm (Side to Front).....	99625	63. Door Hinge Pin (4) - Nickel	125960
11. Rating Plate	220912	Matte Black.....	127075
12. Lanyard, Rating Plate	129159	64. Glass Frame	22076292
13. Rivet, 1/8"	117946	65. Glass Gasket, Tadpole	129124
14. Spill Switch	220916	Replacement Glass Kit	155599
15. Screw, 7 x 1/2" phillips (2)	118015	66. Firebox, Heat Exchanger	221192
16. Switch Box	220765	67. Screw, #8 x 1/2" Blk	117917
17. Screw, #8 x 1/2" slotted hex	117917	68. Nut, M6 Flange (2)	117968
18. Rocker Switch, (2)	220703	69. Exhaust Baffle.....	220763
19. Rheostat, 26" leads	220970	70. Lower Draft Hood	220914
20. Rheostat Nut.....	220717	71. Screw, #8 x 1/2" Blk (4).....	220717
21. Rheostat Knob.....	220709	72. Upper Draft Hood	220915
22. Bolt, M6 x 20 (Front to Base).....	117117	73. Draft Hood Cover Plate	129183
23. Nut, M6 Flange.....	117968	74. Starter Collar.....	129189
24. Bolt, M6 x 20 mm (Leg to Base, 4)	117117	75. Screw, #8 1/2" Blk (4).....	117917
25. Washer, M6 Fender.....	120004	76. Glass Frame Latch	129135
26. Ignitor	3902573	77. Screw, #8 1/2" Blk (4).....	117917
27. Screw, M4 x 8 phillips	117920	78. Heat Fins, (2).....	155653
28. Ignitor Bracket.....	3902576	79. Nut, M6 Flange (2)	117968
29. Gas Valve, NG - 50% TD	222263	80. Controls Heat Shield, (2)	220918
30. Nut, M6 Flange.....	117968	81. Rear Shroud	220764
31. Screw, 10-32 x 3/8 phillips (4)	117911	82. Right Log	220729
32. Valve Bracket (2).....	220721	83. Middle Log	220730
33. Screw, M4 x 12 phillips (2).....	117921	84. Rear Log	220727
34. Terminal Block, 3 Pole.....	118028	85. Left Log	220728
35. Terminal Block Bracket	220983	86. Screw, #8 x 1/2" Blk (4).....	117917
36. Nut, M4.....	117922	87. Control Door.....	221187
37. Screw, 10-32 x 3/8" phillips (2).....	117911	88. Air Deflector, Lower Rear	220979
38. Brass Elbow, 90° 3/8" NPT.....	129129	89. Wire Harness Assembly	155604
39. Compression Sleeve (2).....	129463	90. Air Deflector, Top	220978
40. Compression Nut (2)	129464	91. Hinge Bolt, M6 x 130 mm Hex Hd	118033
41. Main Gas Flex Tube, 5/16"	129462	92. Fender Washer .250 x 1.500dia.	118029
42. Jam Nut	129152	93. Spacer, .375 o.d. x 3.172	118040
43. Orifice Holder.....	220643	94. Spacer, .375 o.d. x .172	118039
44. Burner Orifice, NG - #39	129367	95. Hinge Washers, 4 12mm OD x 6mm ID.....	117588
Burner Orifice, LP - #53	220731		
45. Wing Nut, M6	117975	Not Illustrated	
46. Washer, 2 1/4" O.D.....	118023	96. Ember Stones, 4 oz. * (included in Logset)	220702
47. Gasket, 2 1/4" O.D.	220734	97. Orifice Retainer	221367
48. Air Shutter	220791	98. Safety Barrier	157727
49. Bolt, M6 x 20 (Tube Holder to Burner)	117117		
50. Tube Holder, Cast Iron	103992		
51. Venturi Tube	220631		
52. Burner Base, Cast Iron.....	103991		
53. Burner Gasket	220633		
Burner Assembly, Complete	155336		
54. Burner Plate, Stainless Steel	220545		
55. Burner Skirt	220766		
56. Pilot Gasket	129670		
57. Pilot Spacer	220546		
58. Pilot Assembly, NG.....	129471		
Thermopile	3094527		
Thermocouple	129766		
Ignitor	3902573		
59. Screw, #8 x 3/4" sheet metal (2).....	117986		
60. Glass, Ceramic.....	220576		

Accessories

Antique Brick Panel Kit	155648
Variable Speed Blower	155620
Fuel Conversion Kit to Propane.....	155592
Fuel Conversion Kit to Natural Gas.....	155593
High Altitude Kit, NG.....	155810
Spark Screen (not a listed Safety Barrier).....	129174
Wall Thermostat	750003
Remote Control System	750002
Floor Bracket Kit.....	750304
Top Plate Insert, Rear Exit Vent	157724
Torx T20 screwdriver.....	110002
4 mm Allen wrench.....	129646

Jøtul Gas Product Warranty

This warranty policy applies to gas products identified by Jøtul, Scan, and Atra trade names, as set forth below.

A. LIMITED FIVE YEAR WARRANTY - Cast Iron, Steel Doors, Surround Components, Firebox:

Jøtul North America Inc. (JØTUL) warrants, to the original retail purchaser, that those components of the Jøtul, Scan, or Atra Gas Stove or Gas stove specified above will be free of defects in material and workmanship for a period of five (5) years from the date of purchase. This warranty is subject to the terms, exclusions and limitations set forth in the following text.

B. LIMITED TWO YEAR WARRANTY - Burner, Burner Treatments, Firebox Panels:

JØTUL warrants, to the original retail purchaser, that those components of the Jøtul, Scan, or Atra Gas Stove or Gas stove specified above will be free of defects in material and workmanship for a period of two (2) years from the date of purchase. This warranty is subject to the terms, exclusions, and limitations set forth in the following text.

C. LIMITED TWO YEAR WARRANTY - Enamel Finish:

JØTUL warrants, to the original retail purchaser, the enamel finish on cast iron components of the Jøtul Stove or Gas stove Insert specified above against peeling or fading for a period of two (2) years from the date of purchase. This warranty is subject to the terms, exclusions and limitations set forth below.

D. LIMITED ONE YEAR WARRANTY - Gas & Electrical Components (controls, plumbing, valve, blower):

JØTUL warrants, to the original retail purchaser, that those components of the Jøtul, Scan, or Atra Gas Stove or Gas stove specified above will be free of defects in material and workmanship for a period of one (1) year from the date of purchase. This warranty is subject to the terms, exclusions, and limitations set forth in the following text.

JØTUL will repair or replace (including parts & labor), at its option, any of the above components determined by JØTUL to be covered by this warranty. You must, at your own expense, arrange to deliver or ship the component to an authorized Jøtul, Scan, or Atra dealer and arrange for pickup or delivery of the component after repairs have been made. If, upon inspection, JØTUL determines that the component is covered by this warranty, the repair or replacement will be made as set forth above. This warranty is not transferable and is extended only to, and is solely for the benefit of, the original retail purchaser of the Jøtul, Scan, or Atra Gas Stove or Gas stove. This paragraph sets forth the sole remedy available under this warranty in the event of any defect in the Jøtul, Scan, or Atra Gas Stove or Gas stove.

The warranty period for any replaced component will be the remaining unexpired portion of the warranty period for the original component. Please retain your dated sales receipt in your records as proof of purchase.

EXCLUSIONS AND LIMITATIONS

NOTICE: This warranty is void if installation or service is performed by someone other than an authorized installer, service agency or gas supplier, or if installation is not in conformance with the installation and operating instructions contained in this owner's manual or local and/or national fire and building regulations. A listing of local authorized installers, service agencies and gas suppliers can be obtained from the National Gas stove Institute at <http://www.nficertified.org/>.

This warranty does not cover the following:

1) Repair or replacement of parts that are subject to normal wear and tear during the warranty period or to parts that may require replacement in connection with normal maintenance. These parts include gaskets and glass (except to the extent such parts suffer damage from thermal stress).

- 2) Damage due to incorrect installations not in conformance with the installation instructions contained in this owner's manual or local and/or national fire and building regulations.
- 3) Damage due to service performed by an installer, service agency or gas supplier, unless otherwise agreed to in writing by JØTUL.
- 4) Labor or other costs associated with the repair of gas controls, plumbing, burners, log set, or sheet metal firebox beyond the warranty period.
- 5) Damage caused by unauthorized modification, use or repair.
- 6) Damage to enameled surfaces caused by improper operation or misuse, including use that is not in conformance with the operating instructions contained in this owner's manual. Such damage can typically be identified by bubbling, cracking, or discoloration of the enamel finish.
- 7) Costs incurred by travel time and/or loss of service.
- 8) Damage incurred while the Jøtul, Scan, or Atra Gas Stove or Gas stove is in transit.

IN NO EVENT SHALL JØTUL, ITS PARENT COMPANY, SHAREHOLDERS, AFFILIATES, OFFICERS, EMPLOYEES, AGENTS OR REPRESENTATIVES BE LIABLE OR RESPONSIBLE TO YOU FOR ANY SPECIAL, INDIRECT, INCIDENTAL, CONSEQUENTIAL, PUNITIVE OR OTHER SIMILAR DAMAGES, INCLUDING, BUT NOT LIMITED TO, LOST PROFITS, LOST SALES, INJURY TO PERSON OR PROPERTY, OR DAMAGES TO A STRUCTURE OR ITS CONTENTS, ARISING UNDER ANY THEORY OF LAW WHATSOEVER. ALL IMPLIED WARRANTIES, INCLUDING THE IMPLIED WARRANTIES OF MERCHANTABILITY AND FITNESS FOR A PARTICULAR PURPOSE, OR OTHERWISE, ARE LIMITED IN DURATION TO THE LENGTH OF THIS WRITTEN WARRANTY. EXCEPT AS EXPRESSLY SET FORTH HEREIN, JØTUL MAKES NO ORAL, WRITTEN OR OTHER WARRANTY WITH RESPECT TO JØTUL, SCAN OR ATRA GAS STOVES OR Gas stoves.

Some states do not allow the exclusion or limitation of incidental or consequential damages, or limitations on the length of implied warranties. Therefore, the above exclusions or limitations may not apply to you. This warranty gives you specific legal rights, and you may have other rights, which vary from state to state.

JØTUL reserves the right to discontinue, modify or change the materials used to produce the Jøtul, Scan, or Atra Gas Stove or Gas stove. JØTUL shall have the right to replace any defective component with substitute components determined by JØTUL to be of substantially equal quality and price.

The dollar value of JØTUL's liability for breach of this warranty shall be limited exclusively to the cost of furnishing a replacement component. JØTUL shall not in any event be liable for the cost of labor expended by others in connection with any defective component. Any costs or expenses beyond those expressly assumed by JØTUL under the terms of this warranty shall be the sole responsibility of the owner(s) of the Jøtul, Scan, or Atra Gas Stove or Gas stove.

No dealer, distributor, or other person is authorized to modify, augment, or extend this limited warranty on behalf of JØTUL. NO MODIFICATION OR CHANGE TO THIS WARRANTY WILL BE EFFECTIVE UNLESS IT IS MADE IN A WRITTEN DOCUMENT MANUALLY SIGNED BY AN AUTHORIZED OFFICER OF JØTUL.

An authorized installer may have been provided with certain information related particularly to the Jøtul, Scan, or Atra Gas Stove or Gas stove; however, no authorized installer or other person who may service the appliance is an agent of JØTUL. No inference should be made that JØTUL has tested, certified, or otherwise pronounced any person as qualified to install or service the appliance. JØTUL shall not be liable or otherwise responsible for any error or omission by a person installing or servicing a Jøtul, Scan, or Atra Gas Stove or Gas stove.

If you believe your Jøtul, Scan, or Atra Gas Stove or Gas stove is defective, you should contact your nearest authorized Jøtul, Scan, or Atra dealer, who will process a warranty claim. IN ORDER TO QUALIFY FOR WARRANTY COVERAGE, JØTUL MUST RECEIVE NOTICE OF A POSSIBLE DEFECT WITHIN SIXTY (60) DAYS OF THE DATE THE DEFECT IS FIRST DISCOVERED, OR REASONABLY COULD HAVE BEEN DISCOVERED.

This warranty is given by Jøtul North America, Inc.,
55 Hutcherson Drive, Gorham, Maine 04038 USA

LIGHTING INSTRUCTIONS

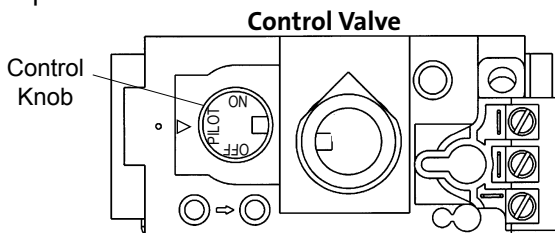
FOR YOUR SAFETY, READ BEFORE LIGHTING.


WARNING:
IF YOU DO NOT FOLLOW THESE INSTRUCTIONS EXACTLY, A FIRE OR EXPLOSION MAY RESULT CAUSING PROPERTY DAMAGE, PERSONAL INJURY, OR LOSS OF LIFE.

- A. This appliance has a pilot which must be lit by hand. When lighting the pilot, follow these instructions exactly.
- B. BEFORE LIGHTING, smell all around the appliance area for gas. Be sure to smell next to the floor because some gas is heavier than air and will settle to the floor.
- WHAT TO DO IF YOU SMELL GAS:
- Extinguish any open flame.
 - Open windows.
 - Do not light any appliance.
 - Do not touch any electrical switches.
 - Do not use any phone in your building.
 - Immediately call your gas supplier from a neighbor's phone.
- If your gas supplier cannot be reached, call the fire department.
- C. Use only your hand to push in or turn the gas control knob. Never use tools. If the knob will not push in or turn by hand, do not try to repair it. Call a qualified technician. Force or attempted repair may result in a fire or explosion.
- D. Do not use this appliance if any part has been under water. Immediately call a qualified service technician to inspect the appliance and to replace any part of the control system and any gas control which has been under water.

LIGHTING INSTRUCTIONS

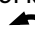
1. STOP! Read the safety information above.
2. Access the lower controls.
3. Turn the stove ON/OFF switch to "OFF", or set the thermostat to lowest setting (if used).
4. Confirm that the gas supply line shut-off valve is open.

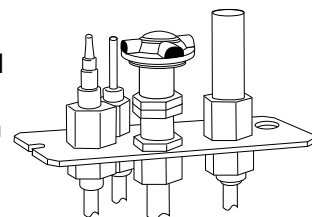


5. Push in gas control knob slightly and turn clockwise  to "OFF".


NOTE: Knob cannot be turned from "PILOT" to "OFF" unless the knob is pushed in slightly. Do not force.

6. Wait five (5) minutes to clear out any gas. If you then smell gas, STOP! Follow "B" in the safety information above on this page. If you do not smell gas, go to the next step.


7. Push in gas control knob slightly and turn counterclockwise  to "PILOT".
8. Push in control knob all the way and hold in. Immediately light the pilot by triggering the spark ignitor (push the red button repeatedly) until pilot lights. Continue to hold the control knob in for about one minute after the pilot lights. Release knob and it should spring back. The pilot should remain lit. If it goes out, repeat Steps 5 through 8.



Pilot Assembly

- If knob does not return when released, stop and immediately call your service technician or gas supplier.
 - If pilot will not stay lit after several tries, turn the control knob to OFF and call your service technician or gas supplier.
9. Turn gas control knob counterclockwise  to "ON".
 10. Turn the stove ON/OFF switch to "ON", or set thermostat (if used) to desired temperature.

TO TURN OFF GAS TO THE APPLIANCE:

1. At the rear of the stove, place the rocker switch to "OFF". The pilot will remain lit for normal service.
2. To turn off the pilot, access the lower controls.
3. Depress gas control knob slightly and turn clockwise  to "OFF". Do not force.
4. To shut down completely, turn the supply line gas cock to the OFF position.

December 2017
137945-N

This appliance must be installed in conformance with local and national building regulations. Before beginning the installation, it is important that these instructions be carefully read and understood. Jøtul maintains a policy of continual product development. Consequently, products may differ in specification, color or type of accessories from those illustrated or described in various publications.



Jøtul AS
P.O. Box 1411
N-1602 Fredrikstad
Norway

Jøtul North America
55 Hutcherson Drive
Gorham, Maine 04038-2634

www.jotul.us