

# BIRCHWOOD 20 & OAKPORT 18

FREE-STANDING GAS STOVES



Birchwood 20 shown with an Arched Mission screen front, Traditional Brick refractory, and standard Traditional Legs.

QUALITY FIREPLACES FOR LIFE.

KOZY  HEAT  
FIREPLACES

Oakport 18 shown with a Standard screen front and Black Glass refractory



## FREESTANDING SERIES

### Safety Screen Fronts



**Rectangle Full Screen Front**  
*Birchwood Only*  
with Traditional Brick refractory



**Antique Copper**  
with Black Glass refractory  
*Available in Antique Copper, Brushed Nickel*



**Prairie Screen Front**  
*Birchwood Only*  
with Black Glass refractory



**Arched Mission Screen Front**  
*Birchwood Only*  
with Masonry refractory



**Prairie Design Overlay**  
*Oakport Only*  
with Black Glass refractory



**Arched Prairie Design Overlay**  
*Oakport Only*  
with no refractory

Birchwood 20 shown with a Rectangle screen front, Black Glass refractory, optional Contemporary base and optional tile frame kit (tile not included)



## Base Options



Traditional Legs (Standard)



Pedestal Base  
*(Birchwood Only)*  
Optional 1/2" Thick (4) Tile Size: 12 x 10-3/4"



Contemporary Base  
*(Birchwood Only)*  
Optional 1/2" Thick (6) Tile Size: 12 x 12"

## Burn Video



Birchwood 20



Oakport 18

## Remotes

*(Optional on Birchwood 20 LE/MV & Oakport 18)*



Thermostat Remote or  
Deluxe On/Off Remote



Wired or Wireless Wall  
Mount Thermostat



Wireless wall switch

## Komfort Kontrol Remote

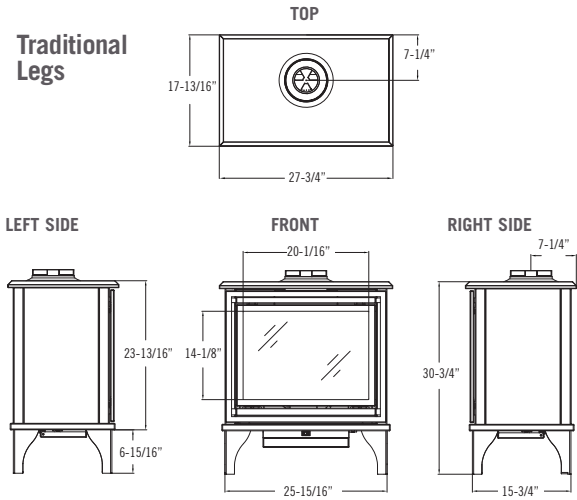
*Standard with the Birchwood 20 L*



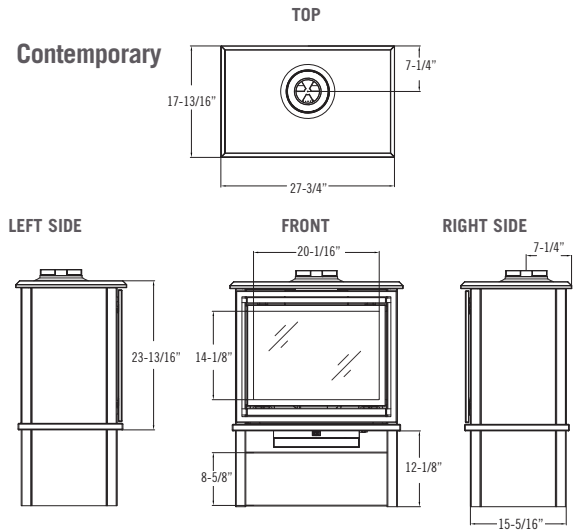
  
KOMFORT KONTROL

## Birchwood 20

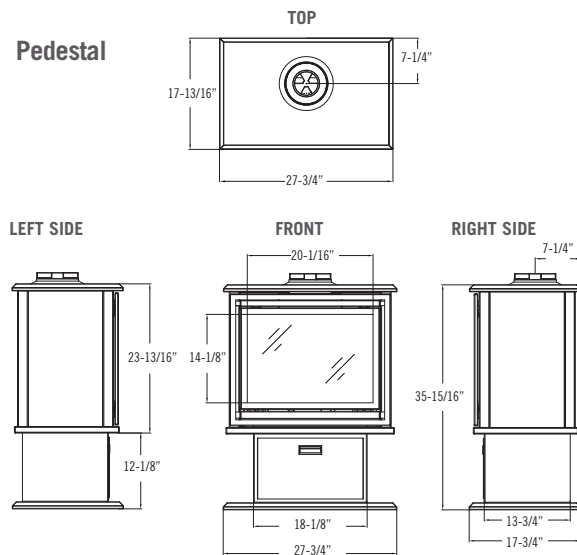
### Traditional Legs



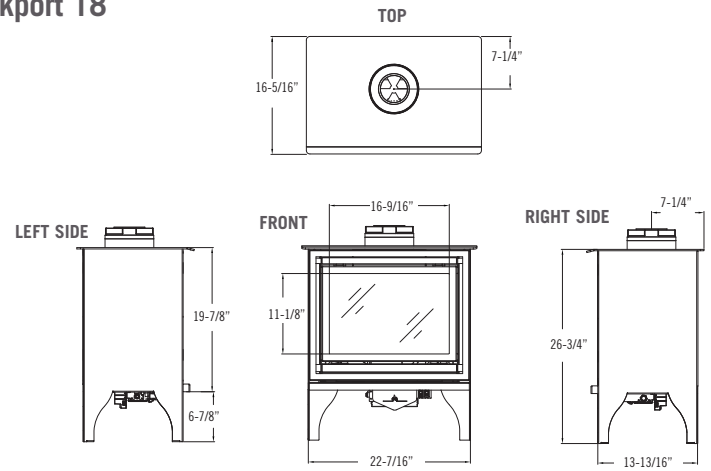
### Contemporary



### Pedestal



## Oakport 18



### Clearances

Model	Birchwood 20	Oakport 18
From appliance top corners to side wall	1"	1"
From appliance top to back wall	5"	5"
From appliance top to ceiling	35-3/4"	37-1/4"
From top of horizontal pipe surface to ceiling	3-1/8"	3-1/8"

Model	Birchwood 20	Oakport 18
<b>Height</b>		
Traditional Legs	30-3/4"	26-3/4"
Pedestal & Contemporary Base	35-15/16"	N/A
<b>Width</b>		
Traditional Legs	25-15/16"	22-7/16"
Pedestal & Contemporary Base	27-3/4"	N/A
<b>Depth</b>	17-13/16"	16-5/16"
<b>Weight</b>	155 lbs.	114 lbs.
<b>Viewing Area</b>	14-1/8" x 20-1/16"	11-1/8" x 16-9/16"
<b>BTU NG High / Low</b>	32,500 / 15,750	24,500 / 15,500
<b>BTU LP High / Low</b>	32,500 / 15,750	24,500 / 19,000
<b>ENERGUIDE P.4 NG / LP</b>	64.08% / 64.57% 62.92% / 63.88% (MV)	71.71% / 75.58% 70.54% / 73.39%
<b>Steady State NG / LP</b>	69.44% / 65.16%	77.95% / 80.27%
<b>AFUE % NG / LP</b>	59.96% / 59.94%	75.95% / 77.73%
<b>Ceramic Glass</b>	Standard	Standard
<b>Valve System</b>	IPI / LE / MV	LE / Millivolt
<b>Standard Base</b>	Traditional Legs	Traditional Legs
<b>Optional Bases</b>	Pedestal & Contemporary	N/A
<b>Optional Refractory</b>	Traditional Brick, Masonry, Black Glass	Black Glass
<b>Tile Frame Kit</b>	Optional	N/A
<b>Fan Kit</b>	L – Included LE – Optional MV – Optional	Optional
<b>Screen Front</b>	Required	Included

Features, Options & Specifications are subject to change.

### Each unit factory tested

Certified to ANSI Z21.88 Vented Gas Heaters

Refer to the installation manuals for complete installation & venting requirements. See additional mantel clearance configurations in the installation manual.

In order to continually provide the highest quality product available, features/options, specifications & dimensions are subject to change. Refer to the unit installation manual for complete installation instructions. Installation must conform with local building codes. **In some regions it may be possible that this appliance qualifies for an energy rebate. See your local dealer for details regarding promotions and qualifications.**

Manufactured by Husson Mfg. Co., Inc.  
204 Industrial Park Road, Lakefield, MN 56150  
Phone 1-800-253-4904 www.kozyheat.com

2-20



Product Line:



For complete information on the Kozy Heat product line, please contact us at:

FOR CALIFORNIA RESIDENTS ONLY  
⚠ California Proposition 65 Warning

**WARNING:** This product can expose you to chemicals including Carbon Monoxide, that is an externally vented by-product of fuel combustion, which is [are] known to the State of California to cause birth defects or other reproductive harm. For more information, visit [www.P65Warnings.ca.gov](http://www.P65Warnings.ca.gov).