

SUPER 27 LE SUPER CLASSIC LE

Freestanding stove for heating medium spaces

Heat Output Cord Wood

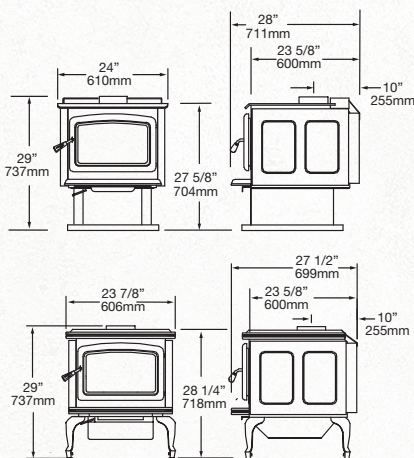
72,000 BTU

38,200 BTU EPA Test Fuel

Efficiency (HHV)	71.3%
Emissions	1.8 gm/hr.
Log Size (recommended)	16"
Log Size (max)	18"
Firebox Size	2.1 cu.ft.
Glass Viewing Area	122 sq.in.

Weight

Super 27 LE	355 lb.
Super Classic LE	340 lb.



SUPER 27 LE

Easy to light, easy to operate, and easy to maintain – the Super 27 LE is our most popular stove and offers industry-leading performance and reliability thanks to its exceptional catalytic-free design. With superior Extended Burn Technology (EBT), an incredible list of standard features, and a limited lifetime warranty, the Super 27 LE marks the gold standard for heating spaces up to 2000 square feet.

SUPER CLASSIC LE

Enjoy all the outstanding features, high efficiency, and long burn time of the Super firebox beautifully clad in lustrous porcelain enamel. The Super Classic LE delivers Pacific Energy's proven heating performance with your choice of elegant porcelain enamel, door, leg and trivet finishes.



CATALYTIC-FREE TECHNOLOGY

MORE DURABLE

MORE RELIABLE

EASIER TO OPERATE

EPA 2020 CERTIFIED

2
GRAMS
PER
HOUR
OR LESS

FEATURES

- EPA 2020 Certified
- Reliable, Durable Catalytic-Free Technology
- Extended Burn Technology (EBT)
- Airwash Technology for clear, clean glass
- Floating firebox for extended stove life
- 304 Stainless Steel Baffle, insulation cover, rails and flame shield
- Boost air for easy lighting
- Single-lever air control
- Metallic black finish (Super 27 LE)
- Heavy plate-steel top
- Inside and outside combustion air capable
- Mobile home approved
- North-South loading

DESIGN OPTIONS

- SUPER 27 LE – Steel Stove**
 - Pedestal base
 - Legs: choice of three finishes
 - Arched door: choice of three finishes
- SUPER CLASSIC LE – Porcelain Enamel**
 - Porcelain enamel: choice of three colors
 - Legs: choice of three finishes
 - Arched door: choice of three finishes
 - Decorative trivet: choice of two finishes

PERFORMANCE OPTIONS

- Temperature-Actuated Variable-Speed Blower
- Easy-to-use ash disposal system (optional on Super 27 LE; included with Super Classic LE)



Metallic Black

Ebony

Ivory

Sunset Red

WWW.PACIFICENERGY.NET

For reference only. Installations should be based on installation manuals. Specifications subject to change.