

SUMMIT INSERT LE

PREMIUM CATALYTIC-FREE
WOOD INSERT

**PACIFIC
ENERGY**

CATALYTIC-FREE TECHNOLOGY

✓ MORE DURABLE

✓ MORE RELIABLE

✓ EASIER TO OPERATE



FOR HEATING LARGE SPACES



Heat Output Cord Wood

99,000 BTU

41,275 BTU EPA Test Fuel

Efficiency (HHV)	74%
Emissions	1.8 gm/hr.
Log Size (recommended)	18"
Log Size (max)	20"
Firebox Size	3.0 cu.ft.
Glass Viewing Area	153 sq.in.

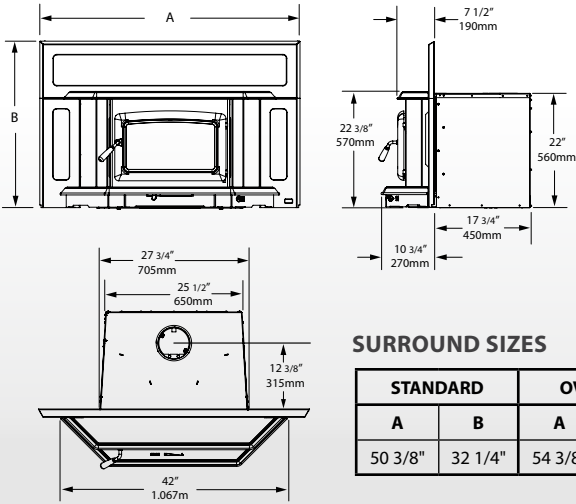


For heating large spaces with a masonry fireplace, the Summit Insert with its breakthrough catalytic-free technology is the perfect solution.

- EPA 2020 Certified
- Reliable, Durable Catalytic-Free Technology
- Extended Burn Technology (EBT)
- Air wash system for super clean ceramic glass
- Floating firebox for extended stove life
- 304 Stainless Steel Baffle, insulation cover, rails and flame shield
- Boost air for easy lighting
- Single-Lever Air Control
- Rich Metallic black finish
- Cast iron warming shelf & ash lip
- Inside and outside combustion air capable
- Easy and safe front to back fuel loading
- Two 80 cfm temperature-actuated variable-speed blowers
- North-South loading



PRODUCT DIMENSIONS



SURROUND SIZES

STANDARD		OVERSIZE	
A	B	A	B
50 3/8"	32 1/4"	54 3/8"	34 1/4"

Design Options

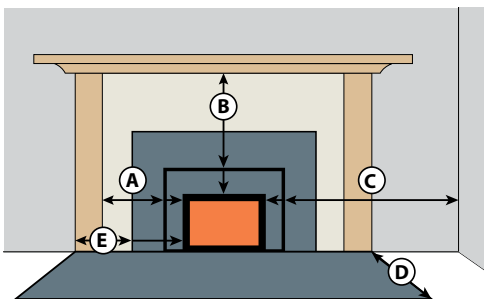
- Arched door: choice of three finishes
- Embossed Surround, Standard Size (50 3/8" x 32 1/4")
- Embossed Surround, Oversize (54 3/8" x 34 1/4")



Pacific Energy Traditional Inserts are customizable in your choice of door finishes. Available in Nickel, Metallic Black and Brushed Nickel.

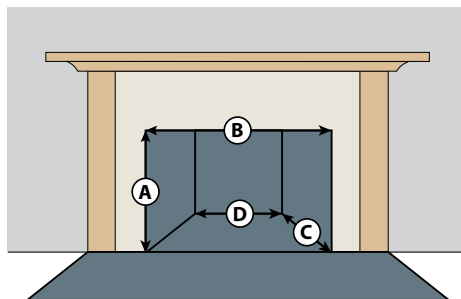


CLEARANCES TO COMBUSTIBLES



A	B	C	D (Can)	D (USA)	E
8"	15"	8"	18"	16"	8"

MINIMUM FIREPLACE OPENING



A	B	C	D
22 1/2"	28 1/4"	19"	26 1/4"



pacificenergy.net

Pacific Energy is committed to continuous product improvement and innovation. As a result, appearance and specifications of the products featured in this brochure are subject to change without notice. For more information, please visit pacificenergy.net